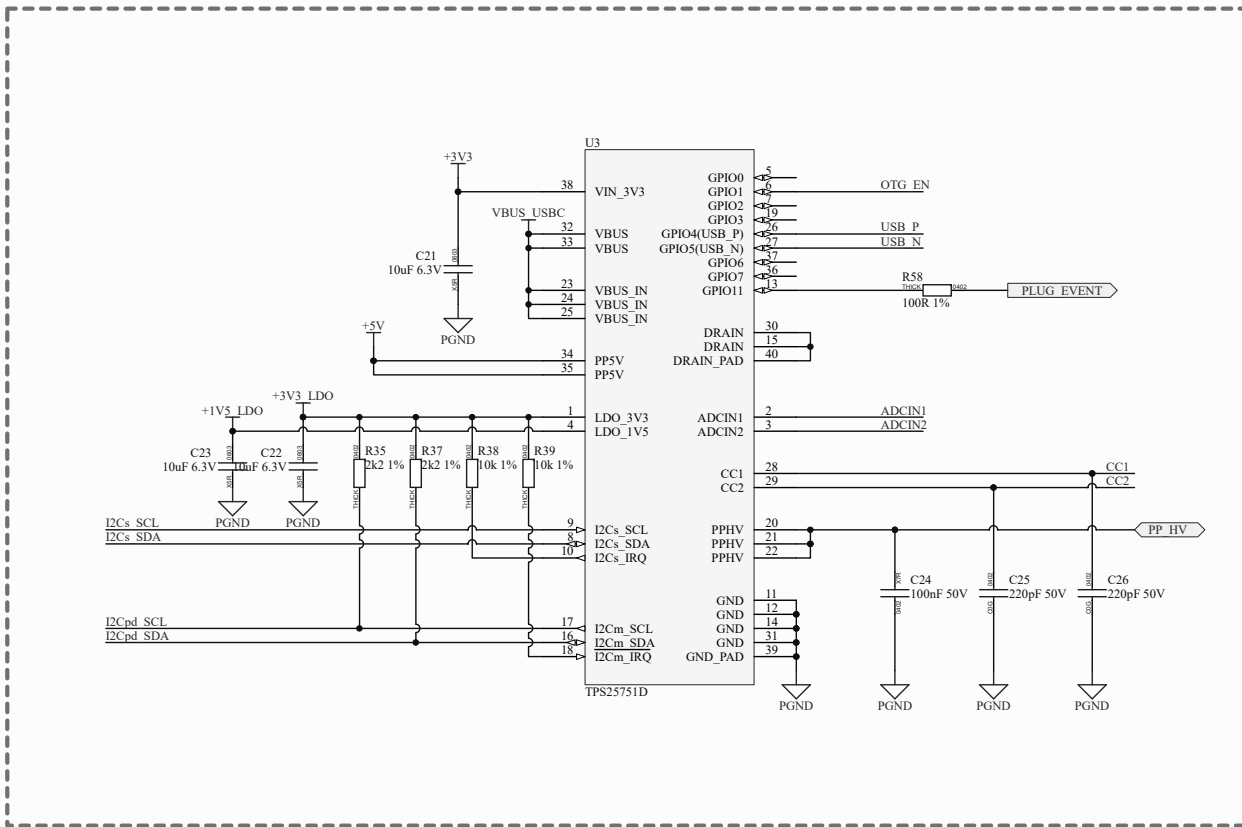
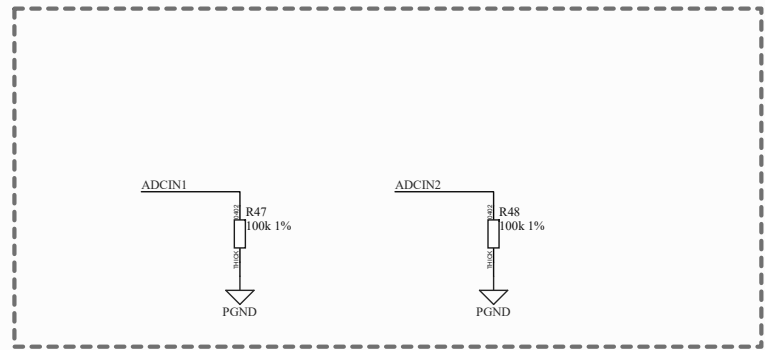


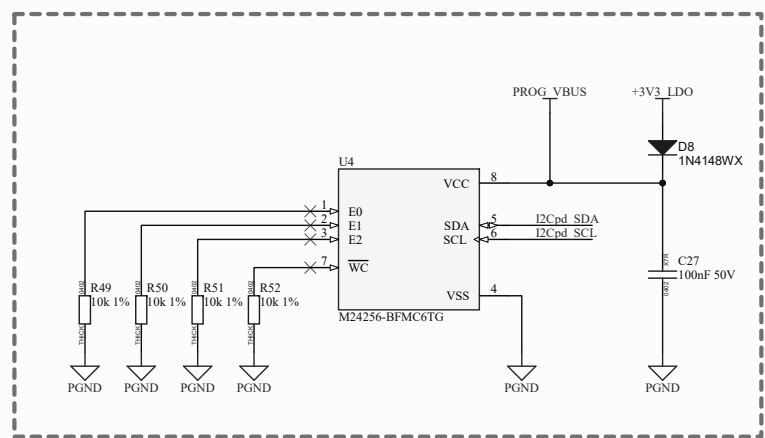
USBC Negotiator



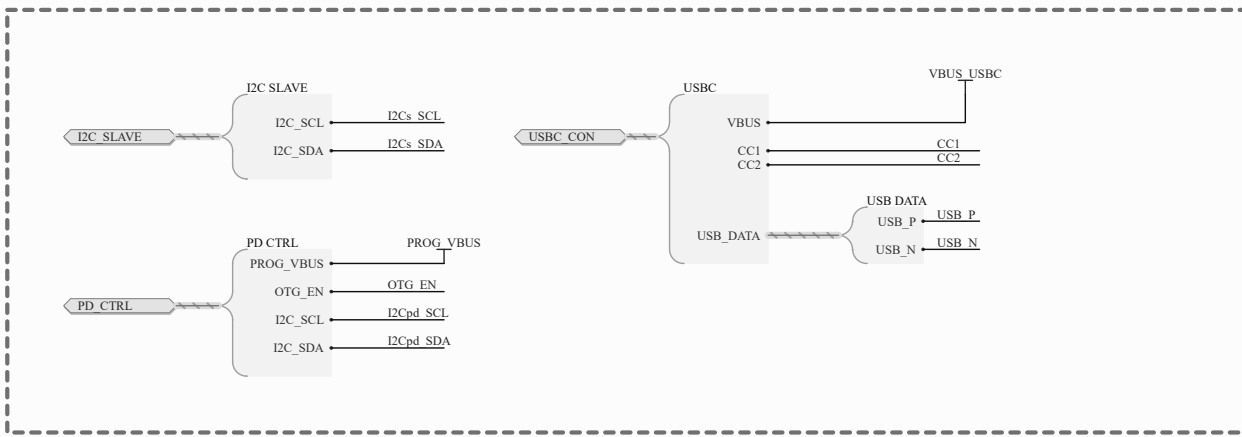
Negotiator Configuration Resistors



Configuration EEPROM



Harness



Title *			*
Size: A3	Number:*	Revision:*	*
Date: 09/12/2024	Time: 09:10:18	Sheet* of *	*
File: USB-C Negotiation.SchDoc			

