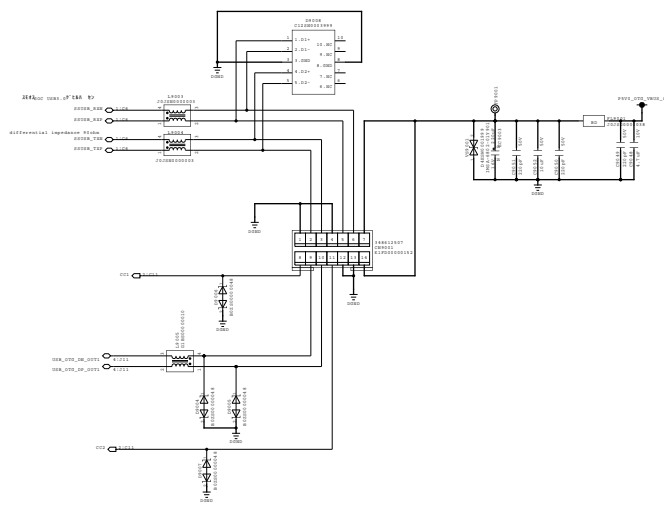
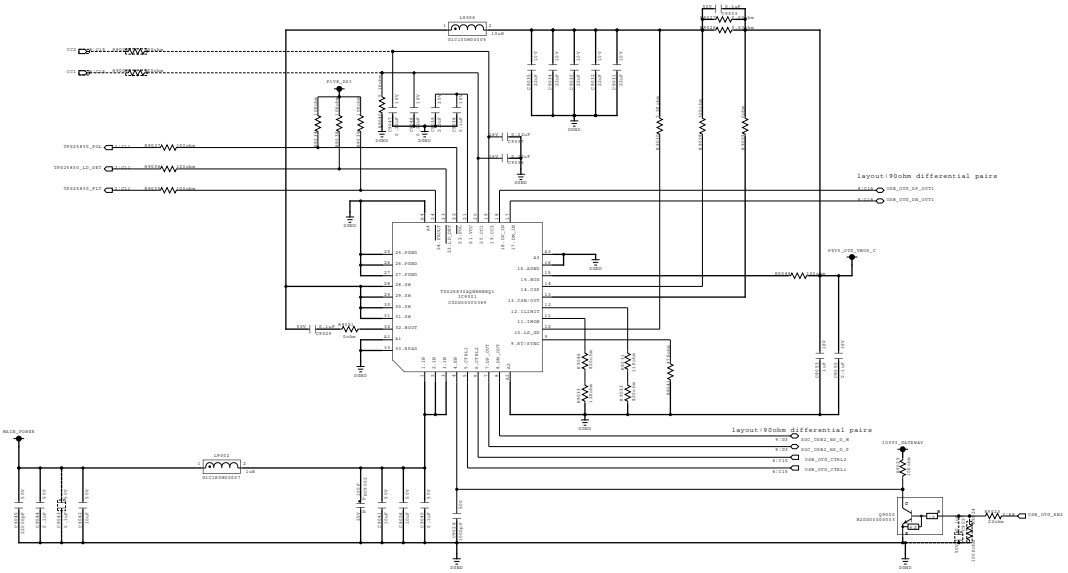
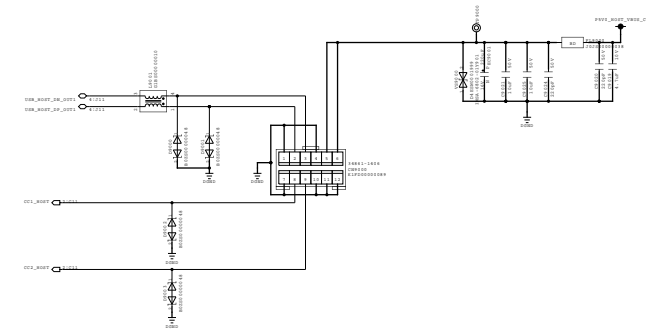
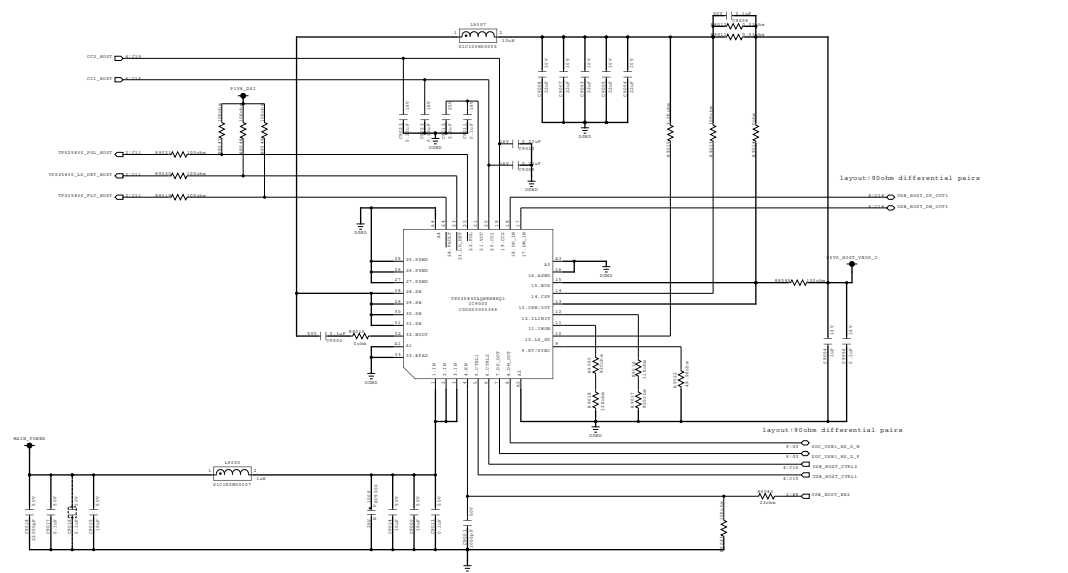


TYPE C USB 3.0



TYPE C USB 2.0



Unit:mm	Material & Size	Process	Remark	Type	@Type
Scale	Design	Drawn	Checked	Approved	DWG Name
					DESIGN PART NO.