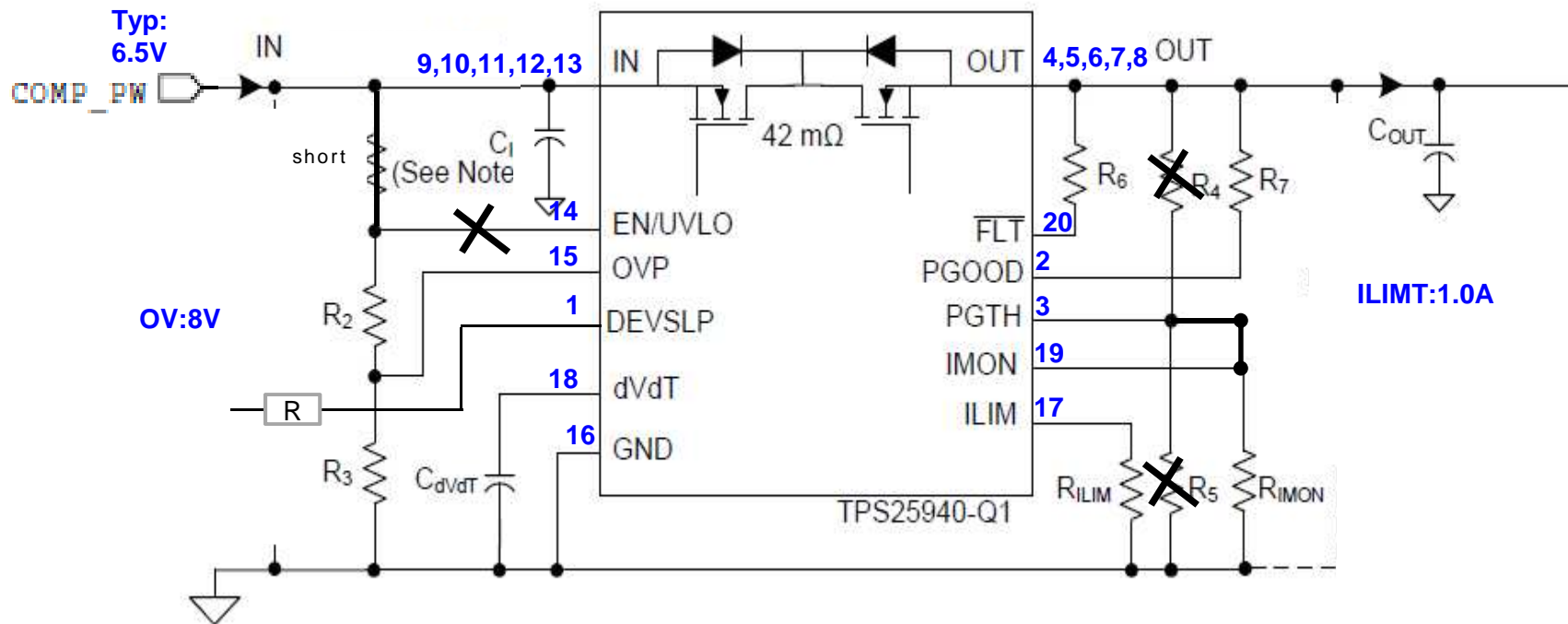


TPS25940-Q1



Copyright © 2016, Texas Instruments Incorporated

They will use PGOOD as over current FLAG(1A).

When they detect over current FLAG, they will shutdown this part using with EN.