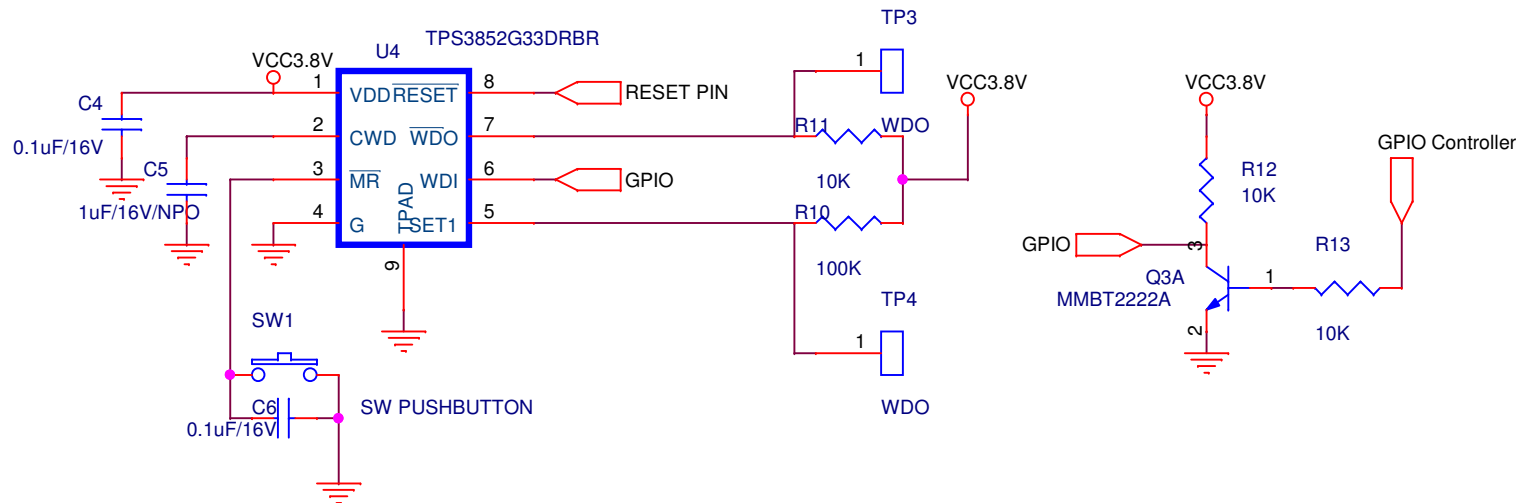


Add via's under the TPAD and unmask on the both layers to solder it from bottom side



Title		Title		Rev		Rev	
<Title>		<Title>		<Rev Code>		<Rev Code>	
Size A	Document <Doc>	Size A	Document Number <Doc>	Rev <Rev Code>		Rev <Rev Code>	
Date: Monday, November 19, 2018				Date: Monday, November 19, 2018		Sheet 1 of 1	