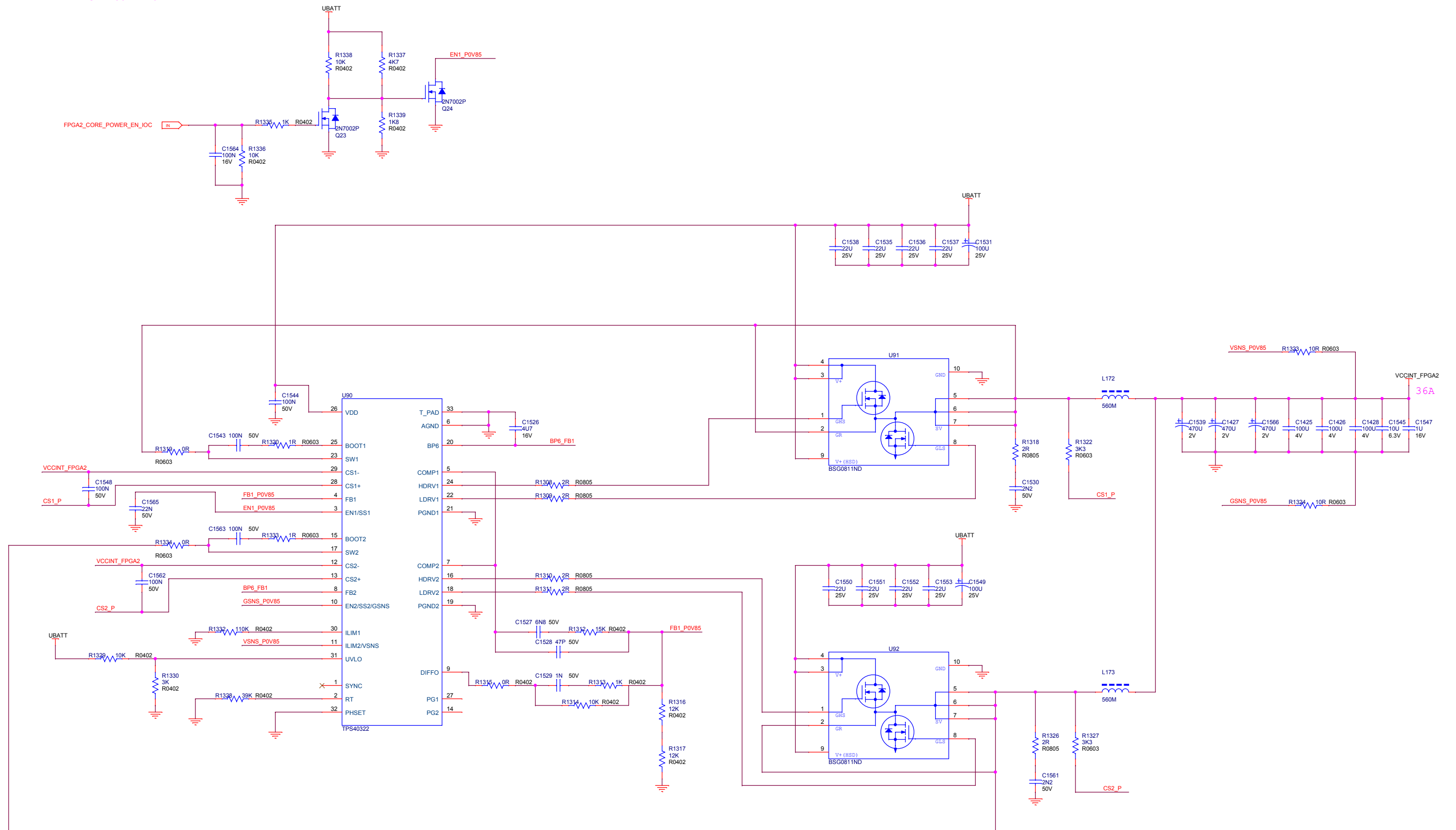


FPGA2 CORE POWER



Rev.	Type of change	Date of change	auth.	checked
Design	FPGA_PLATFORM			
Title	ZU15EG2-POWER DCDC-CORE POWER			Author <Author>
Size	Document Part Number	Sample	Variant	?
Date:	Friday, June 08, 2018	Sheet	63	of 66