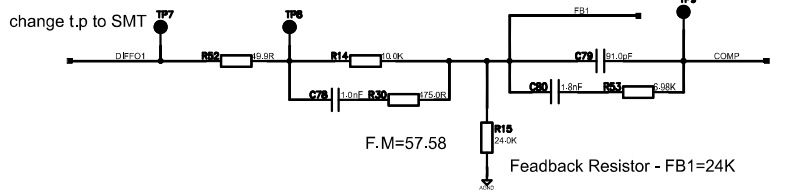
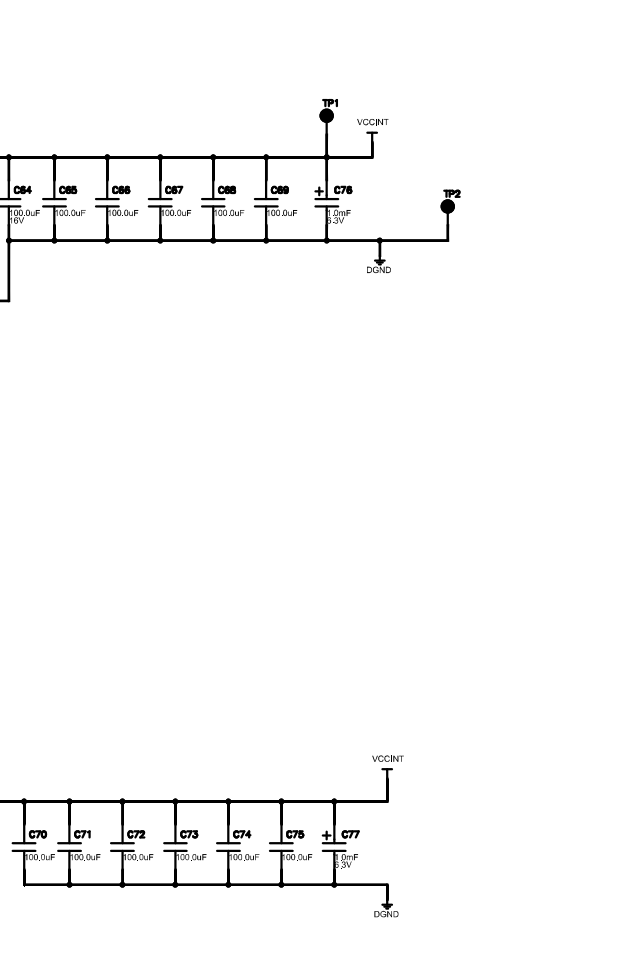
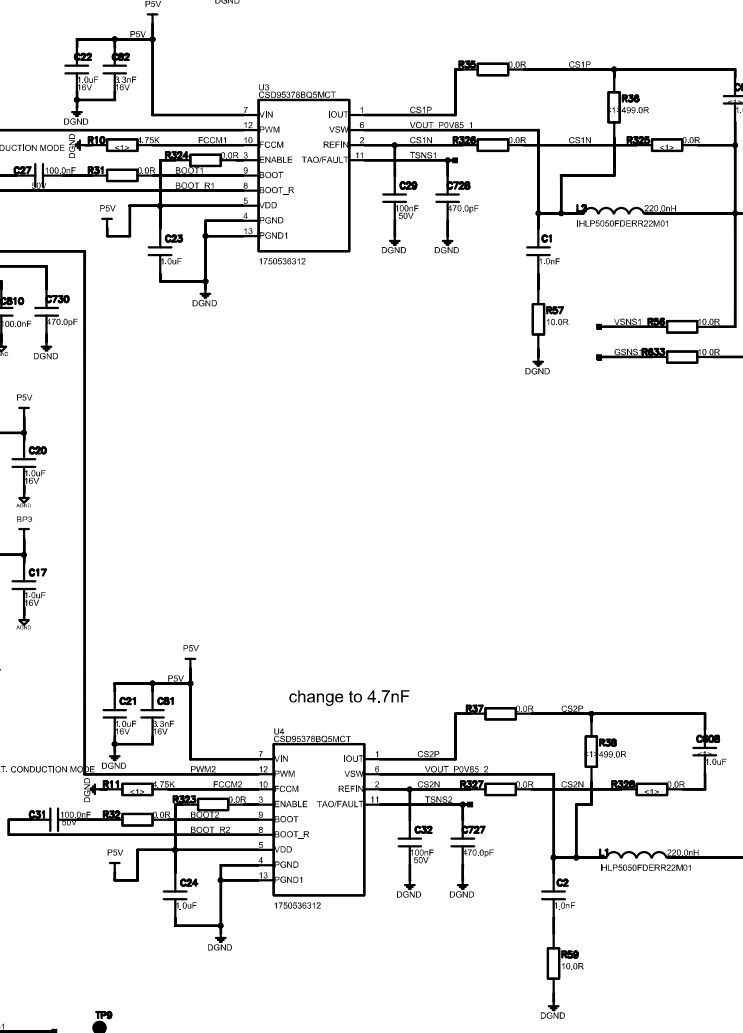


5V --> 0.85V (60A/27A)

Fsw = 500KHz  
 SS\_TIME = 2.7msec  
 UVLO = 3.135V  
 Imax = 60A  
 Vout, real = 0.799 \* (1 + (1.43k / Rset)) = 0.858V  
 Pd(max) = (125-85)/27.8 = 1.43W

Fsw = 1MHz  
 Vout = 0.81 \* (60.4k / 121k) = 0.899(V)  
 Iout (expected) = 1.8(A)  
 Iout(max (possible)) = 2.5k2 = 5(A)

P(p) = Pin - Pout = 1.62(0.79 - 1.62) = -0.43W  
 Tj = Ta + (Pdq/Qja) = 85 + (0.43k22) = 94.5 C  
 SS\_TIME = 7msec



		TITLE	
COPYRIGHT PROTECTED		P.N.	SHT OF
SIZE A2	CLASS UNCLASSIFIED	DRAWING NO.	REV