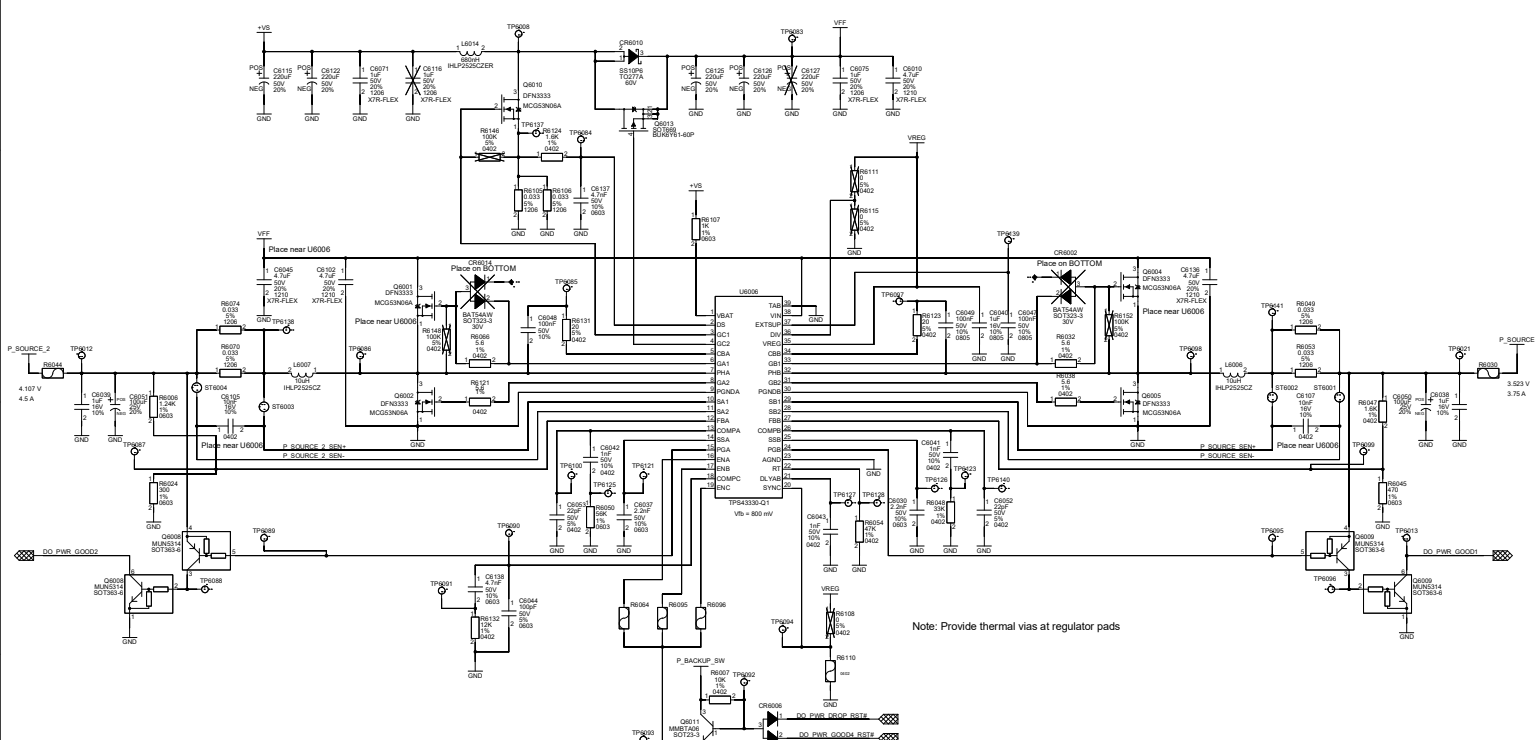


SUPPLY_HV_SOURCE



Note: Provide thermal vias at regulator pads

 BENKACENTER HIROSHIMA JAPAN	Customer: MAZDA	Project: EL IN MAZ J78
	Drawing Title: SCHEMATIC MAZDA-CMU-J78	
	Drawing No: VPGALF-14B115-JB	Doc. Page: 25 OF 36
	Block Title: 60_POWER_SUPPLIES	Block Page: 3 OF 4