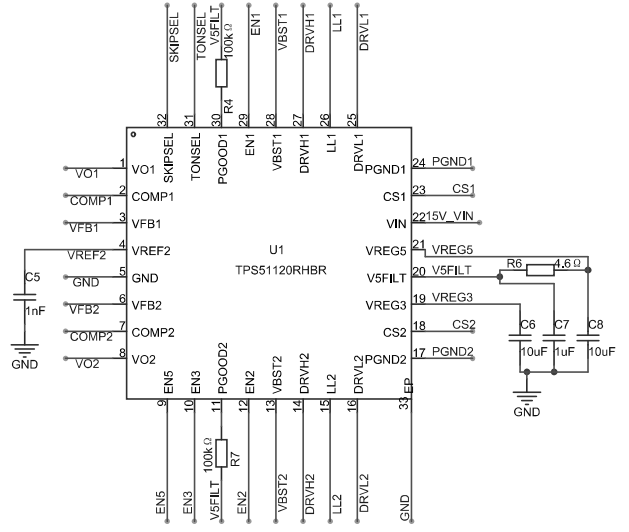
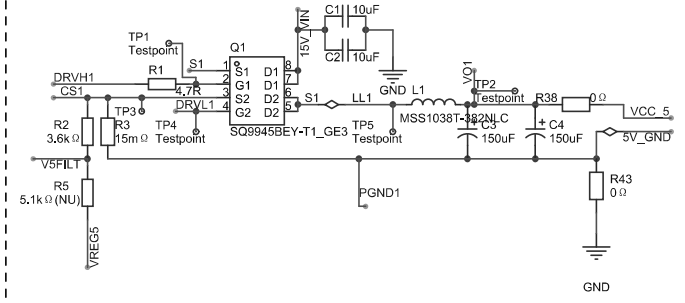
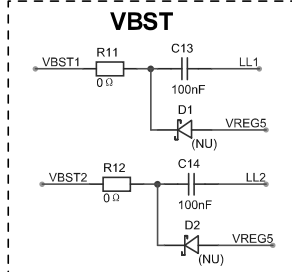
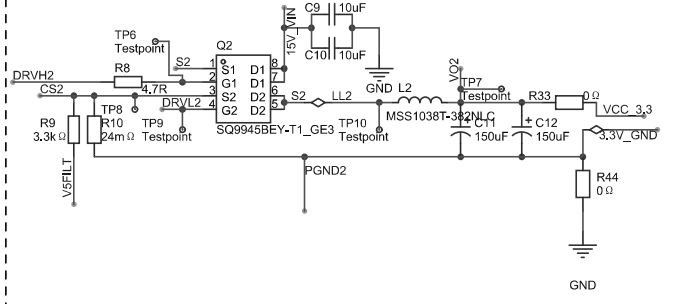


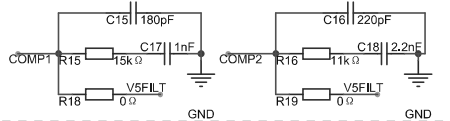
### 5V\_DRIVE



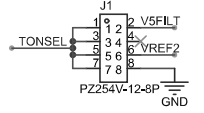
### 3.3V\_DRIVE



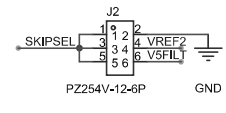
### C-MODE/D-MODE



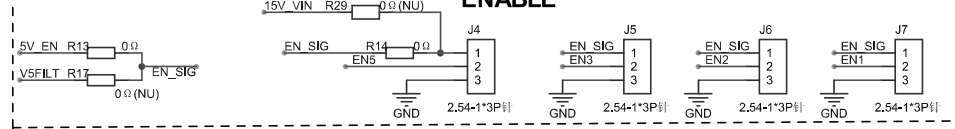
### TONSEL



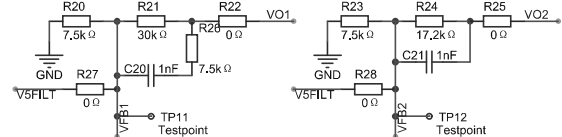
### SKIPSEL



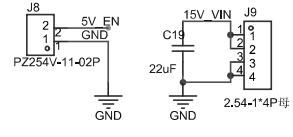
### ENABLE



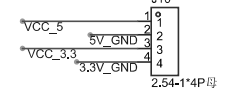
### ADJ\_V\_VFB



### EN AND VIN



### VOUT



POWER_SUPPLY		Update Date	2023-04-20
P1		Create Date	2023-04-05
Part Number		462-E-	
Schematic	TPS51120		
Page	1 OF 2		
Drawn	SAIPRAKASH..C.J		
Reviewed	NITIN CHAWAN		
VER	SIZE	PAGE 1 OF 2	
VO.1	A3	BPL Medical Technologies	