

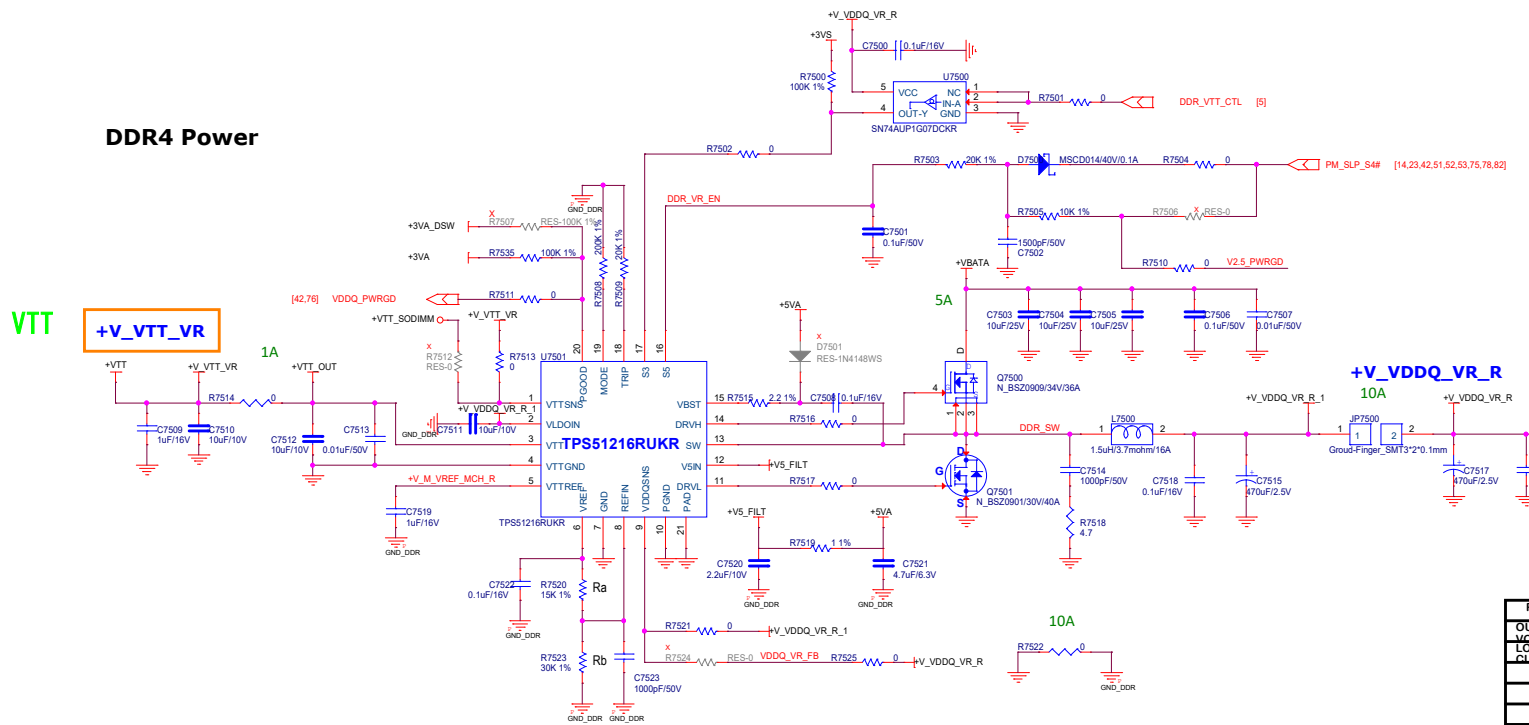
# DDR4 Power

VTT

+V\_VTT\_VR

VDDQ

DDR4/VDDQ\_MEM(1.2V)

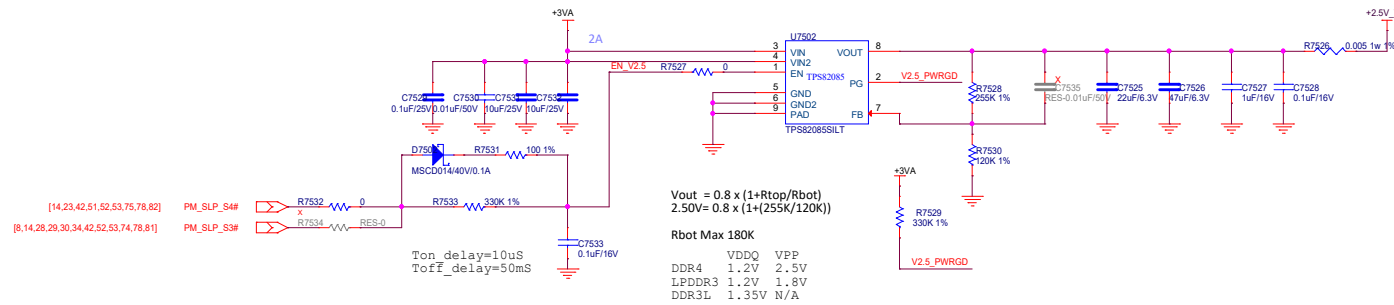


PARAMETER	SETTING
OUTPUT VOLTAGE	1.2V
LOAD CURRENT	10A
OC	15A
FREQUENCY	1.0MHZ
SOFT START	0.4ms

VPP

+V1.8U\_2.5U\_MEM

2A



$V_{out} = 0.8 \times (1 + R_{top}/R_{bot})$   
 $2.50V = 0.8 \times (1 + (255K/120K))$   
**Rbot Max 180K**  
 VDDQ VPP  
 DDR4 1.2V 2.5V  
 LPDDR3 1.2V 1.8V  
 DDR3L 1.35V N/A

[14,23,42,51,52,53,75,78,82] PM\_SLP\_S4#  
 [8,14,28,29,30,34,42,52,53,74,78,81] PM\_SLP\_S3#

Ton\_delay=10uS  
 ToFF\_delay=50mS