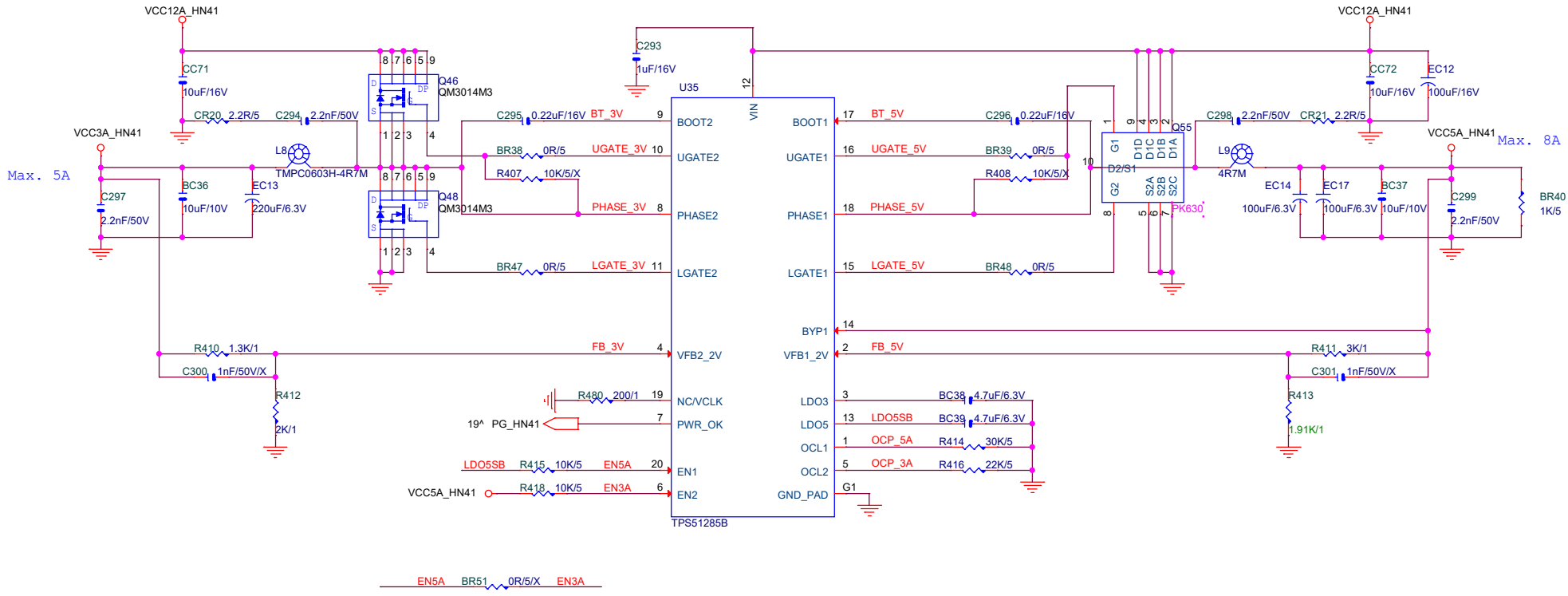


- 18,19^ VCCIN\_HN41
- 13,15,16,17,18,19^,22,23,24,28 VCC12\_HN41
- 16,19^,21,28,30 VCC5A\_HN41
- 4,6,7,8,10,13,16,19^,20,22,24,30 VCC3A\_HN41
- 19^ VCC12A\_HN41



<b>SEAVO TECHNOLOGY CO., LTD.</b>		
Title		
<b>HN41: TPS51220+TPS61089_5V/3V/12V</b>		
Size	Document Number	Rev
B	<b>SkyLake U</b>	<b>0.0</b>
Date:	Monday, March 08, 2021	Sheet 28 of 29