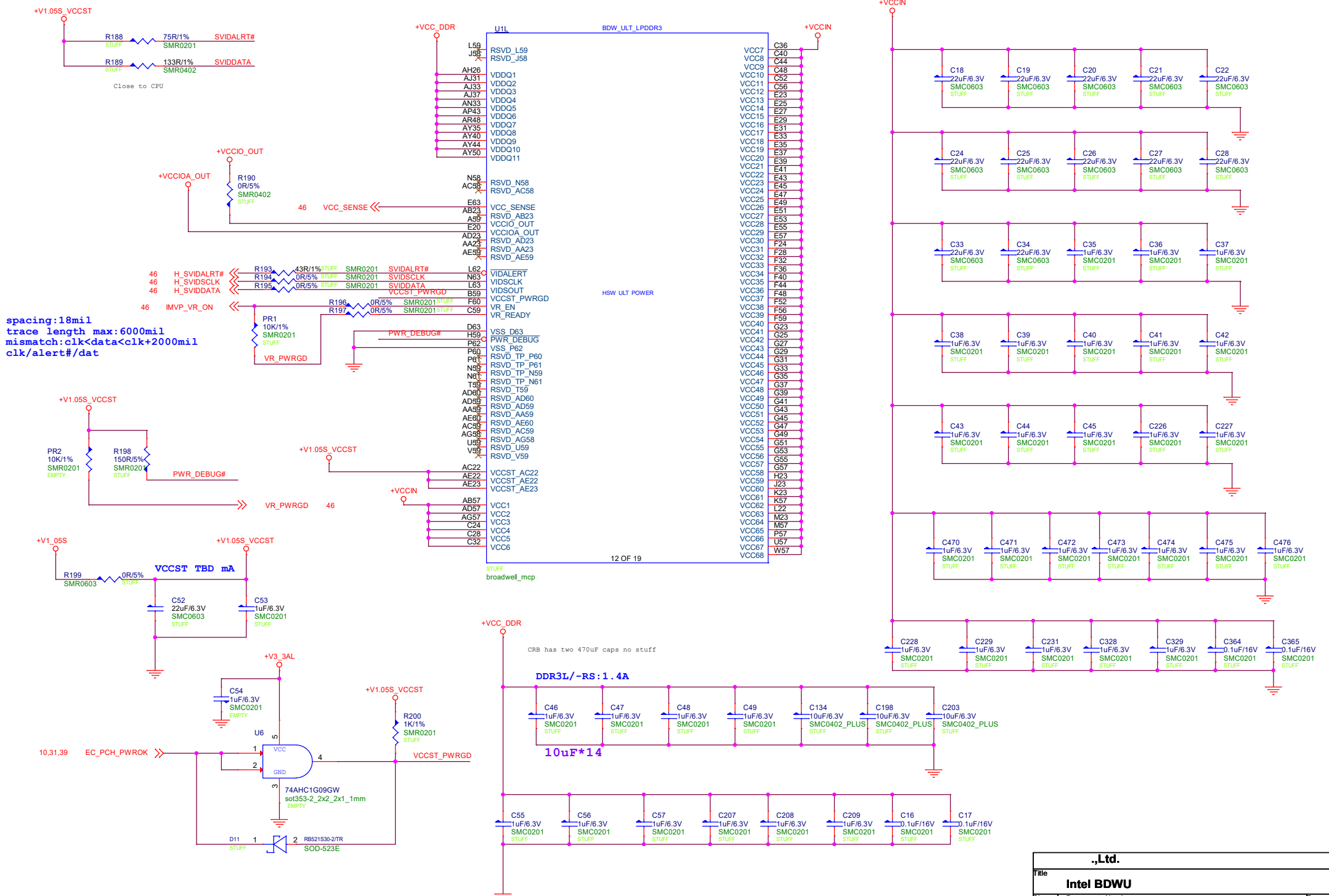


Check list use 120 CRB 75
Intel confirm 120 Ohm

Empty strong pull-up resistors on JTAG
reduce static power

.,Ltd.		
Title Intel BDWU		
Size	Document Number	Rev
XX		V1
Date:	Monday, October 12, 2020	Sheet 8 of 49



spacing:18mil
 trace length max:6000mil
 mismatch:clk<data<clk+2000mil
 clk/alert#/dat

CRB has two 470uF caps no stuff

.,Ltd.		
File Intel BDWU		
Size	Document Number XX	Rev V1
Date:	Monday, October 12, 2020	Sheet 13 of 49

