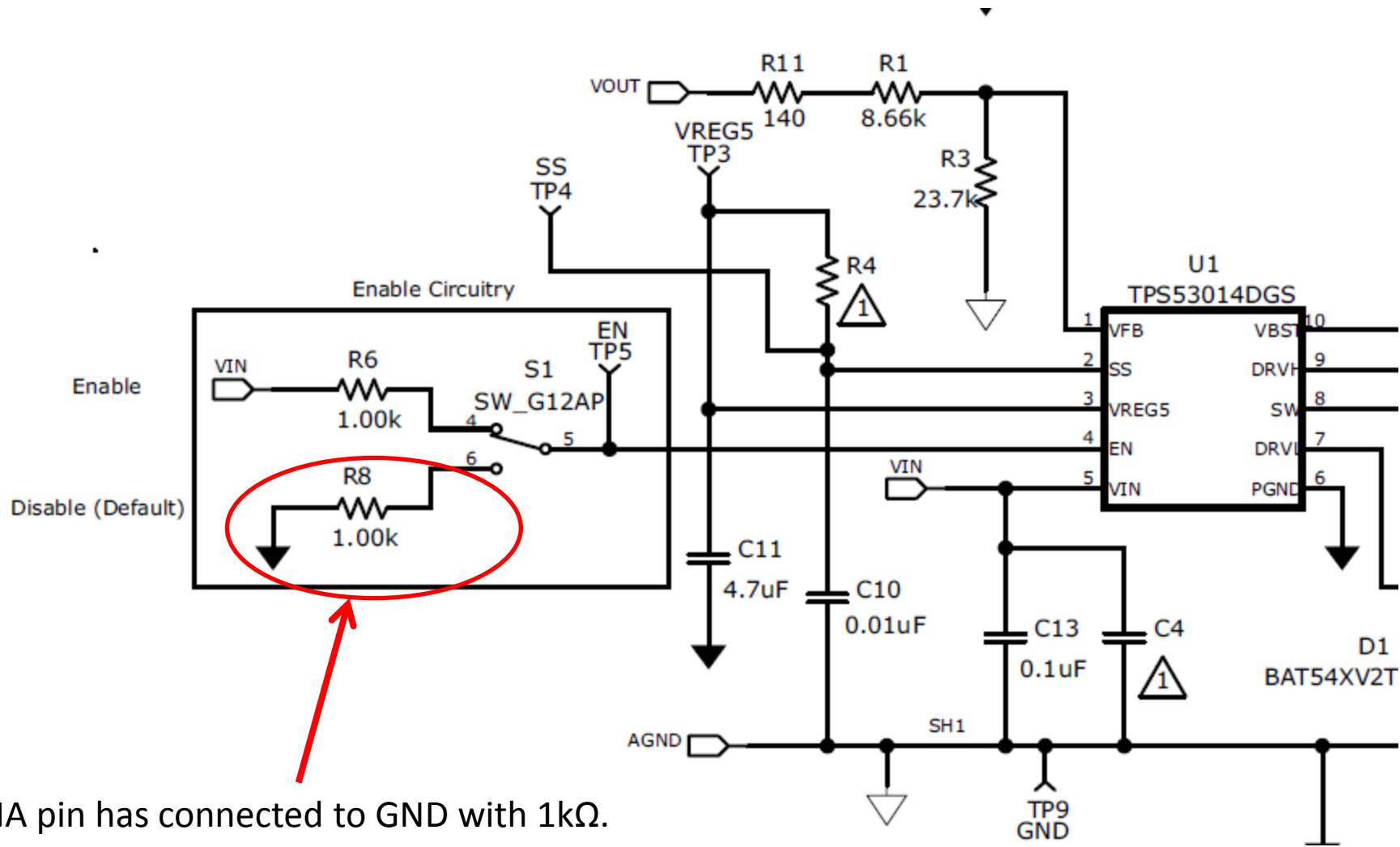
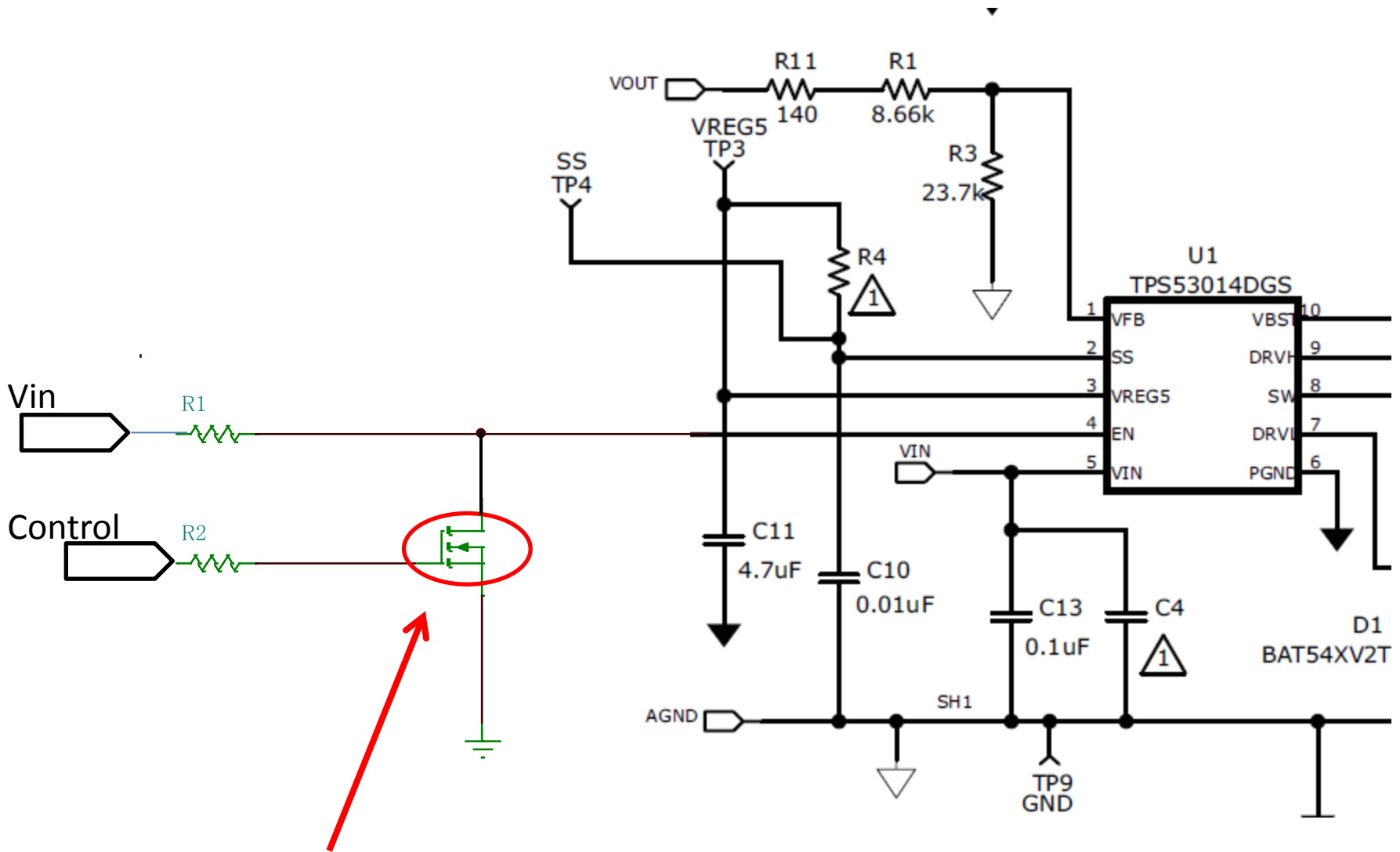


TPS53014EVM Schematic



ENA pin has connected to GND with 1kΩ.

TPS53014EVM Schematic



If ENA pin has connected to directly GND with MOSFET, It will not be a problem?