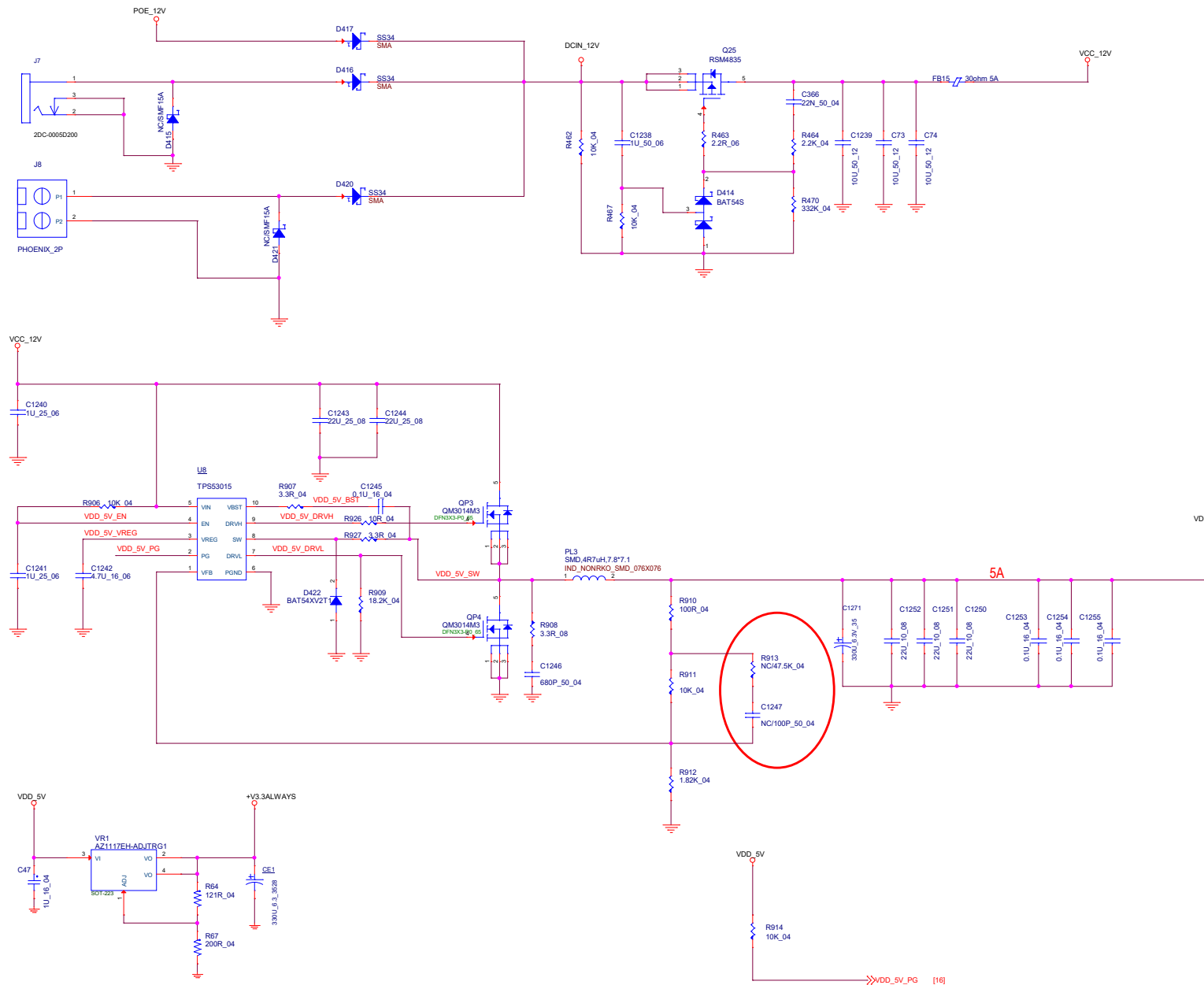


DC JACK 12V AND System 5V



| | | |
|-------|--------------------------|----------------|
| Title | <Title> | |
| Size | Document Number | Rev |
| C | <Doc> | <RevCode> |
| Date: | Wednesday, June 17, 2020 | Sheet 10 of 23 |