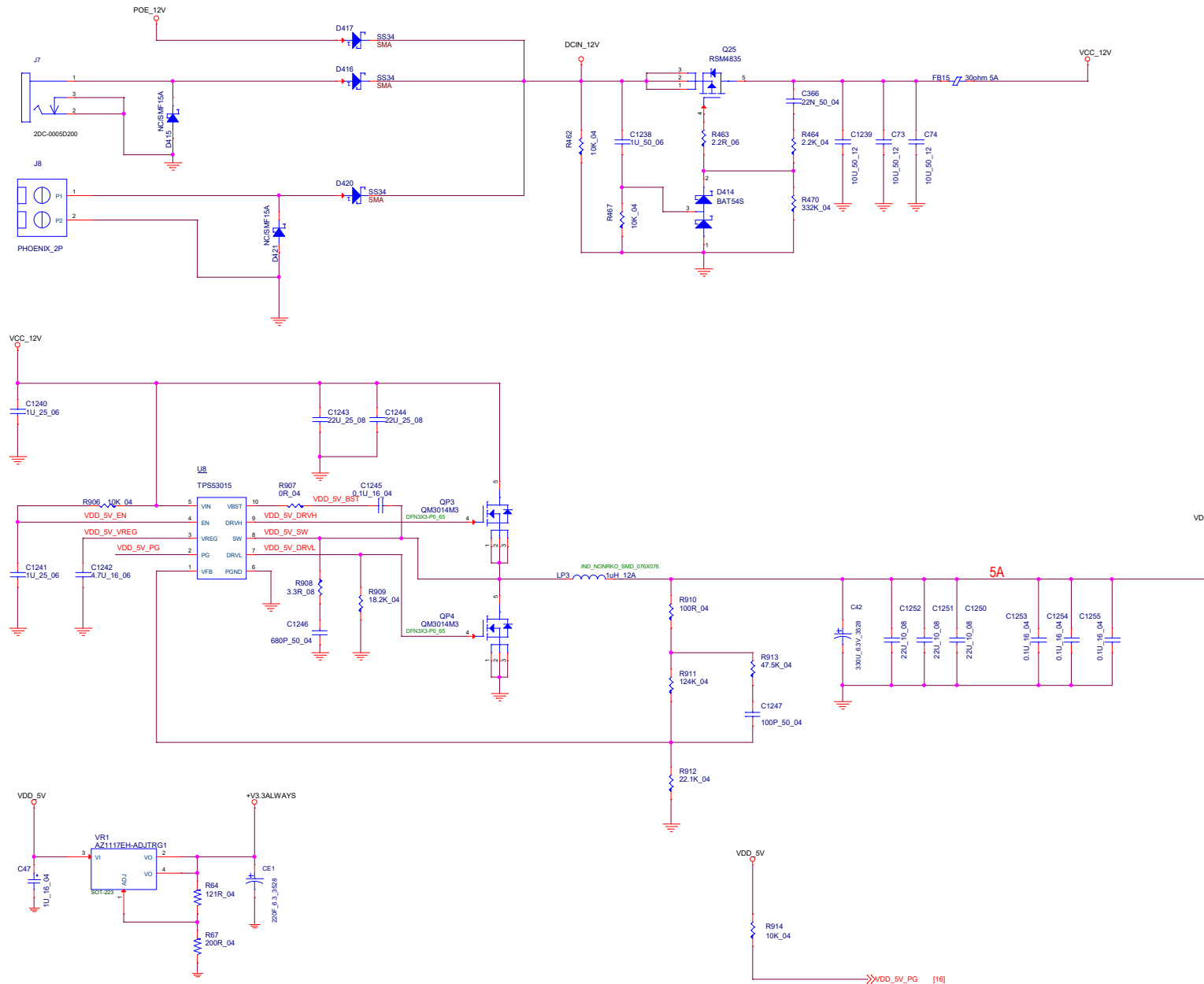


DC JACK 12V AND System 5V



Title	<Title>	Rev	<RevCode>
Size	Document Number		
C	<Doc>		
Date:	Tuesday, June 16, 2020	Sheet	10 of 23