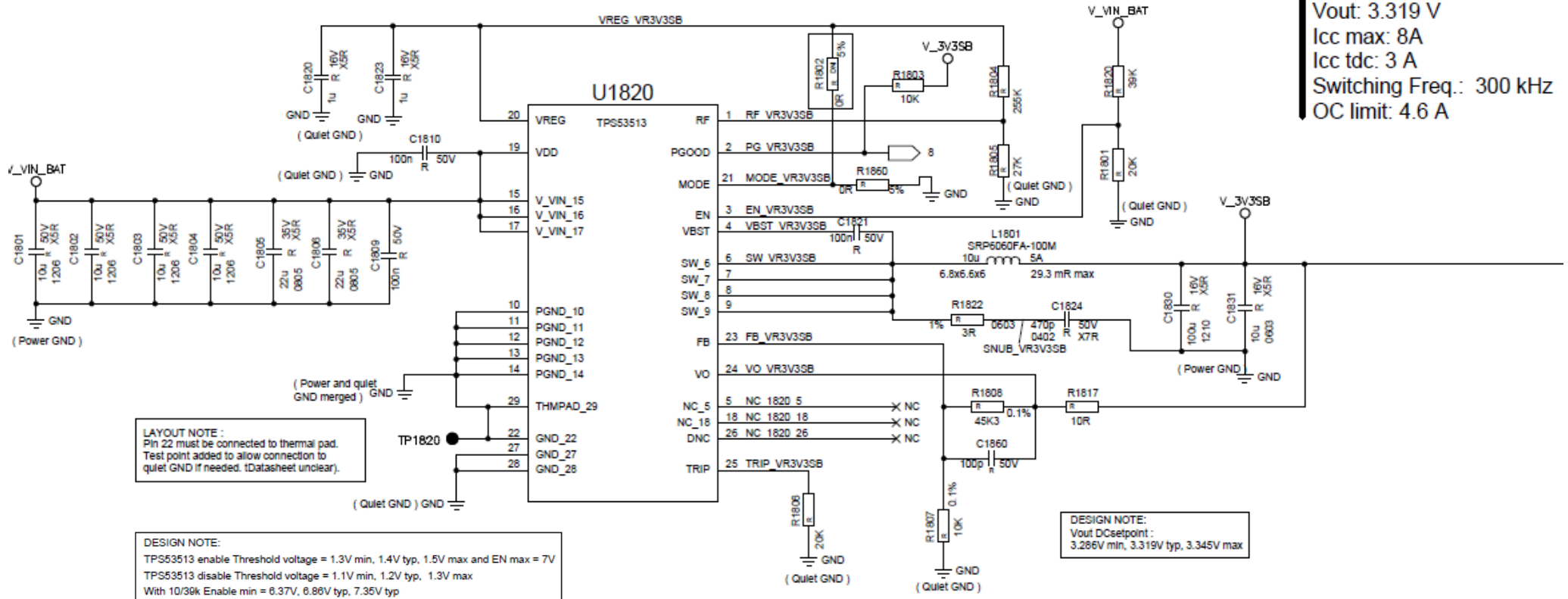


V_3V3SB DC/DC



LAYOUT NOTE :
 Pin 22 must be connected to thermal pad.
 Test point added to allow connection to quiet GND if needed. (Datasheet unclear).

DESIGN NOTE:
 TPS53513 enable Threshold voltage = 1.3V min, 1.4V typ, 1.5V max and EN max = 7V
 TPS53513 disable Threshold voltage = 1.1V min, 1.2V typ, 1.3V max
 With 10/30k Enable min = 6.37V, 6.86V typ, 7.35V typ
 With 10/30k Disable min = 5.39V, 5.89V typ, 6.37V typ

DESIGN NOTE:
 Vout DCsetpoint :
 3.266V min, 3.319V typ, 3.345V max

V_3V3SB / V_3V3
 Vout: 3.319 V
 Icc max: 8A
 Icc tdc: 3 A
 Switching Freq.: 300 kHz
 OC limit: 4.6 A