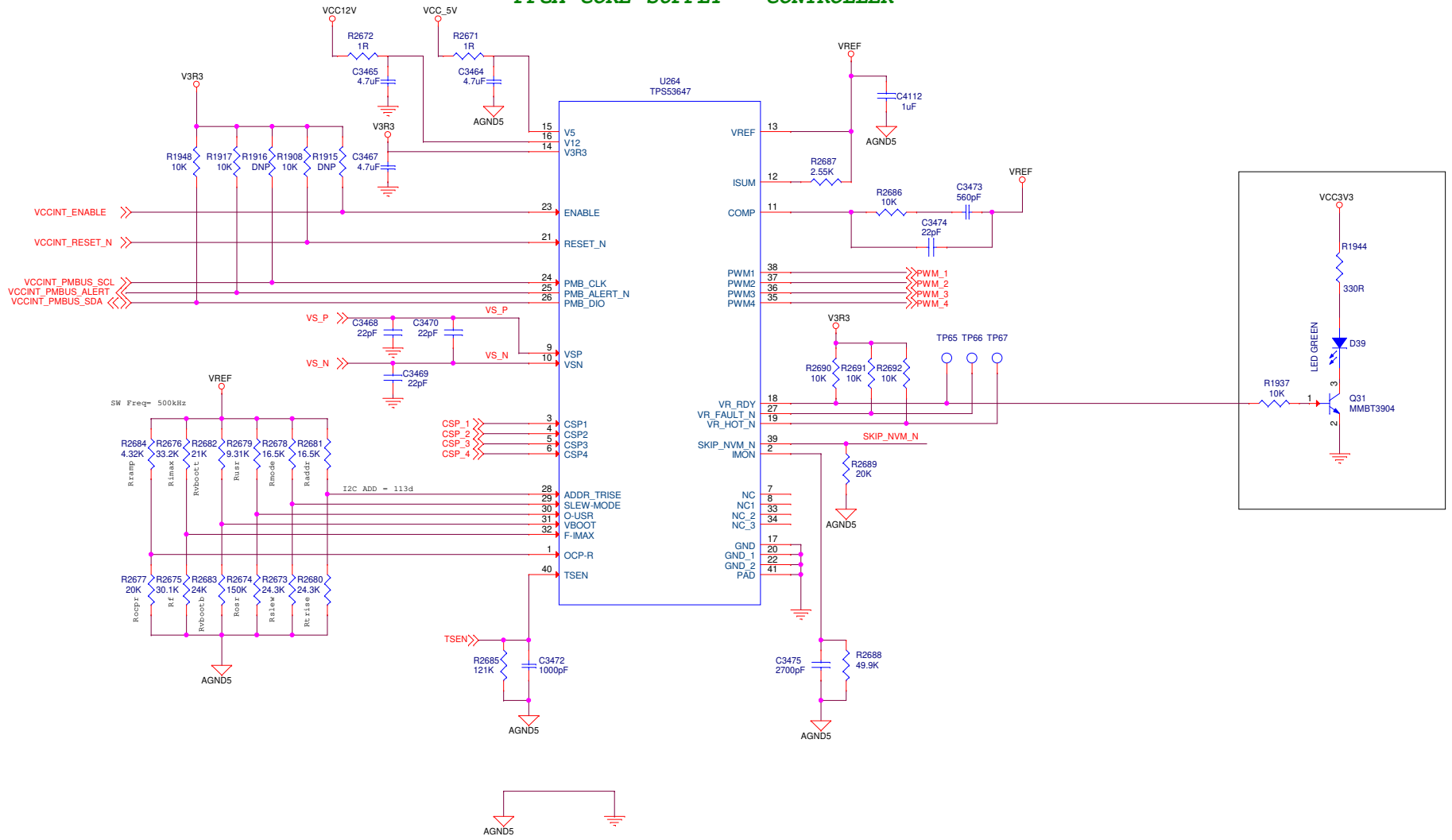


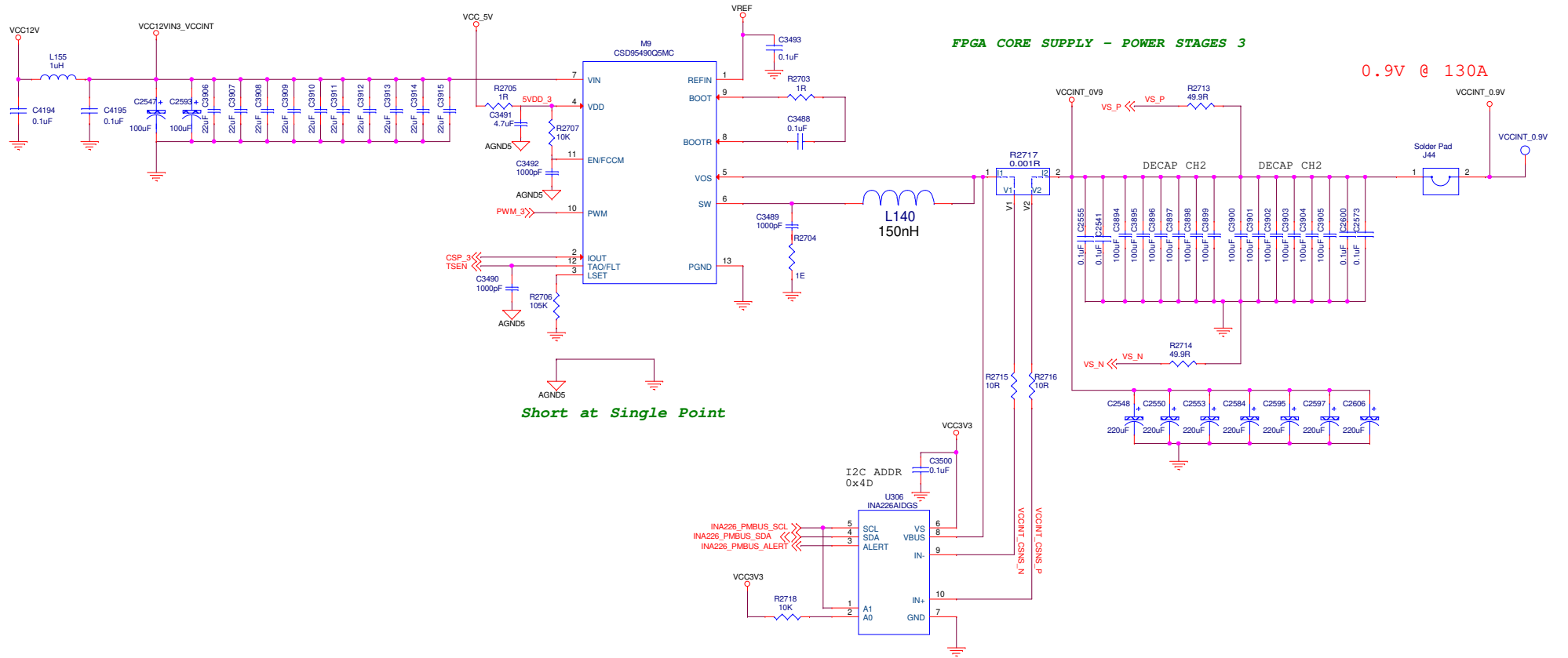
FPGA CORE SUPPLY - CONTROLLER



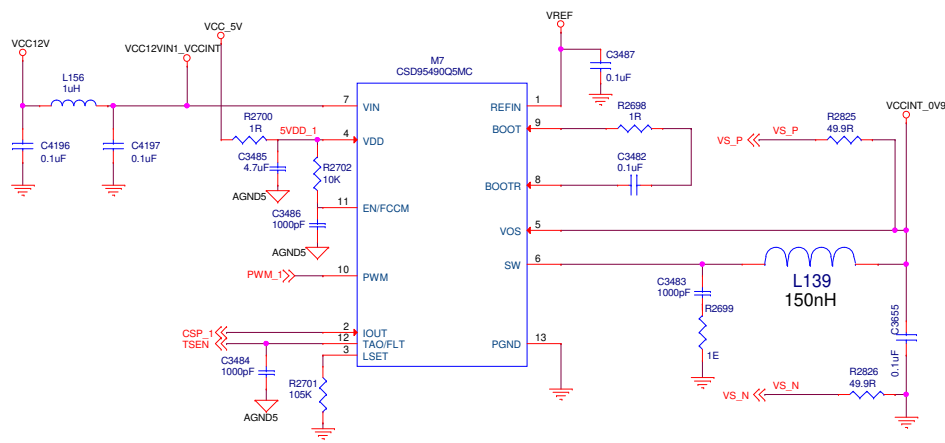
Short at Single Point

FPGA CORE SUPPLY - POWER STAGES 3

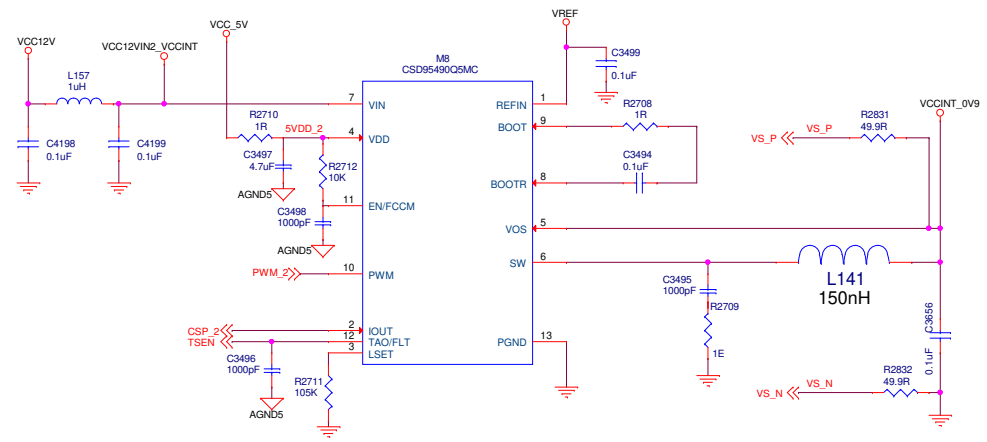
0.9V @ 130A



FPGA CORE SUPPLY - POWER STAGES 1



FPGA CORE SUPPLY - POWER STAGES 4



FPGA CORE SUPPLY - POWER STAGES 2

