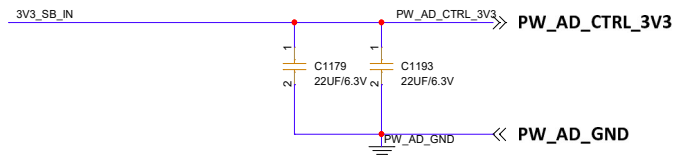
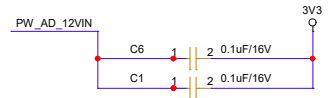
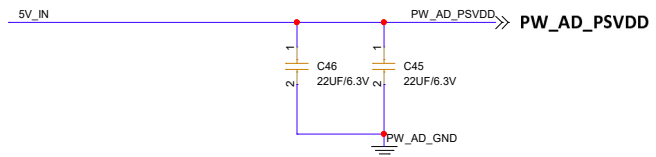
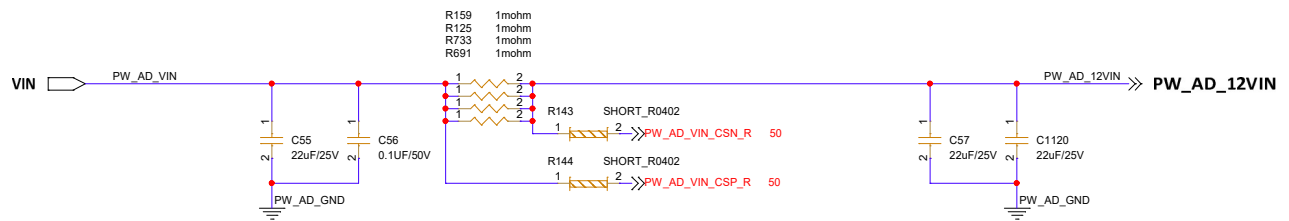


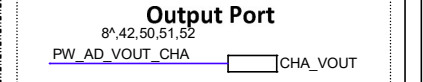
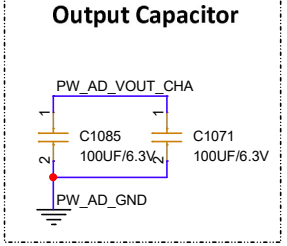
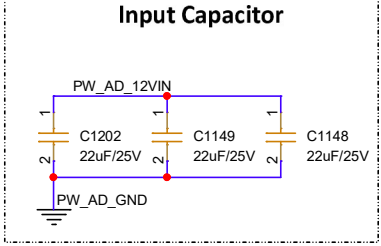
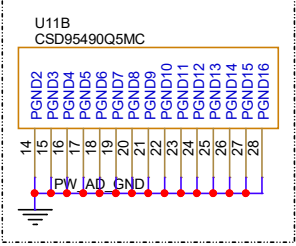
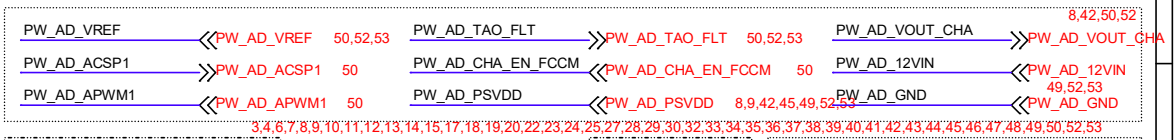
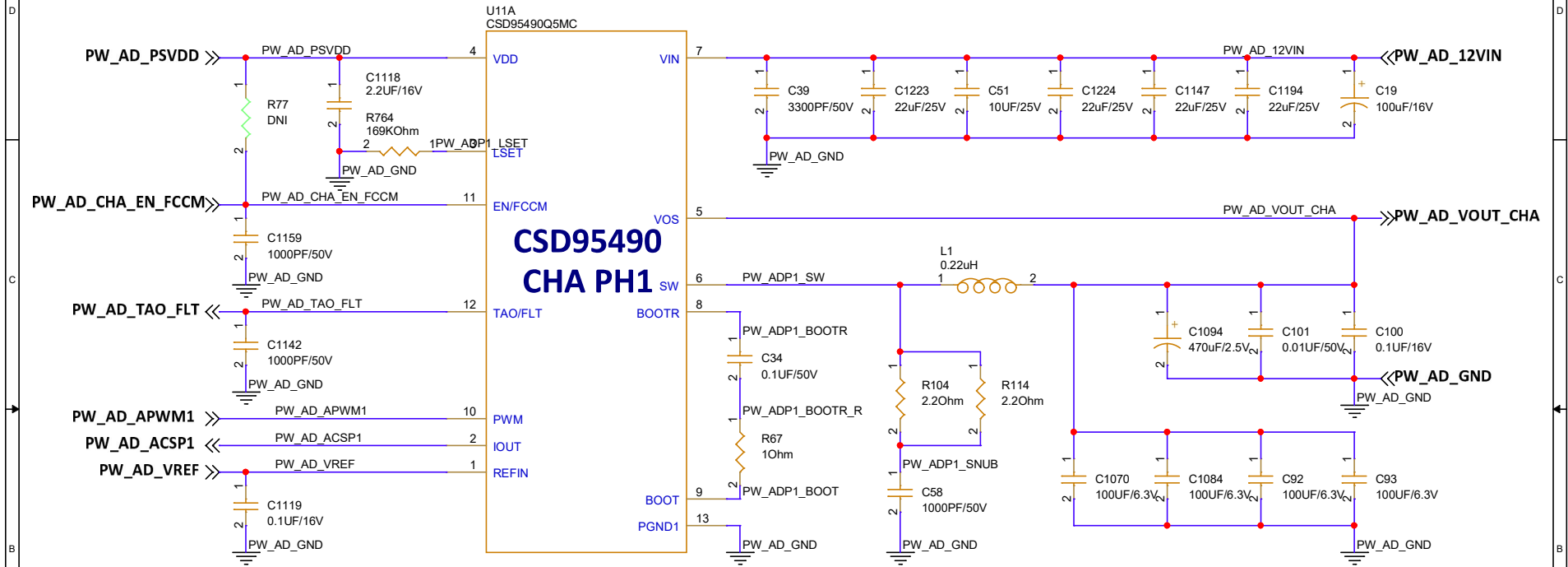
# TPS53679 VIN



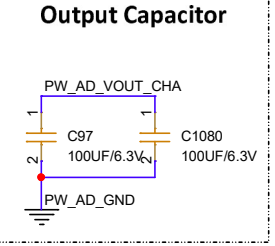
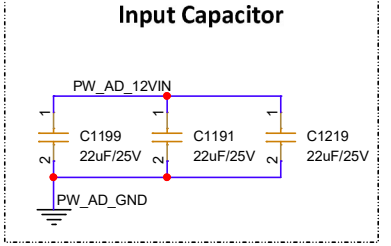
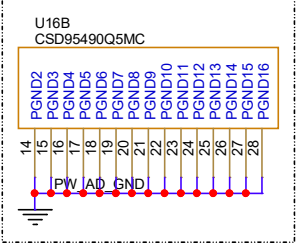
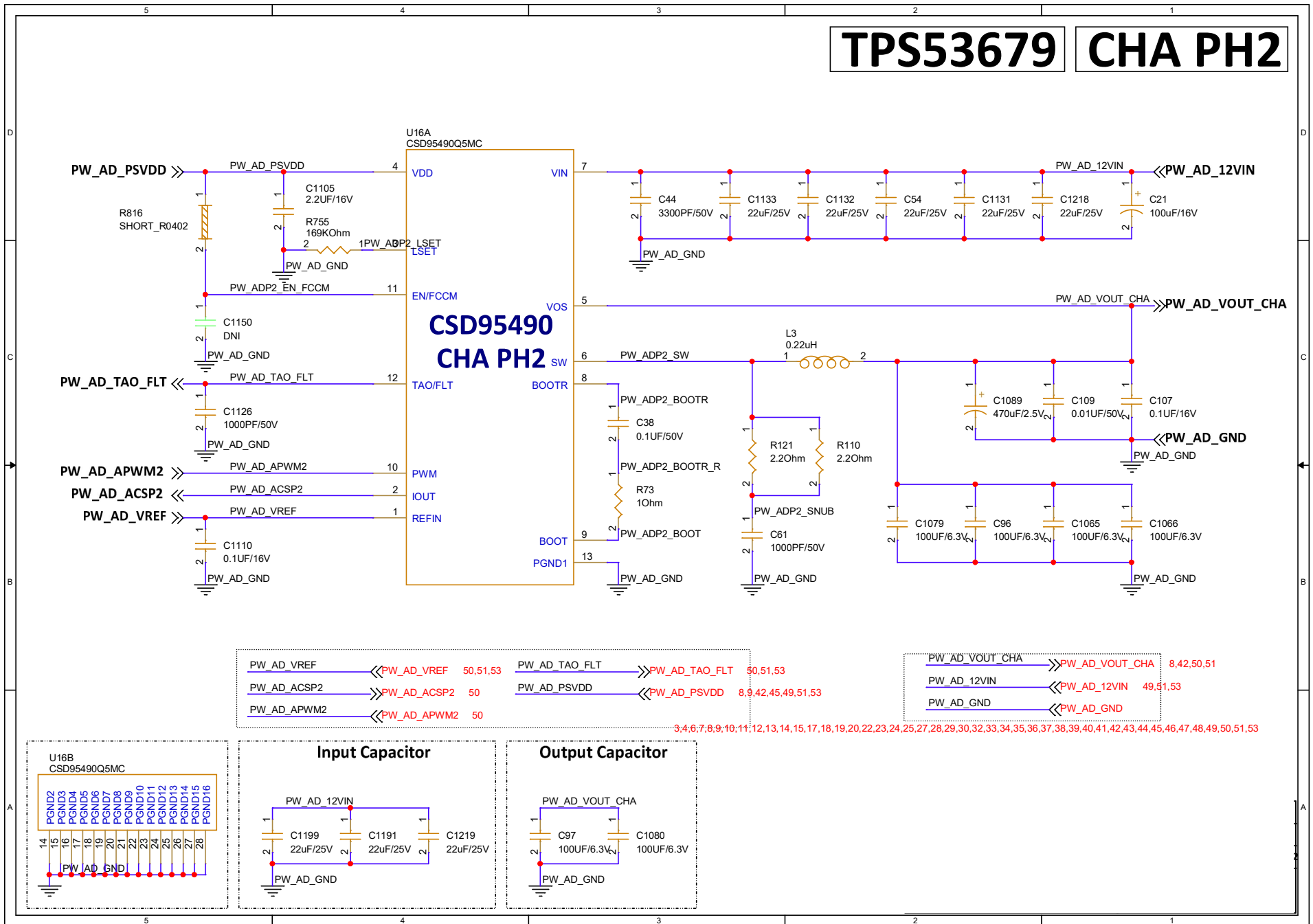
PW_AD_PSVDD	>>>	PW_AD_PSVDD	8,9,42,45,51,52,53	PW_AD_12VIN	>>>	PW_AD_12VIN	51,52,53
PW_AD_CTRL_3V3	>>>	PW_AD_CTRL_3V3	6,8,13,36,37,38,46,47,48,49,50	PW_AD_GND	<<<	PW_AD_GND	3,4,6,7,8,9,10,11,12,13,14,15,17,18,19,20,22,23,24,25,27,28,29,30,32,33,34,35,36,37,38,39,40,41,42,43,44,45,46,47,48,50,51,52,53
5V_IN	>>>	5V_IN	8*,42,45,49,51,52,53	PW_AD_VIN	>>>	VIN	8*,43,45,46,47
3V3_SB_IN	>>>	3V3_SB_IN	6,8*,13,36,37,38,46,47,48,49,50	PW_AD_GND	<<<	GND	3,6,7,8*,10,11,12,13,14,15,17,18,19,20,22,23,24,25,27,28,29,30,32,33,34,35,36,37,38,39,40,41,42,43,44,45,46,47,48,49,50,51,52,53



# TPS53679 CHA PH1

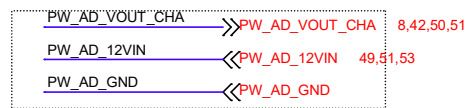
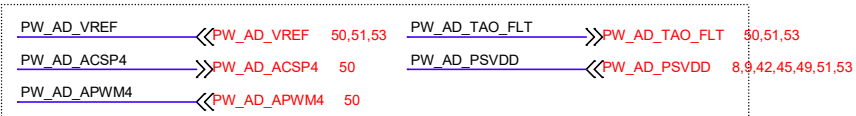
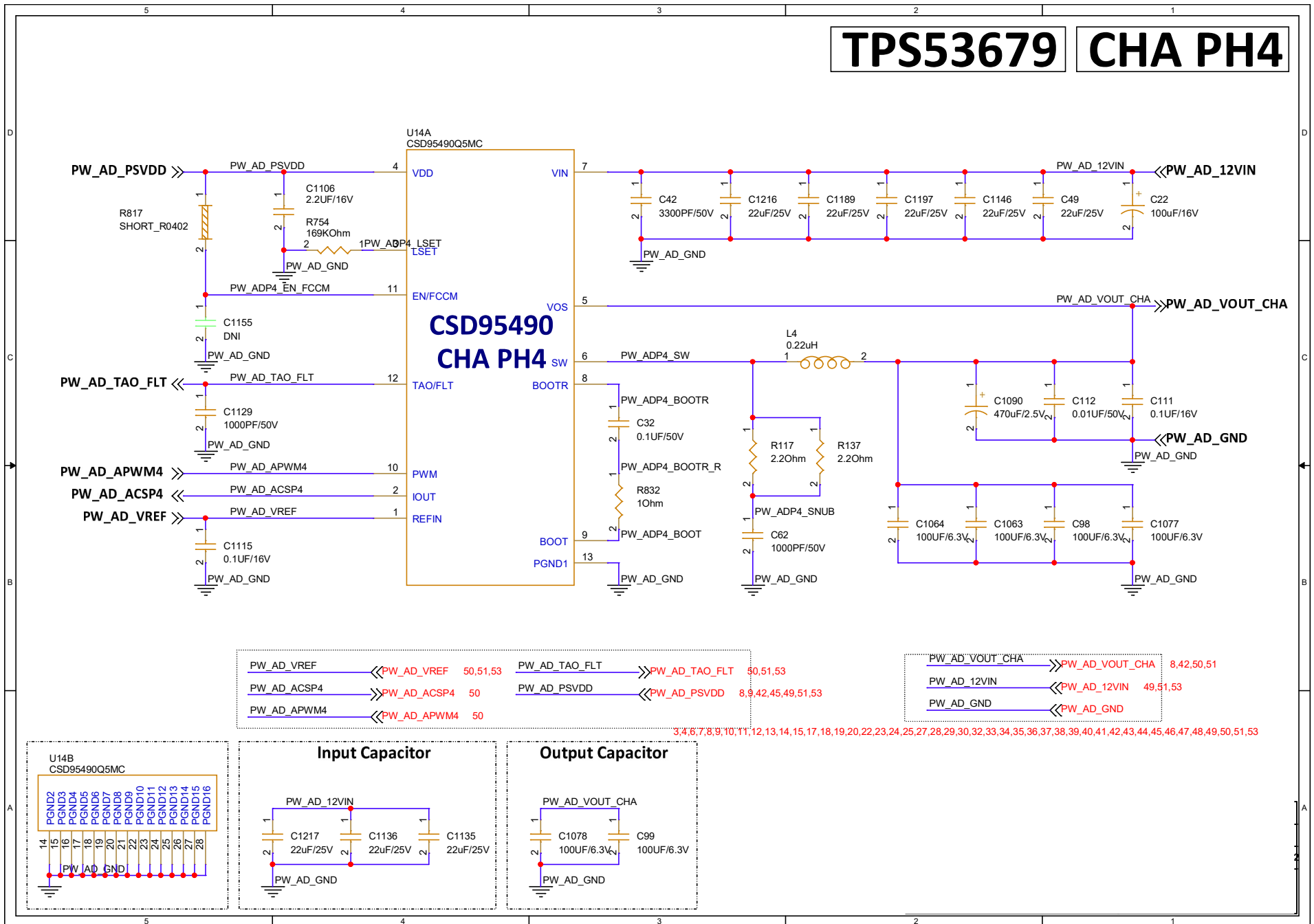


# TPS53679 CHA PH2



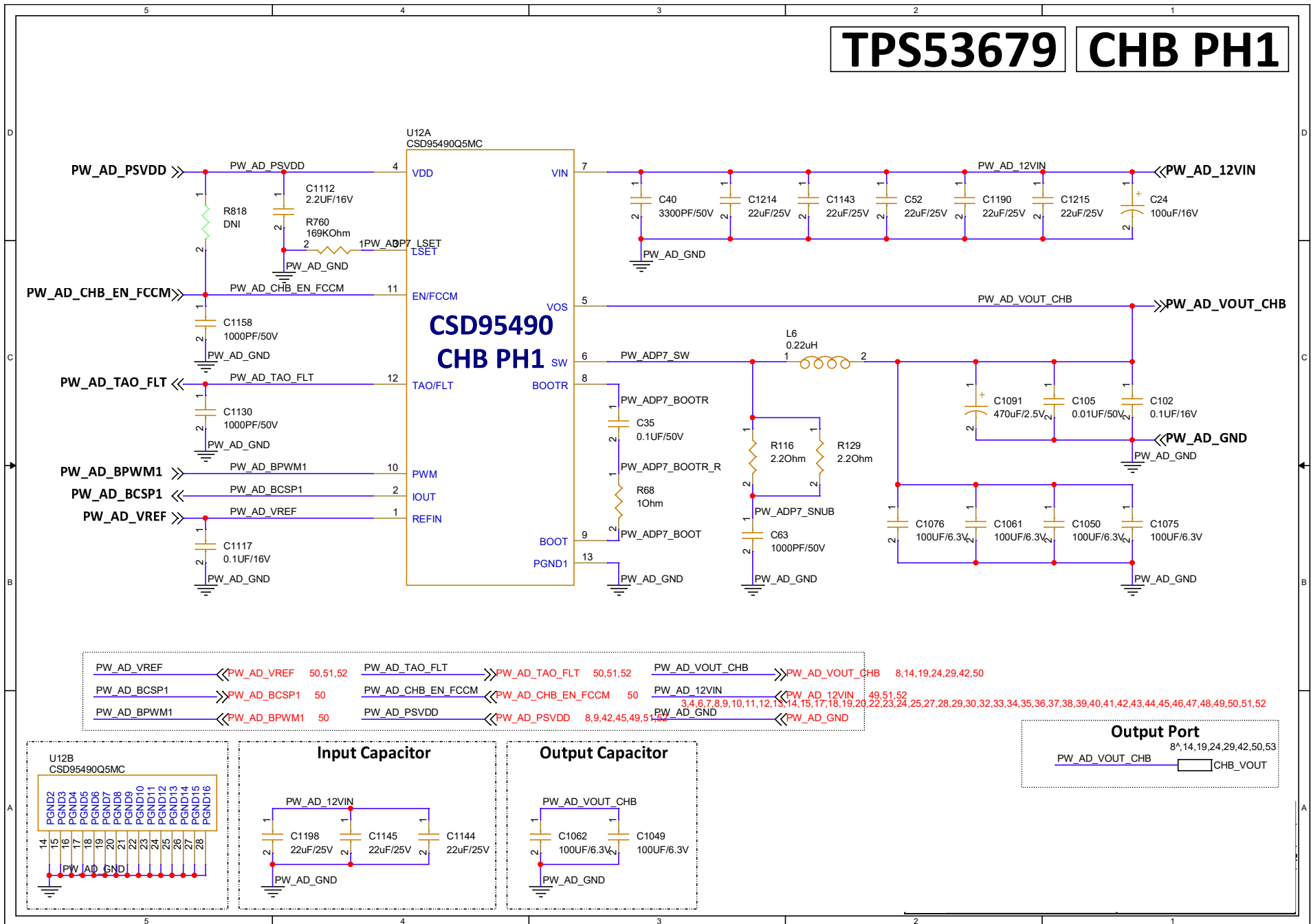


# TPS53679 CHA PH4

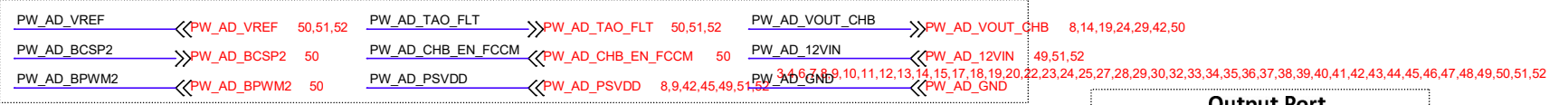
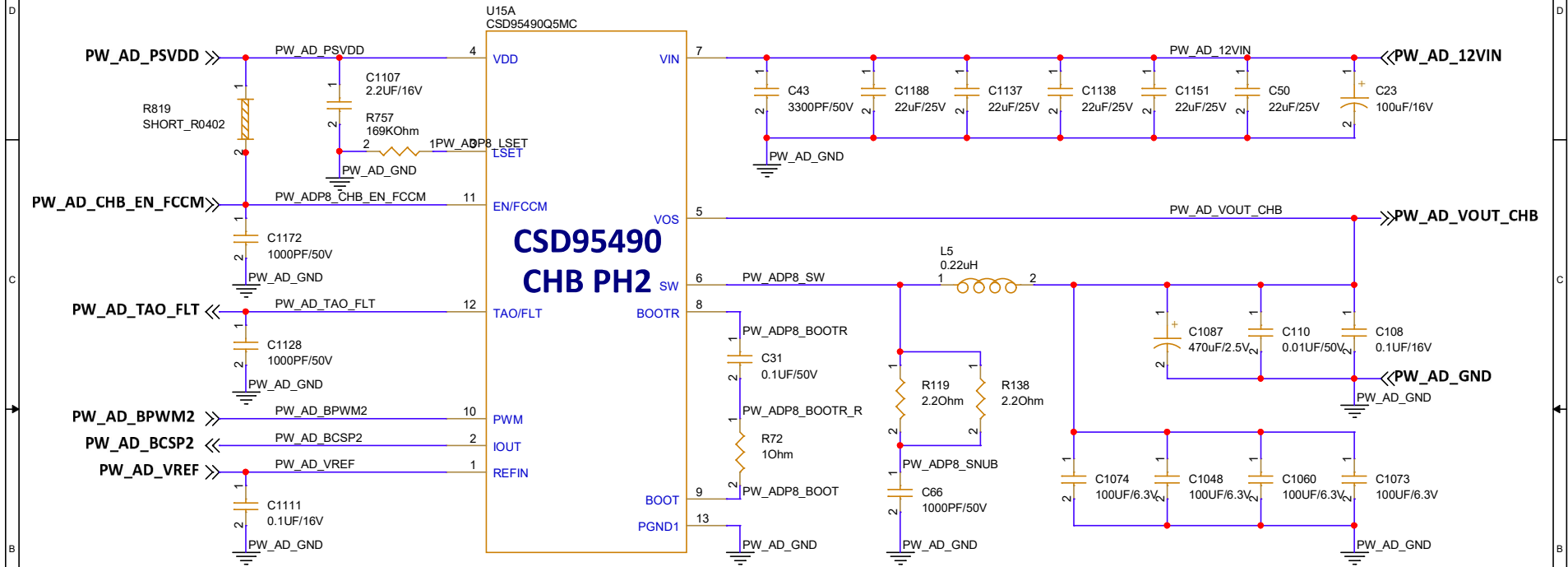


3,4,6,7,8,9,10,11,12,13,14,15,17,18,19,20,22,23,24,25,27,28,29,30,32,33,34,35,36,37,38,39,40,41,42,43,44,45,46,47,48,49,50,51,53

# TPS53679 CHB PH1



# TPS53679 CHB PH2



## Output Port

