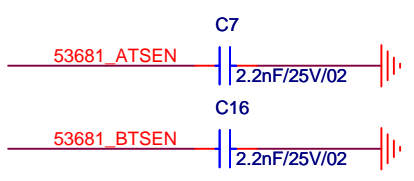
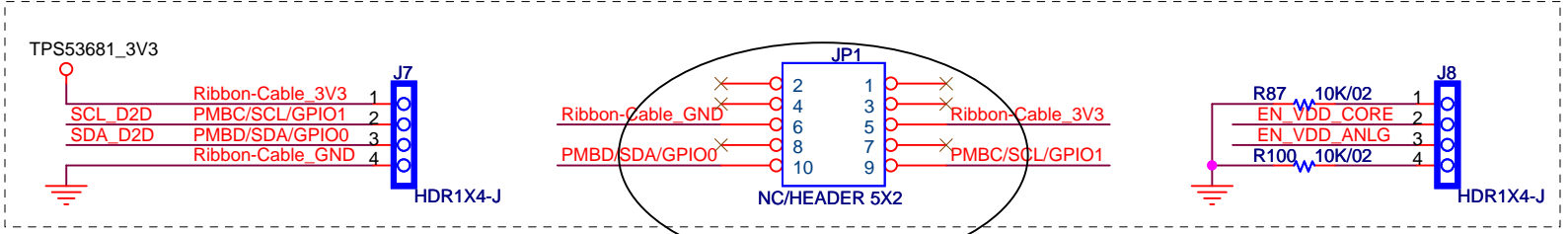
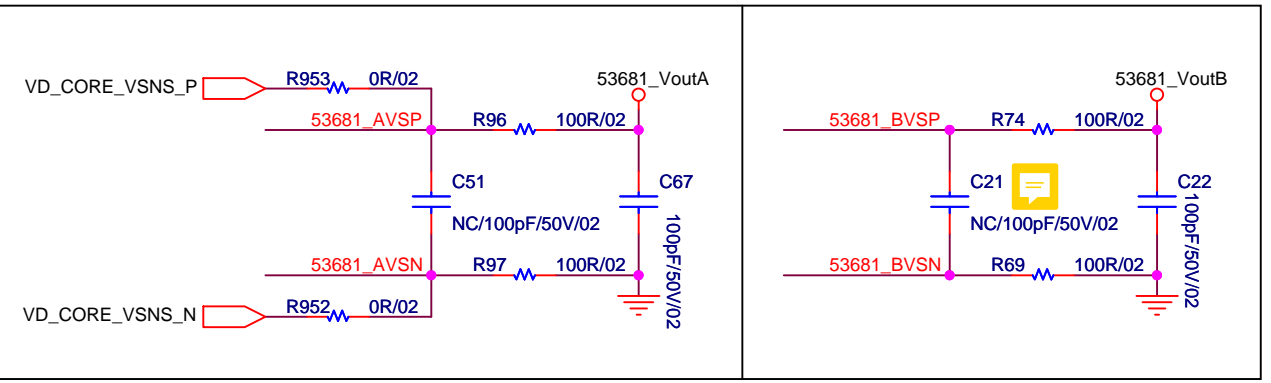
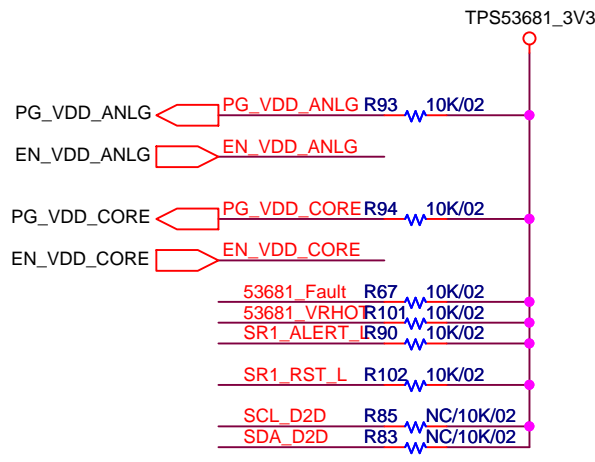
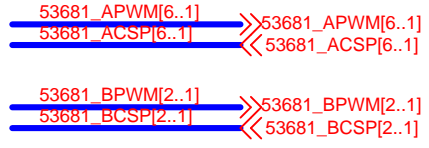
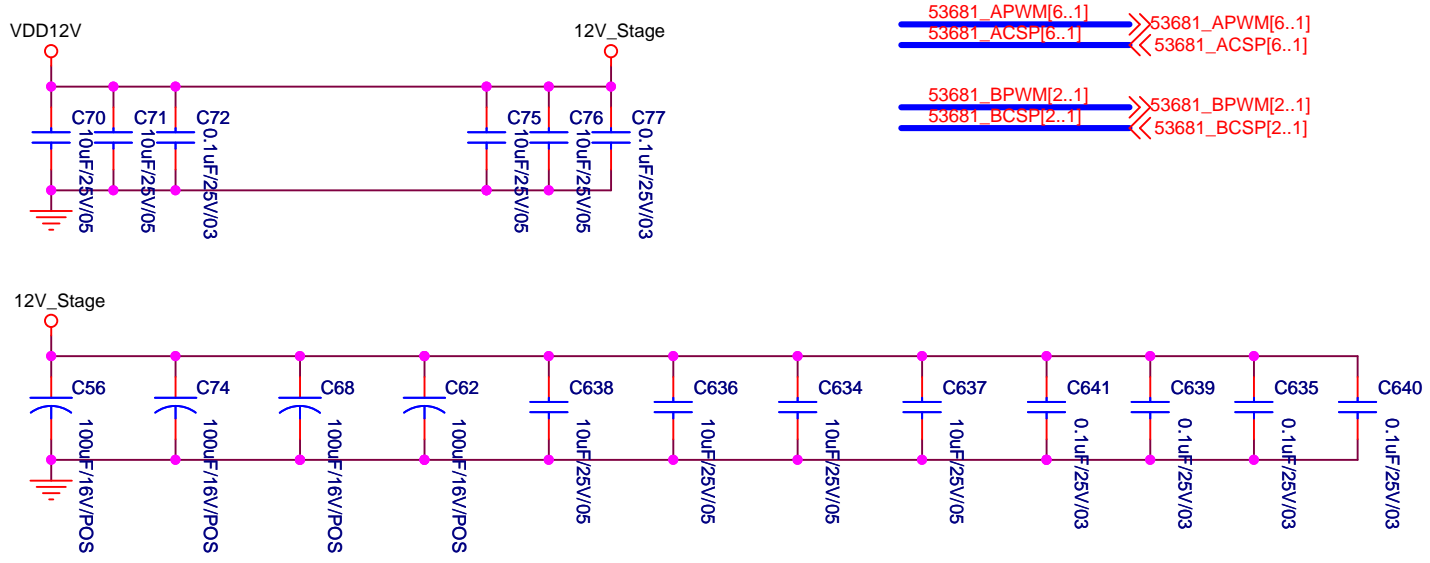
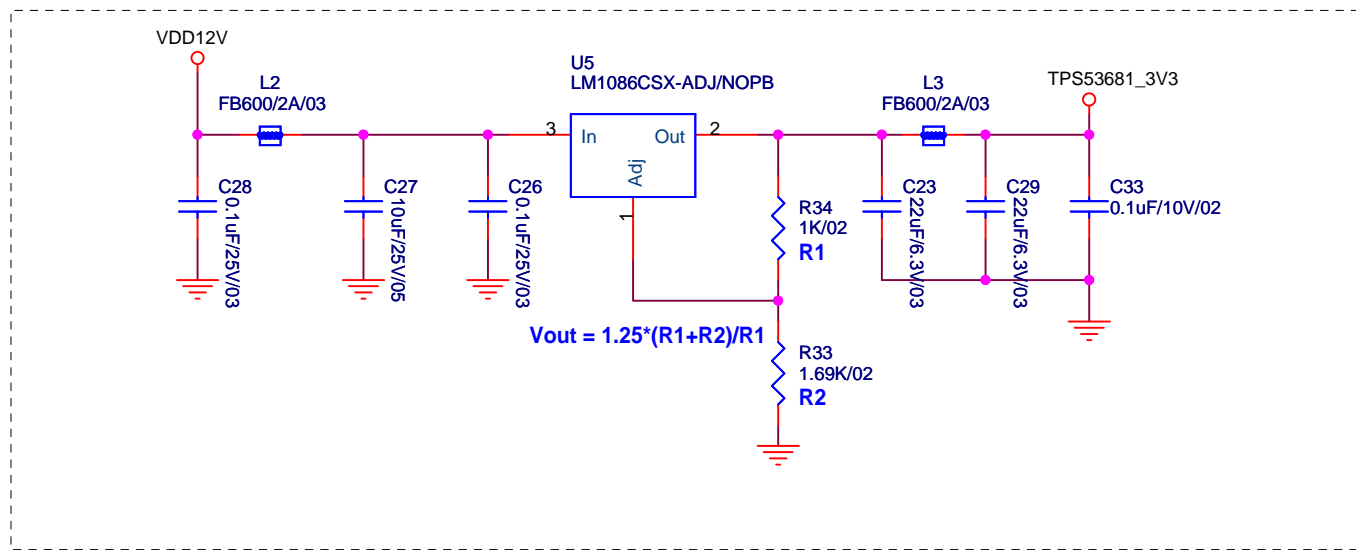
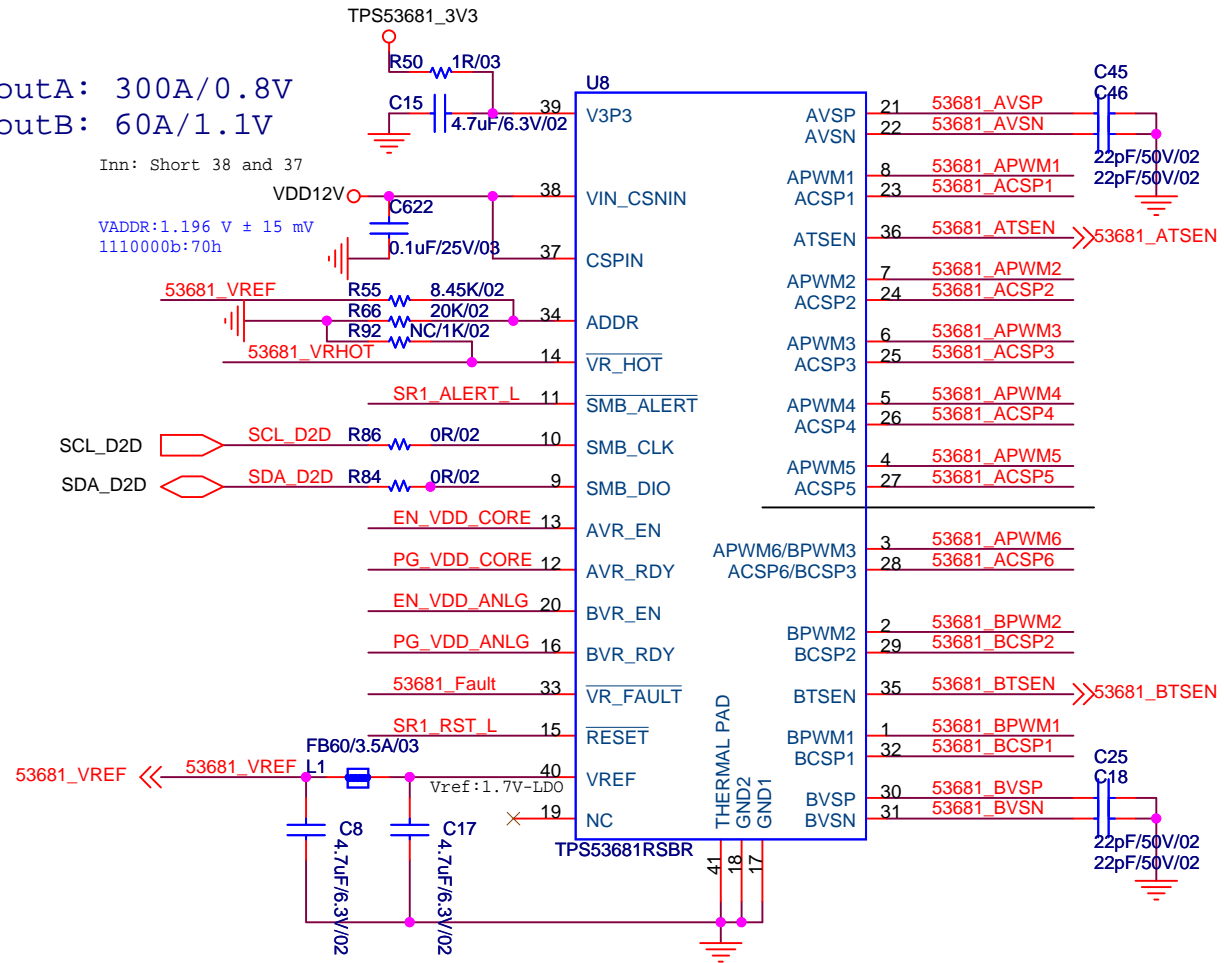


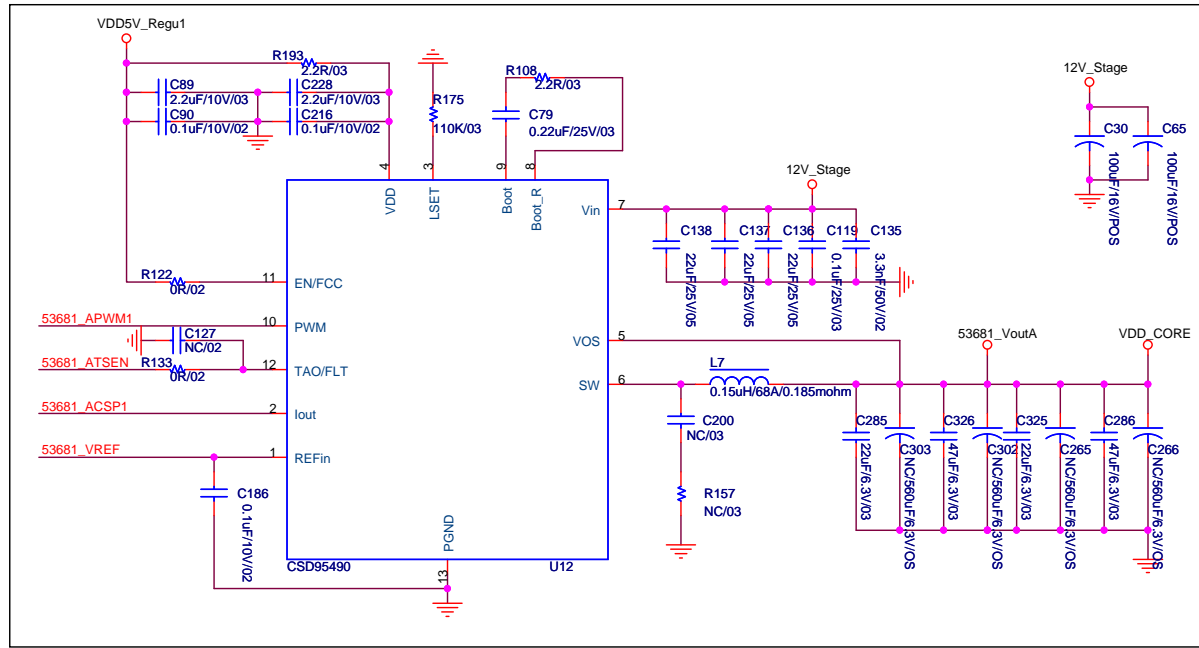
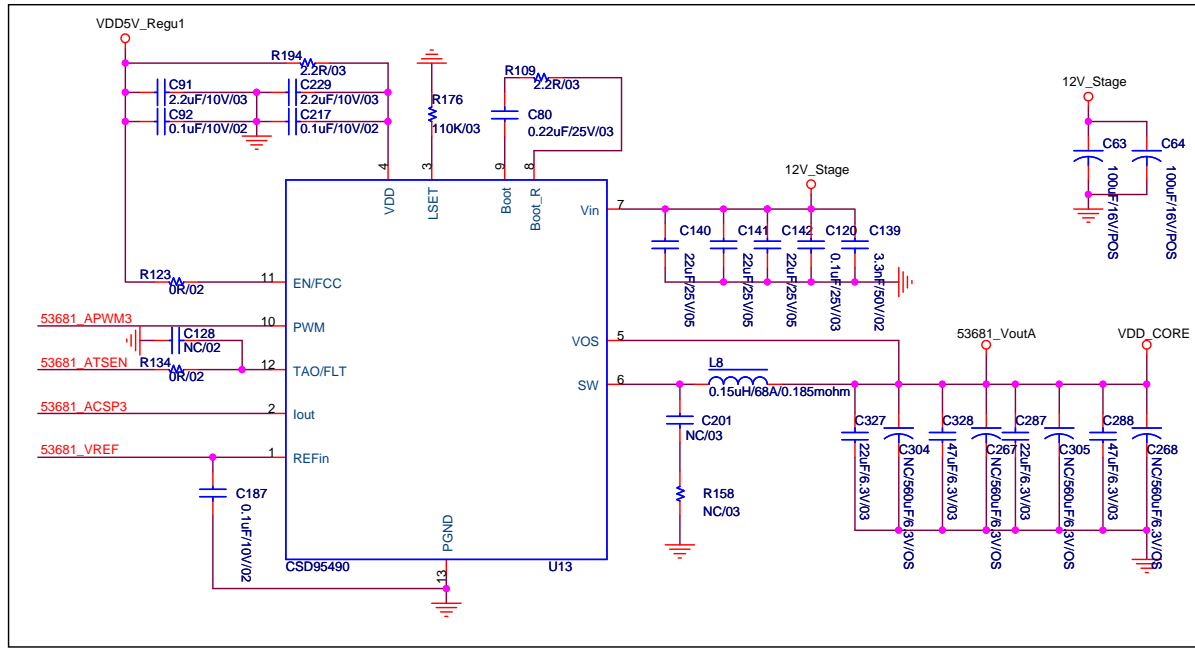
VoutA: 300A/0.8V  
VoutB: 60A/1.1V

Inn: Short 38 and 37  
VADDR: 1.196 V ± 15 mV  
1110000b: 70h



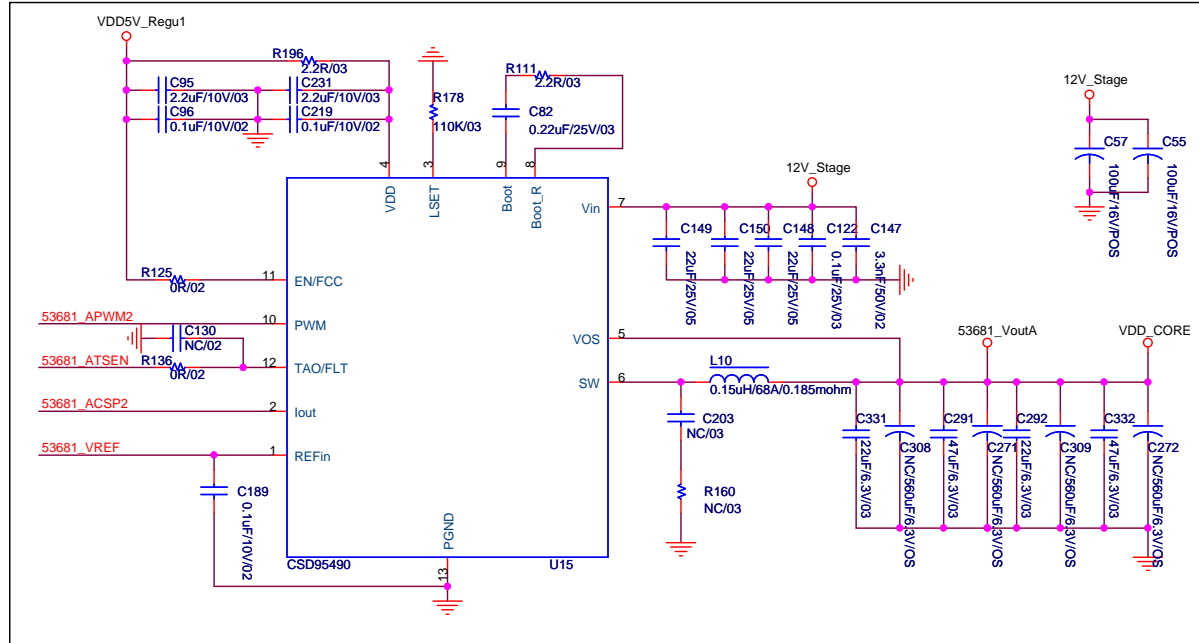
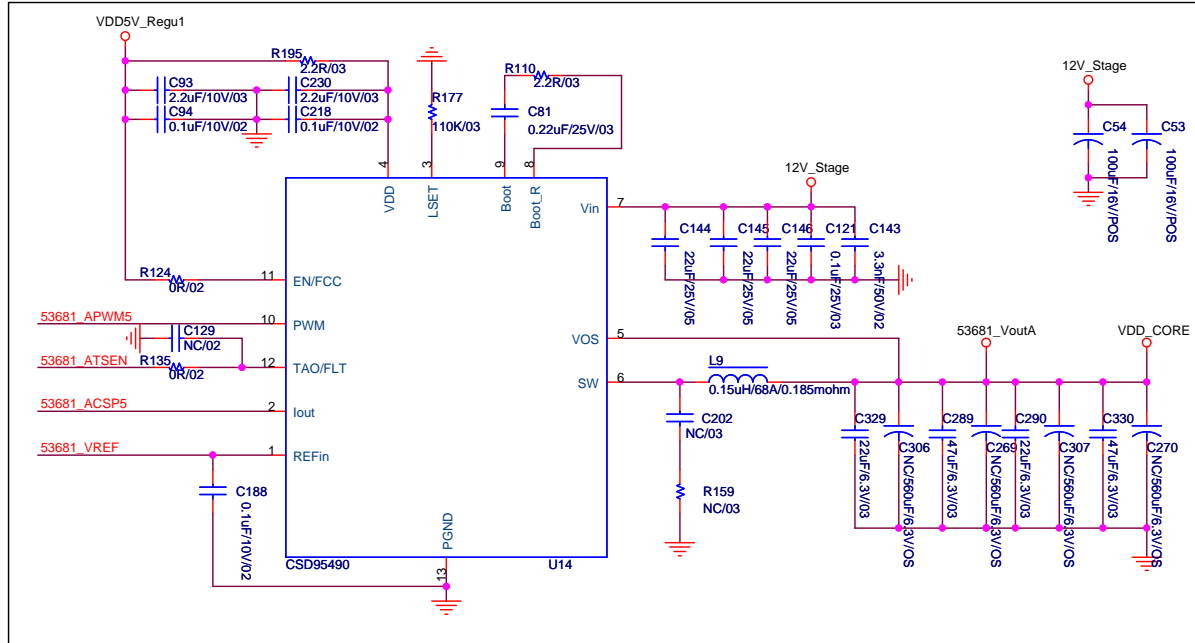
change to 2.54mm

<b>Cameo Communication INC.</b>		
Title		
<b>Model Name : ESC601-32Q_Switch Board</b>		
Size B	Document Number	Rev
	<b>TPS53681: 0.8V &amp; 1.1V</b>	A1.3
Date:	Thursday, November 22, 2018	Sheet 35 of 41

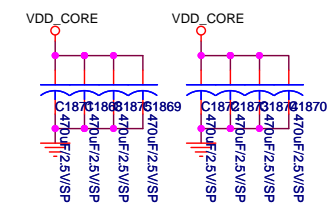
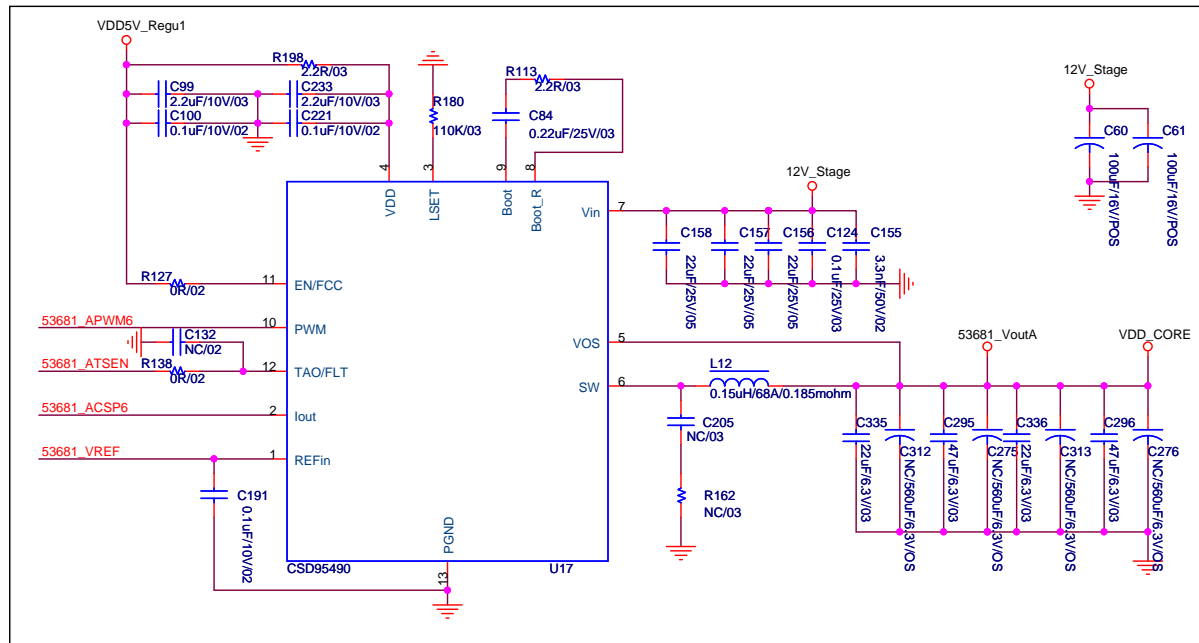
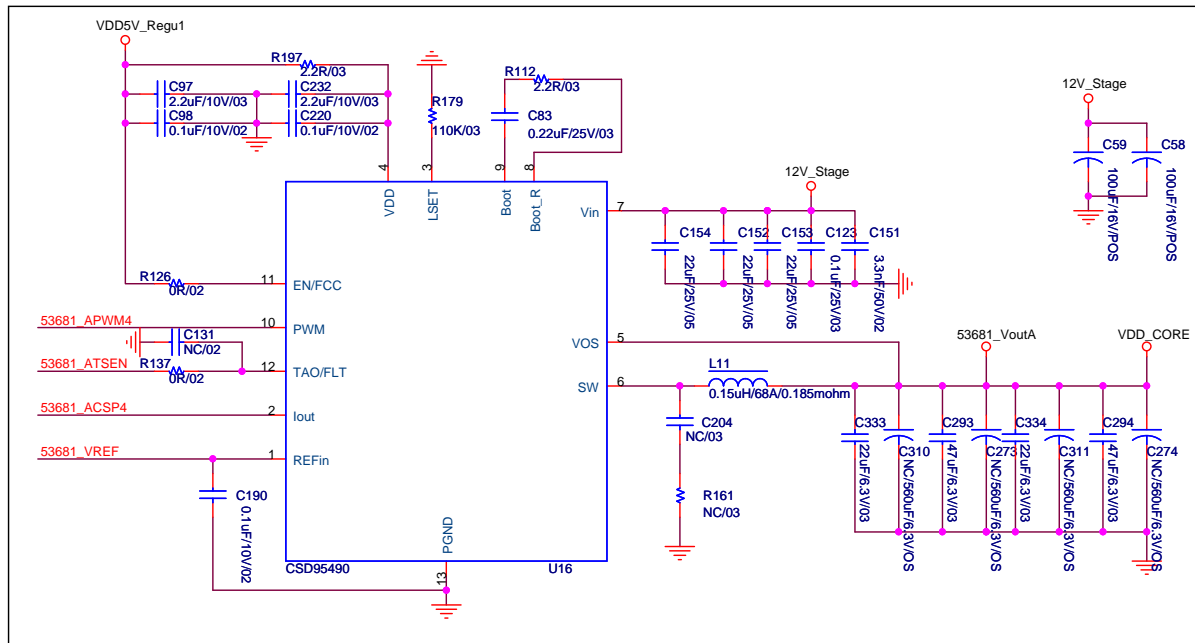
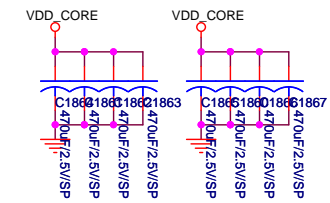
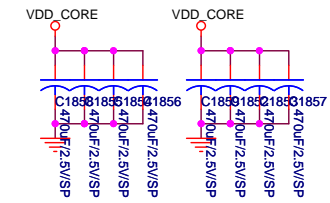


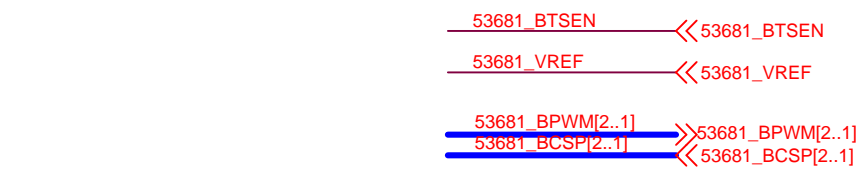
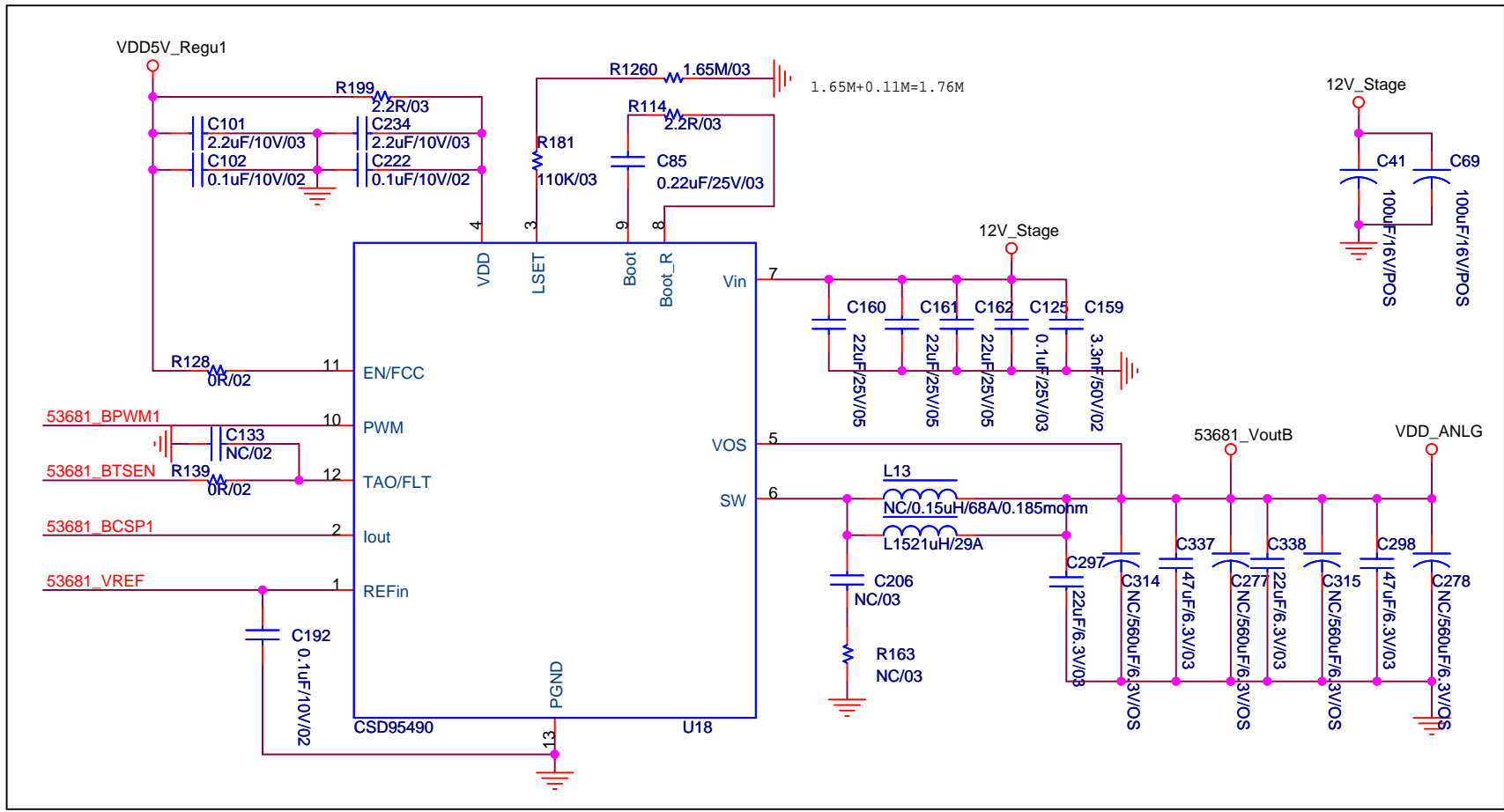
53681\_APWM6\_1 << 53681\_APWM(6..1)  
 53681\_ACSP16\_1 << 53681\_ACSP(6..1)  
 53681\_VREF << 53681\_VREF  
 53681\_ATSEN << 53681\_ATSEN

0.8V:  
 53681\_VoutA  
 IVM\_VDD  
 VDD\_CORE

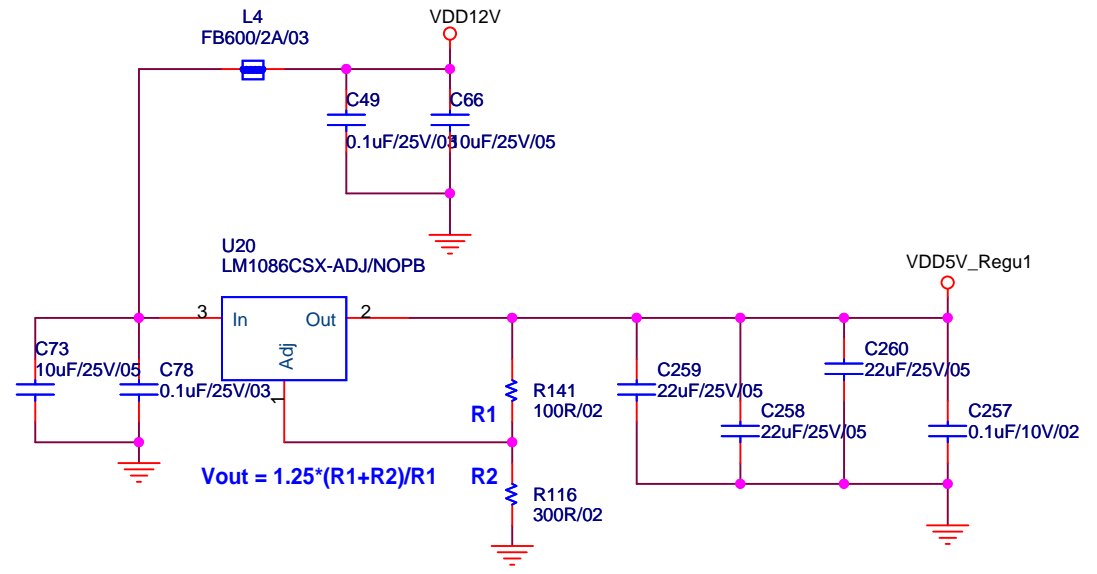
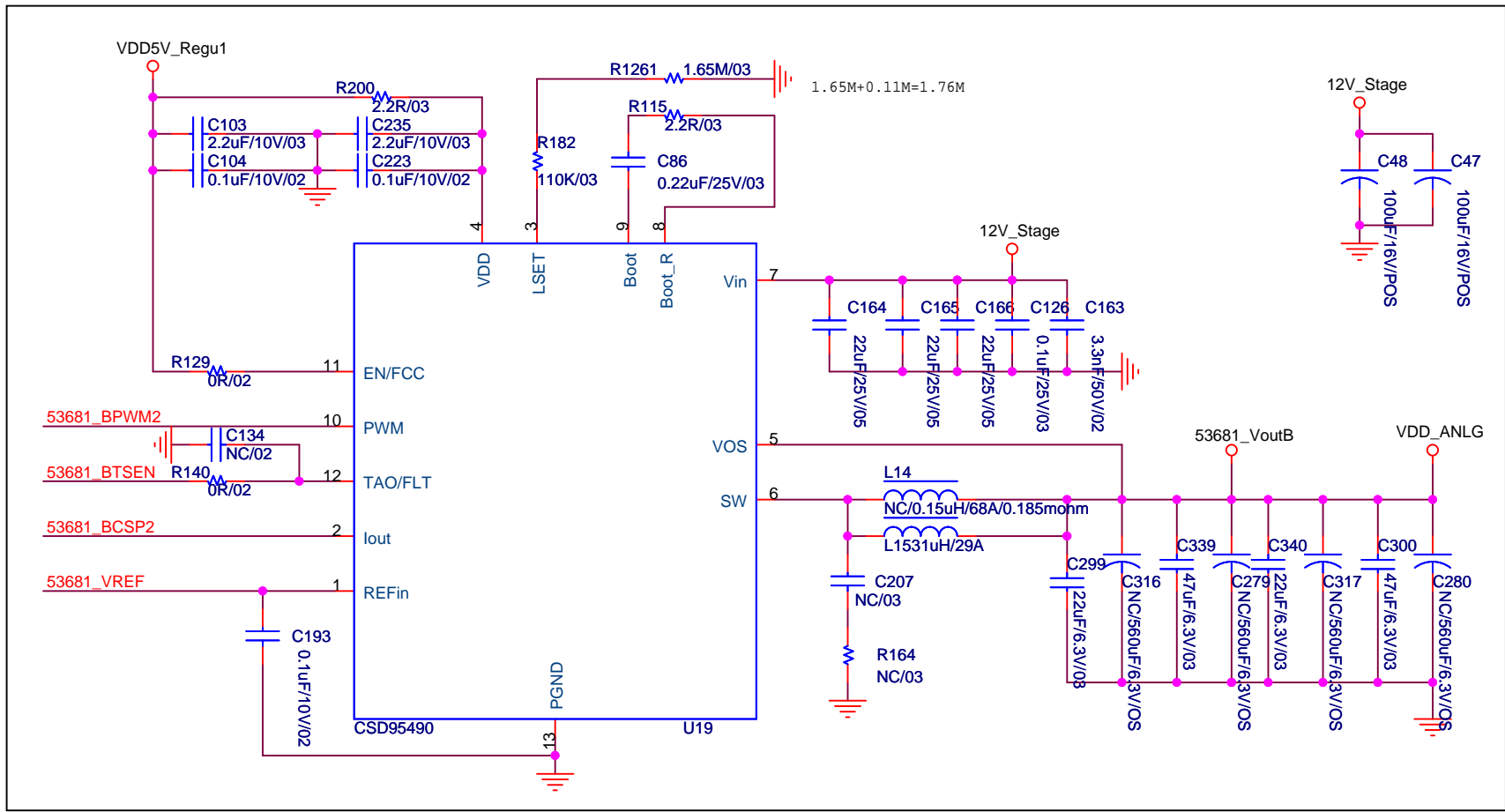
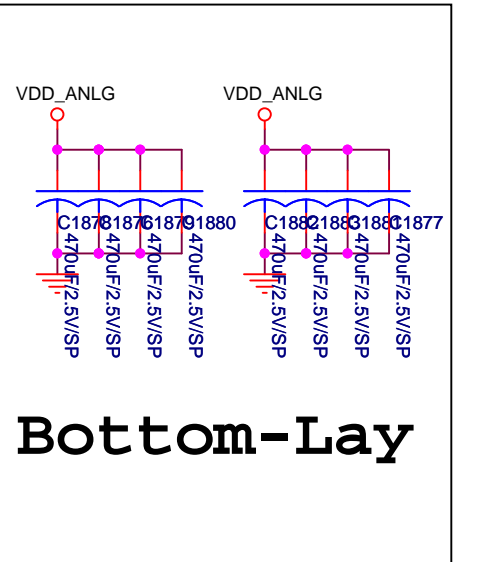
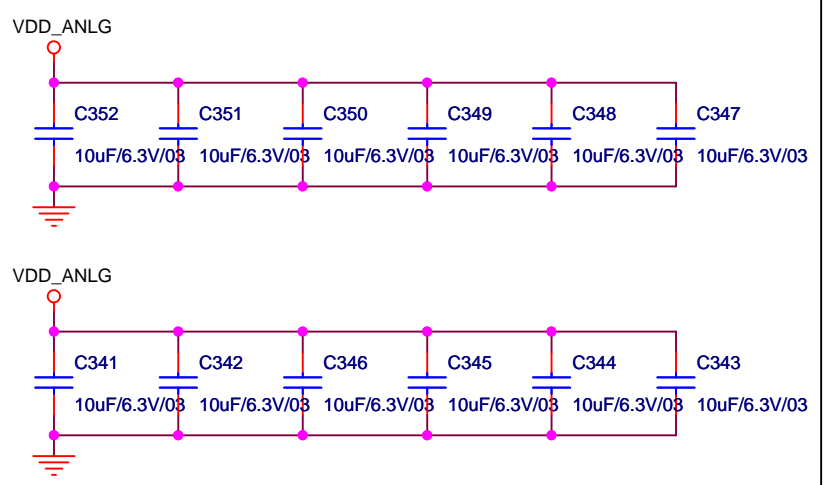


### Bottom-Lay

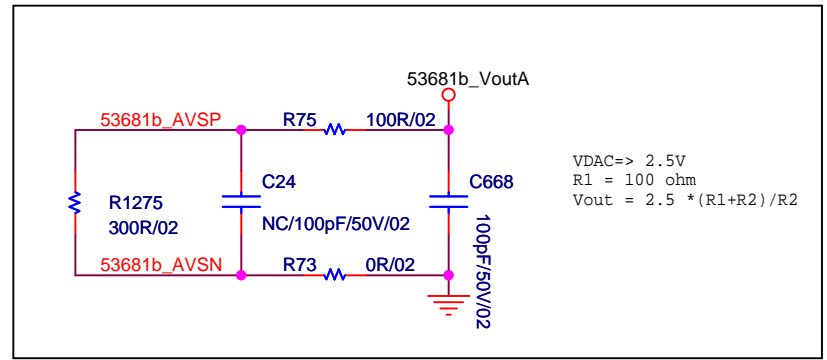
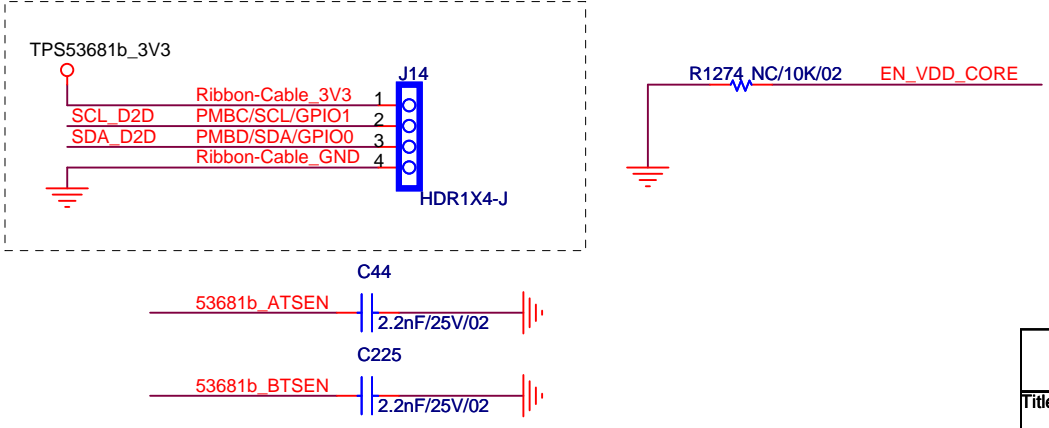
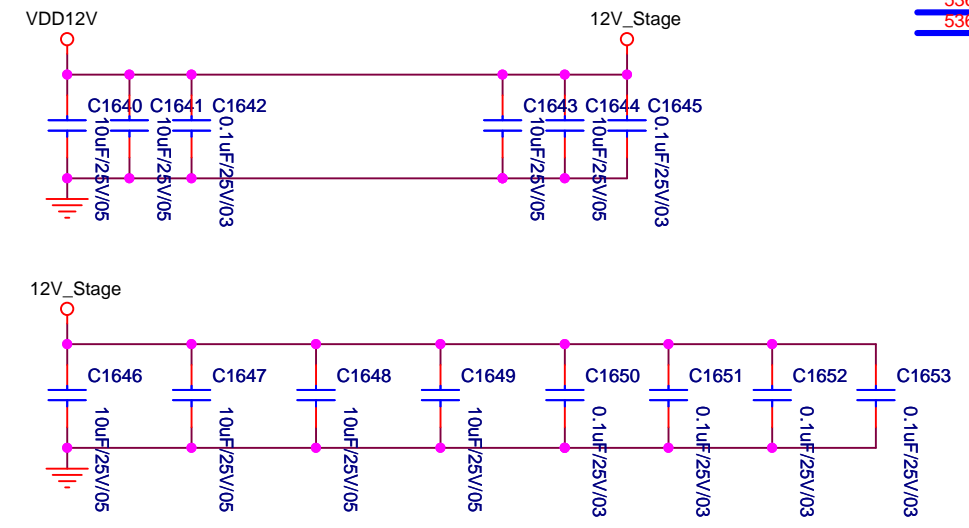
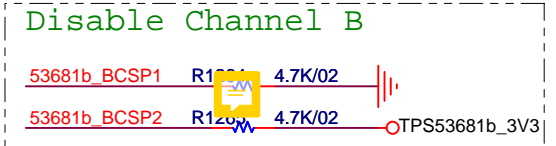
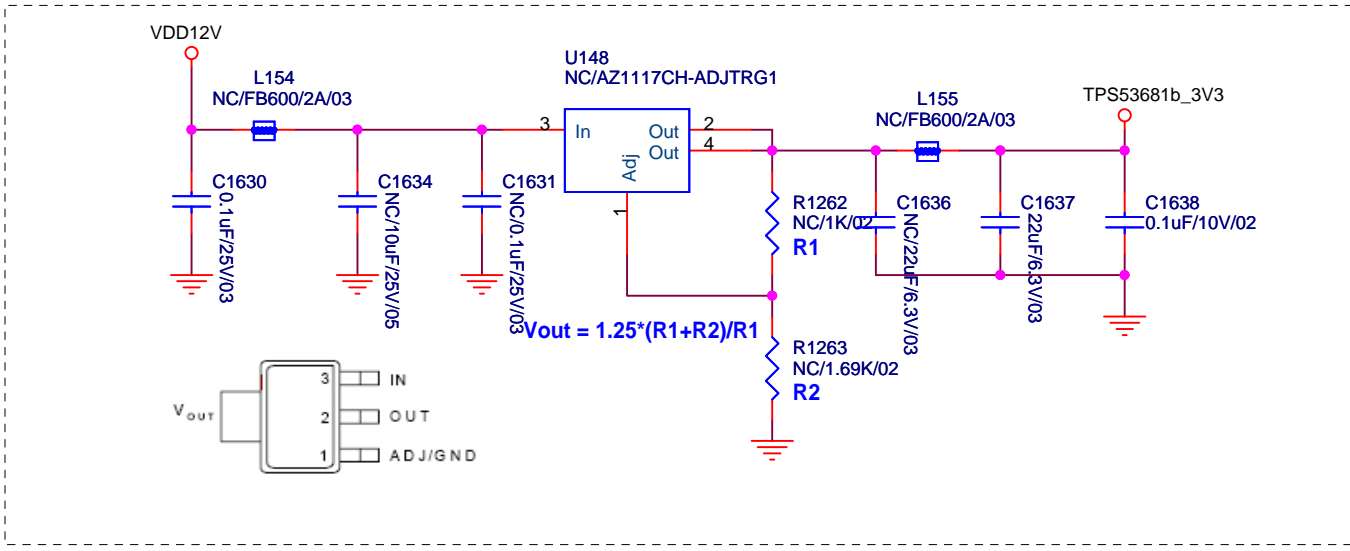
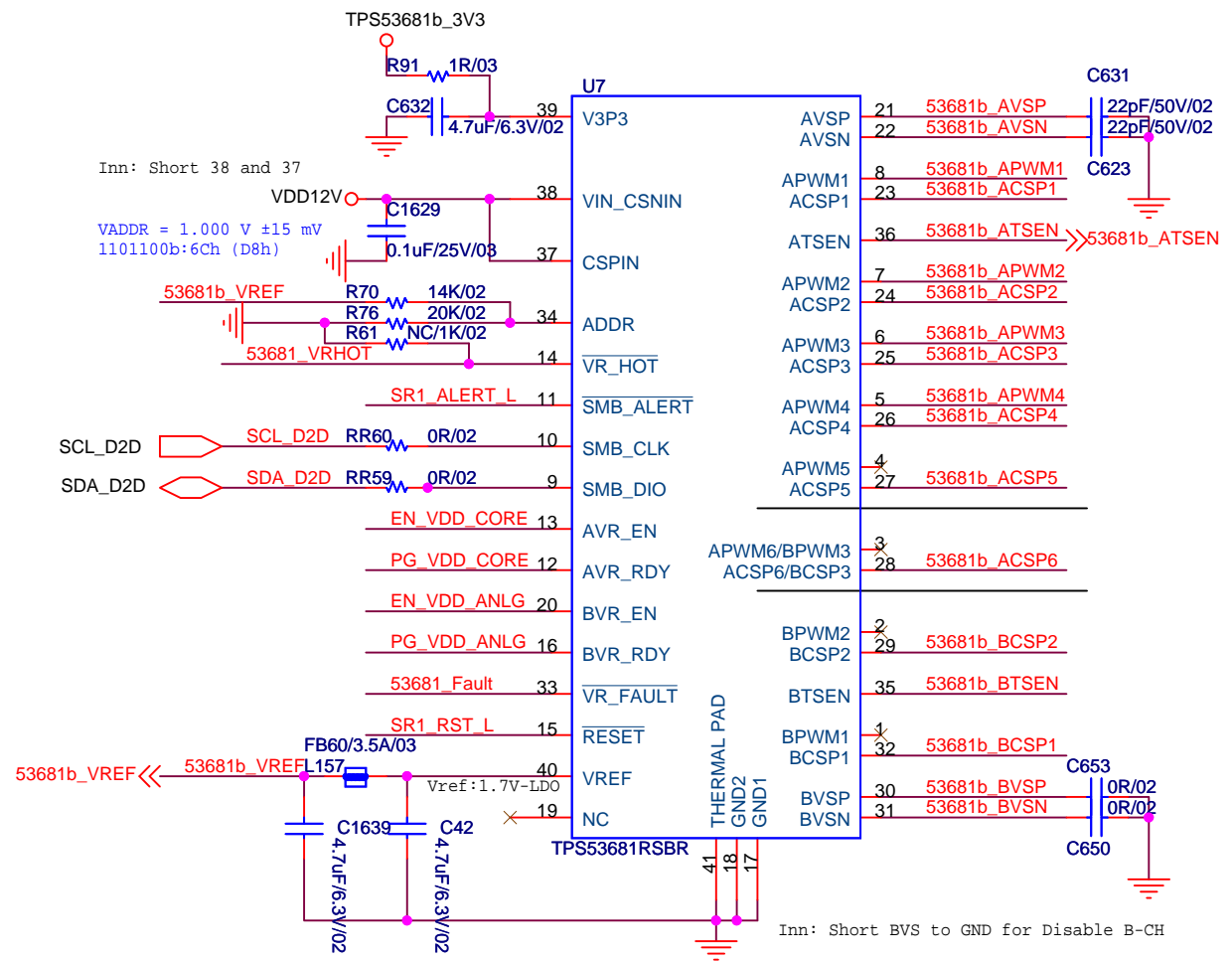




1.1V:  
 53681\_VoutB  
 IVM\_AVDDH  
 VDD\_ANLG

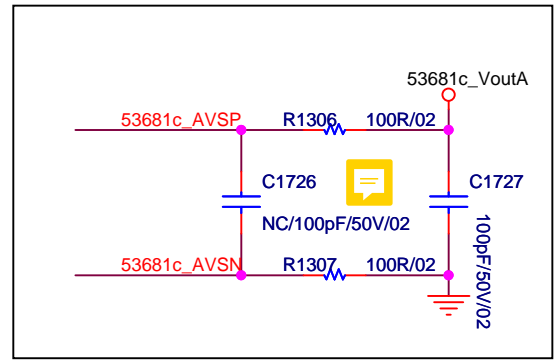
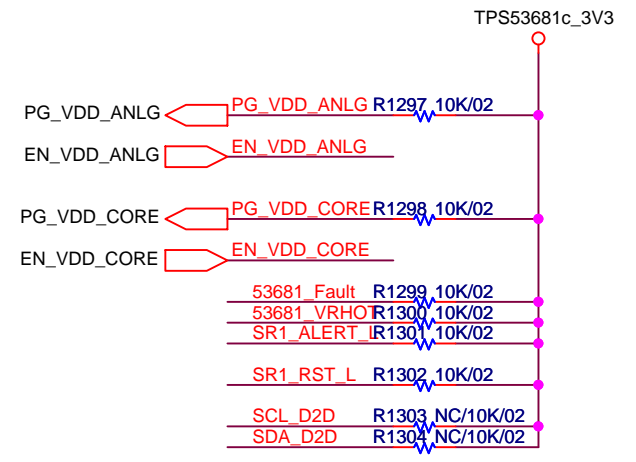
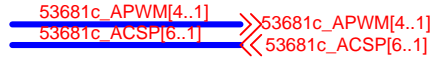
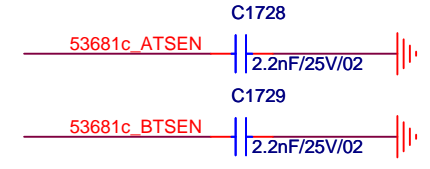
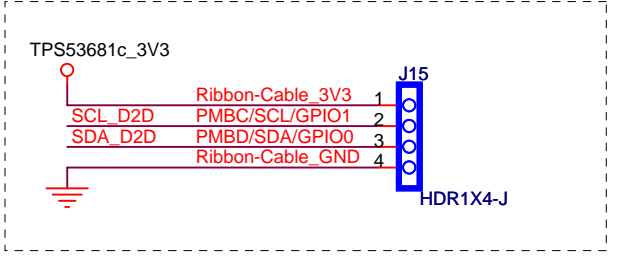
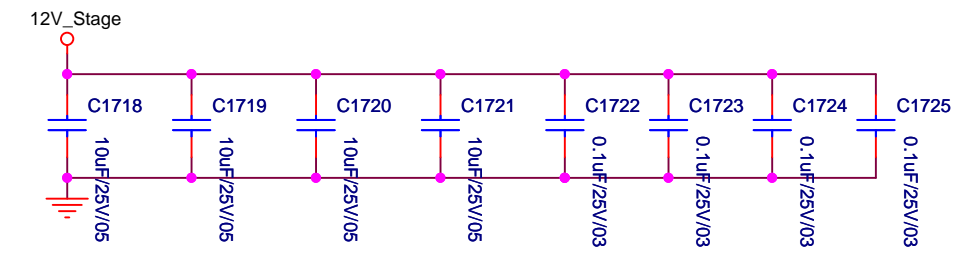
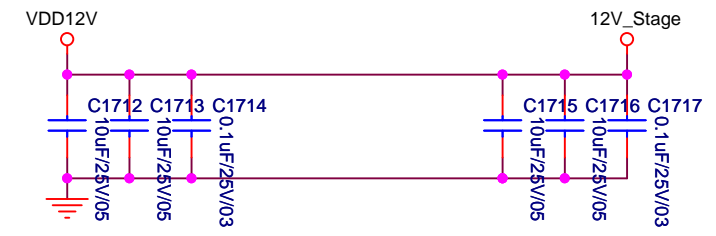
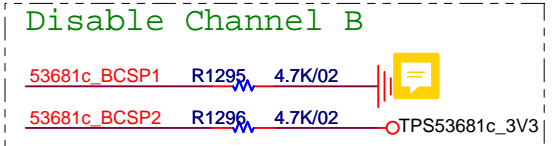
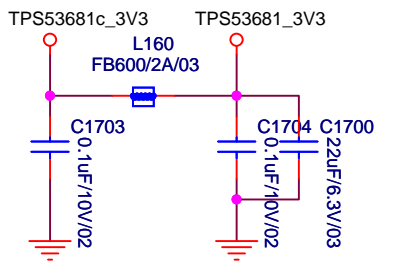
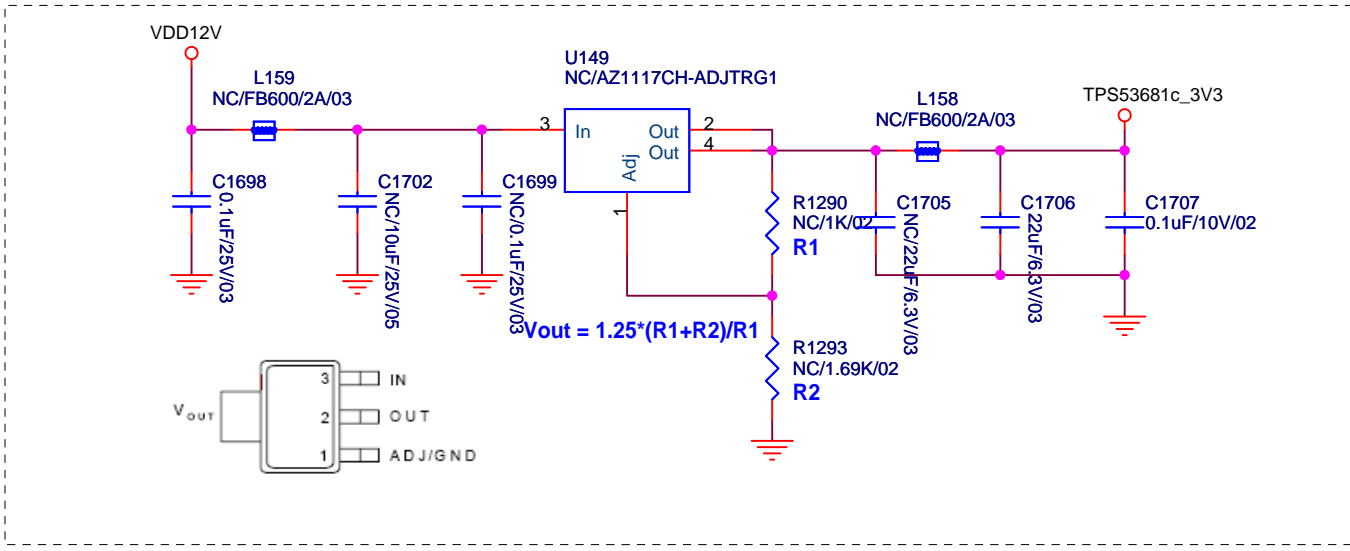
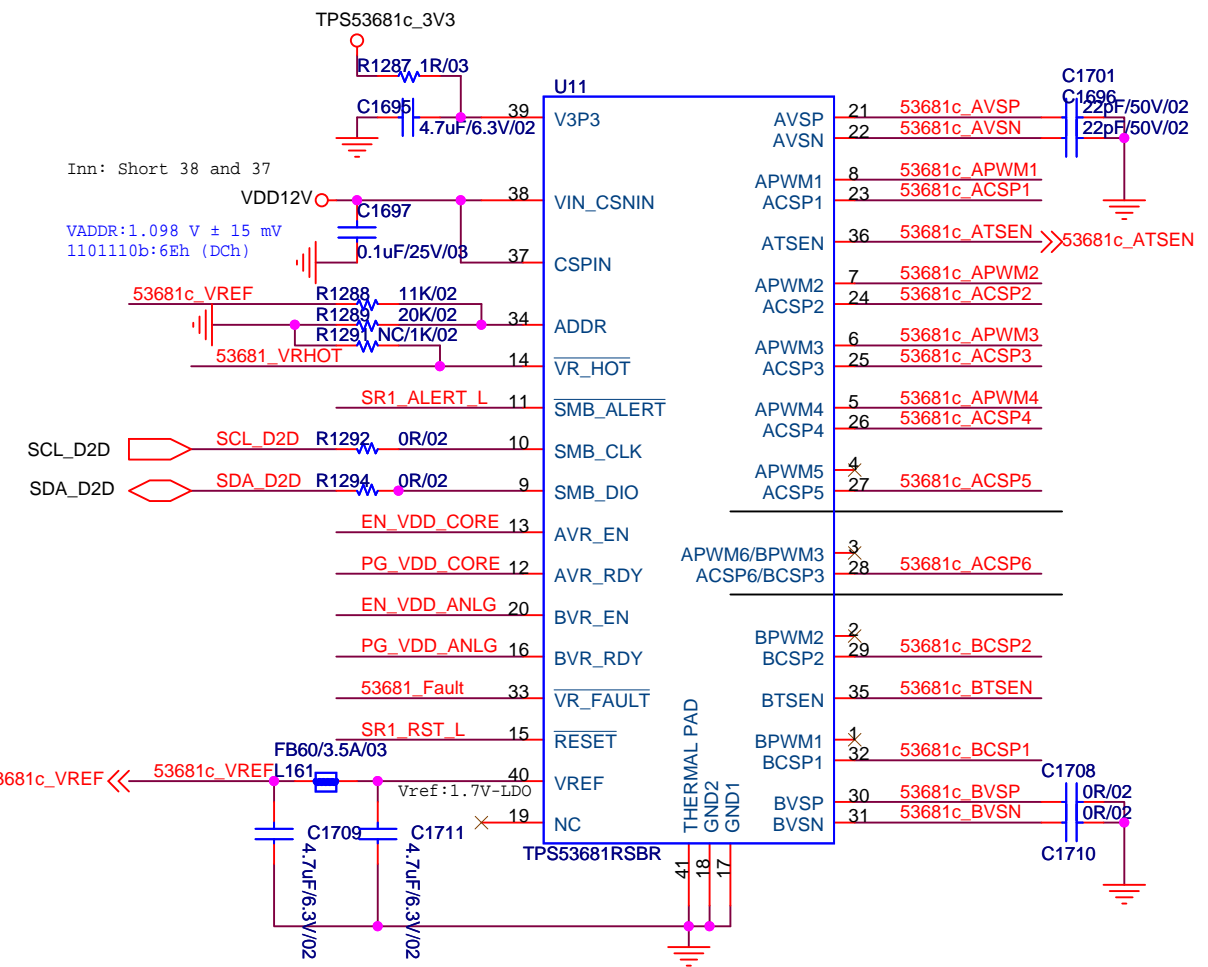


<b>Cameo Communication INC.</b>		
Title		
<b>Model Name : ESC601-32Q_Switch Board</b>		
Size B	Document Number	Rev
	<b>Power StageB:CSD95480-1.1V</b>	A1.3
Date:	Thursday, November 22, 2018	Sheet 37 of 41



<b>Cameo Communication INC.</b>		
Title		
<b>Model Name : ESC601-32Q_Switch Board</b>		
Size B	Document Number	Rev A1.3
TPS53681: 3.3V		
Date:	Thursday, November 22, 2018	Sheet 38 of 41





<b>Cameo Communication INC.</b>		
Title		
<b>Model Name : ESC601-32Q_Switch Board</b>		
Size B	Document Number	Rev
	<b>TPS53681: 0.9V</b>	A1.3
Date:	Thursday, November 22, 2018	Sheet 40 of 41

