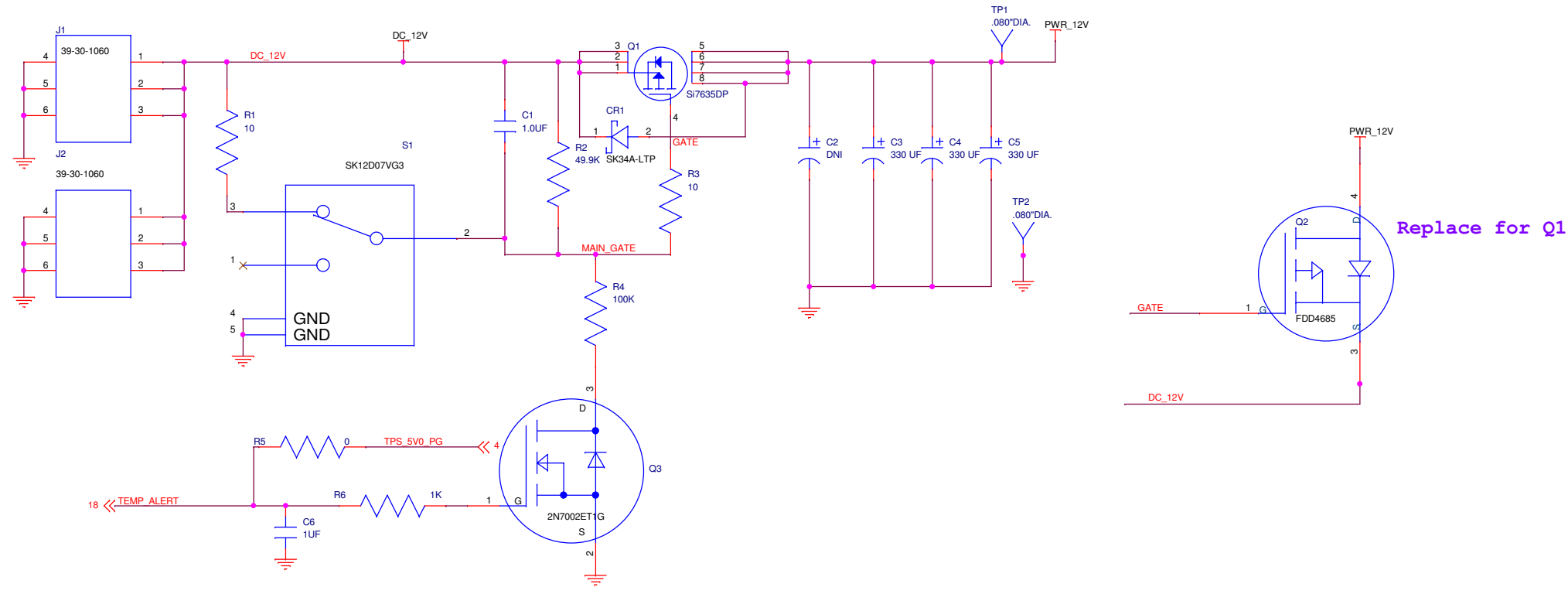
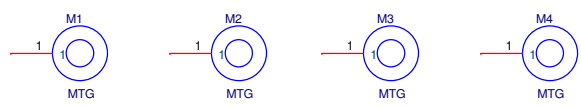
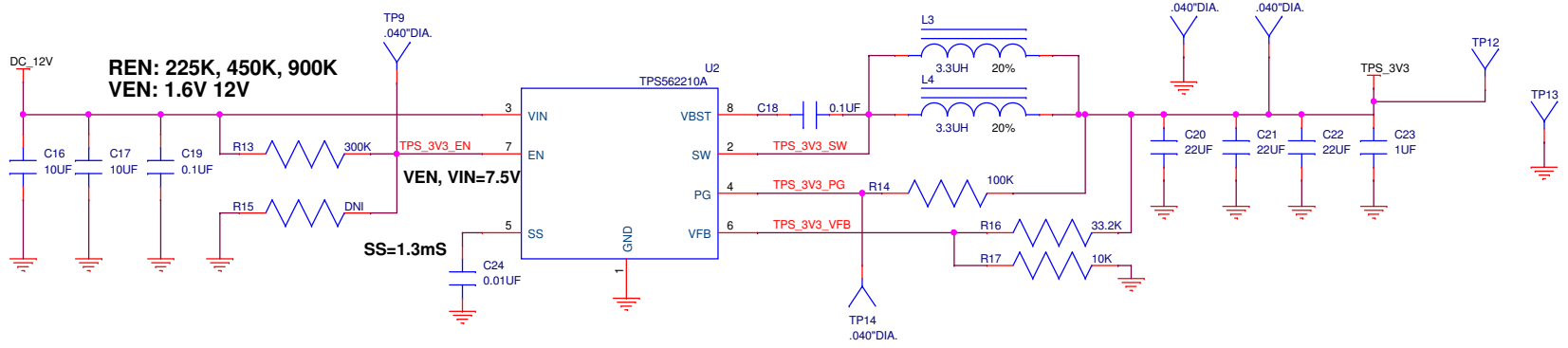
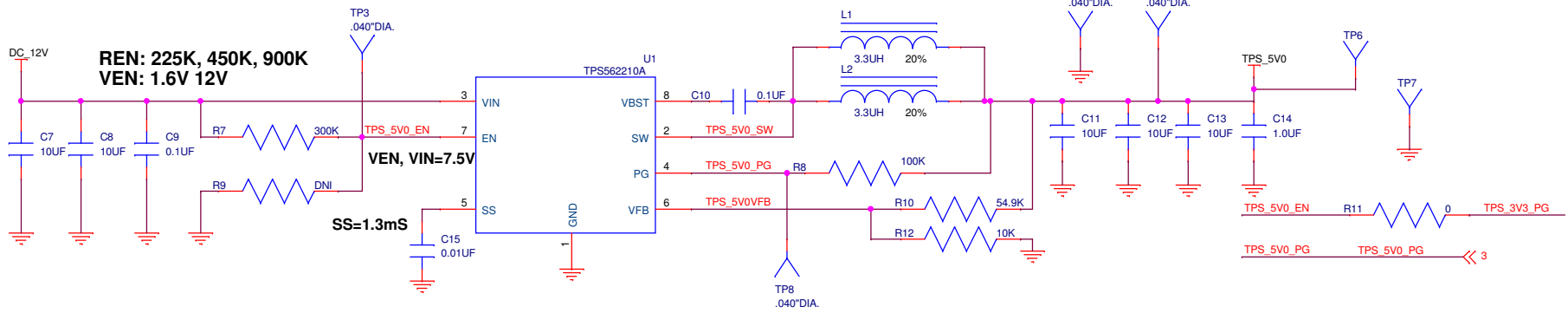


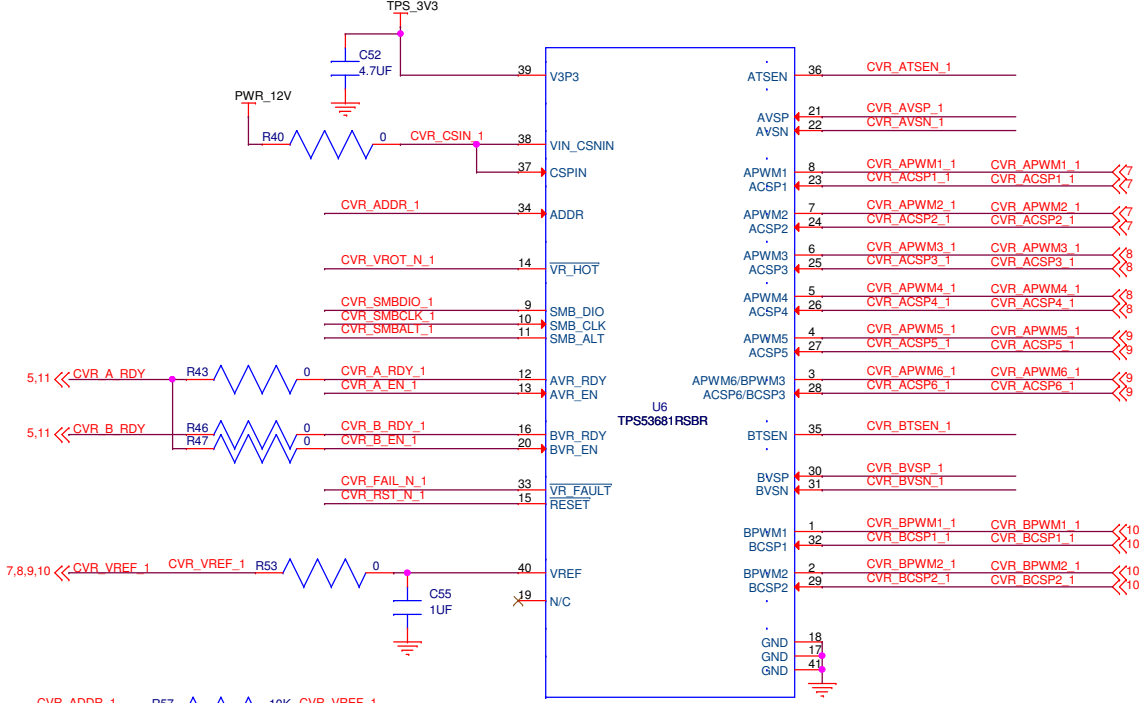
Figure 50. StartUp Waveforms



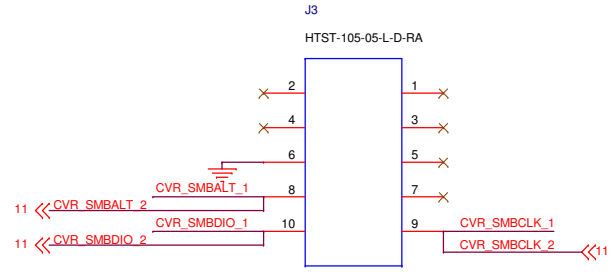
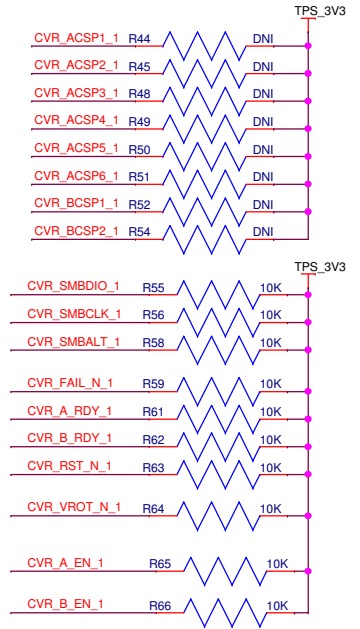
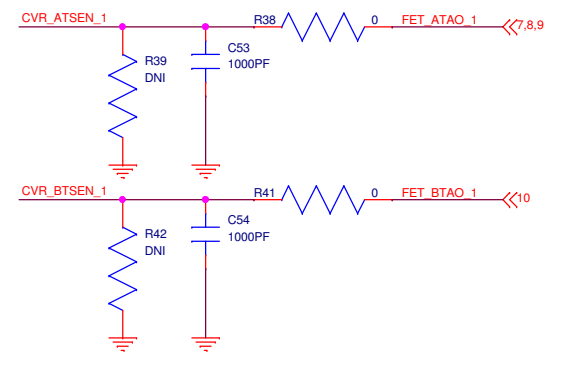
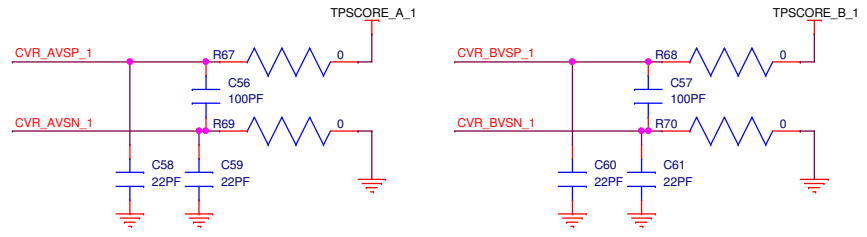
Replace for Q1



CSPIN, VIN\_CSNIN When input current sensing is not used, short VIN\_CSNIN to CSPIN and connect to the converter input voltage (example: 12 V).



$10K/10K == 0.85V$ :  
 SMB: 105D  
 IIC: D2H  
  
 $13.7K/10K == 0.717V$ :  
 SMB: 102D  
 IIC: CCH



5 4 3 2 1

