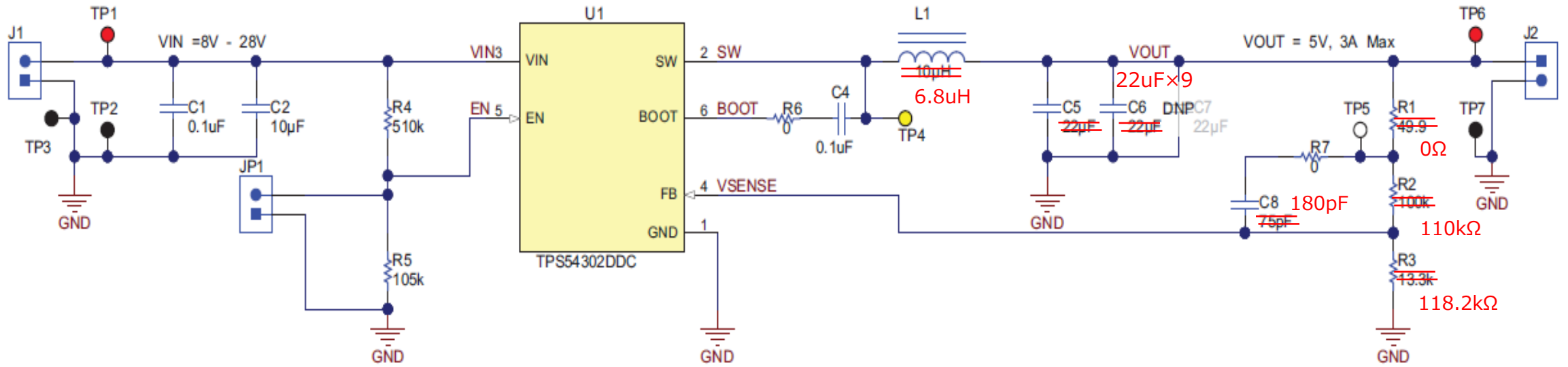


(Specification conditions)

Vin:12V

Vout:1.15V

Iout:2.4A(max)

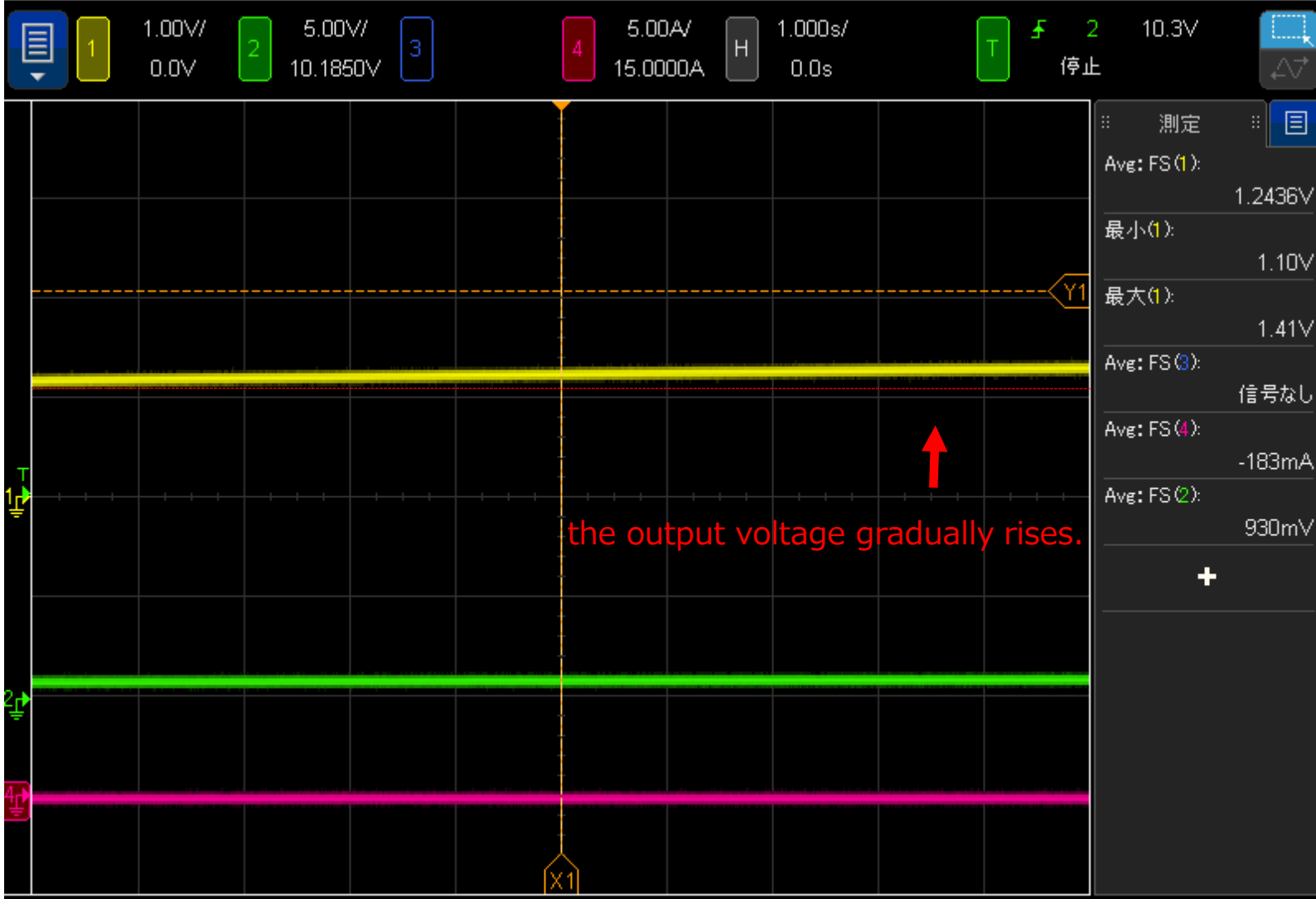


Copyright © 2016, Texas Instruments Incorporated

Figure 17. TPS54302EV716 Schematic

# Wave form①

Nothing is connected to the load



(Wave point)  
Ch1 : Output Voltage  
Ch2 : Switching Voltage  
Ch3 : Inductor Current

(Question)

Q1

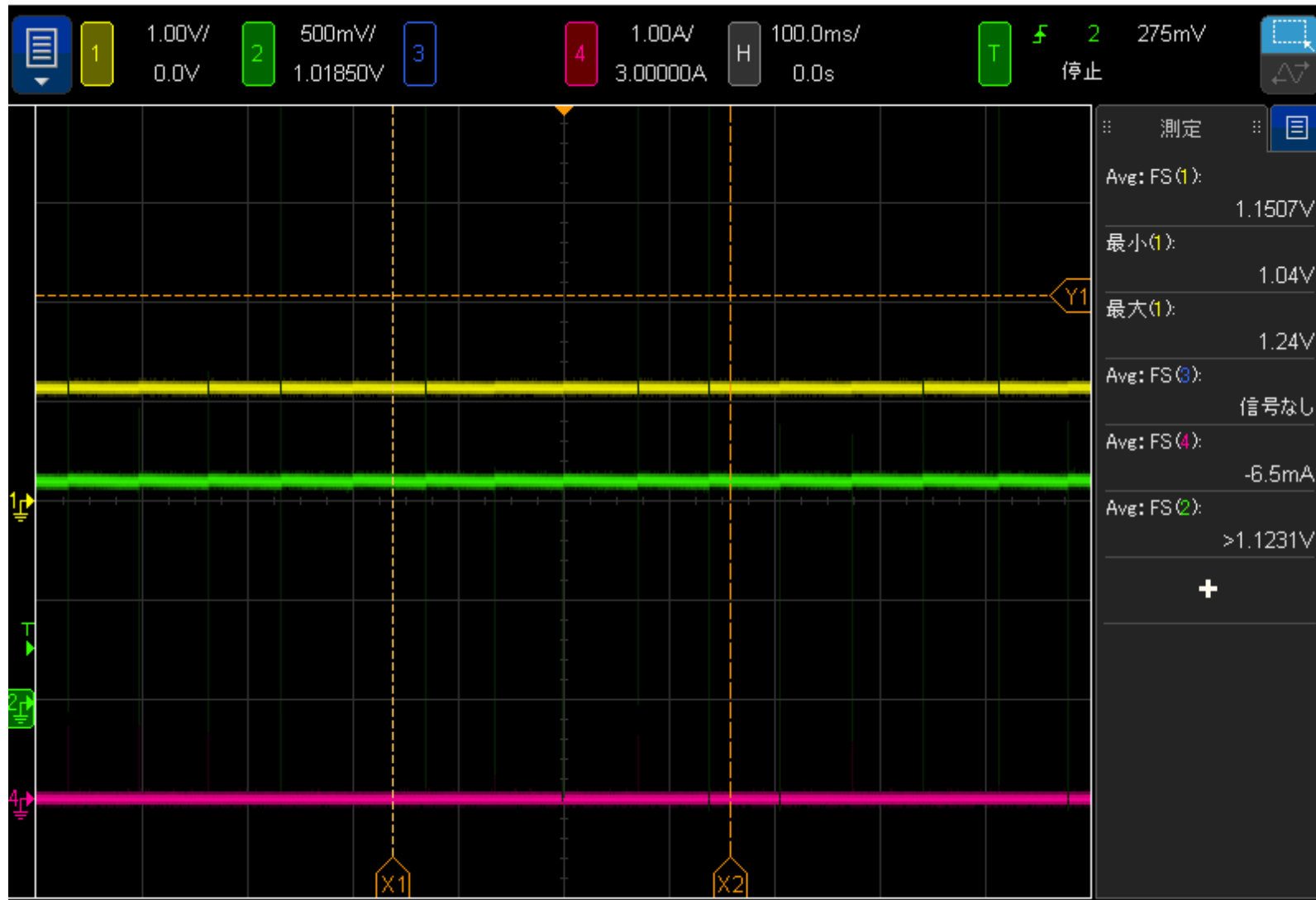
What is the cause of the gradual increase in output voltage?

Q2

What should be corrected in the circuit to output the output voltage stably when not connected?

## Wave form②

An electronic load is connected to the no load,



(Wave point)

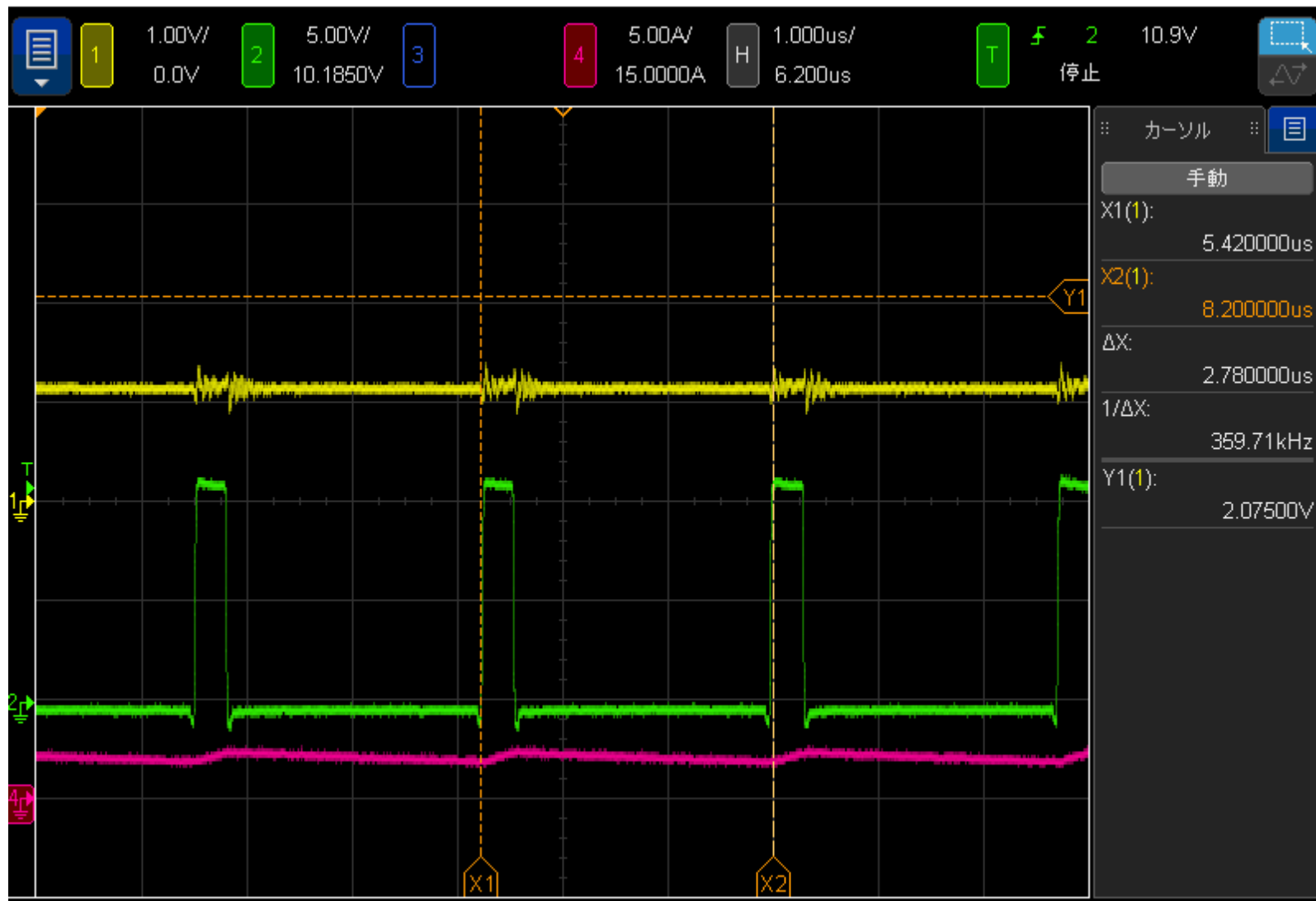
Ch1 : Output Voltage

Ch2 : Switching Voltage

Ch3 : Inductor Current

### Wave form③

An electronic load is connected to the 2A load,



(Wave point)

Ch1 : Output Voltage

Ch2 : Switching Voltage

Ch3 : Inductor Current