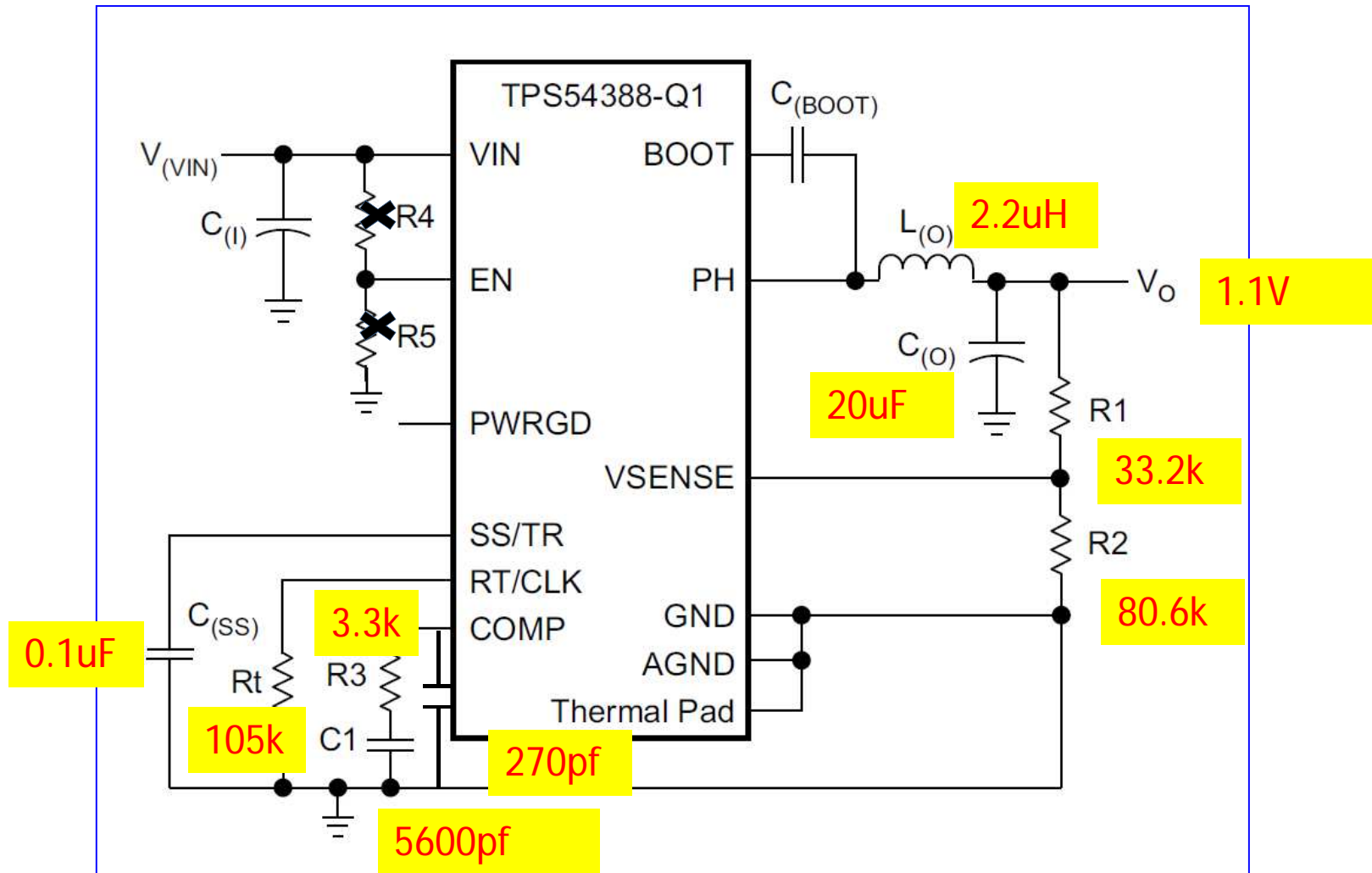
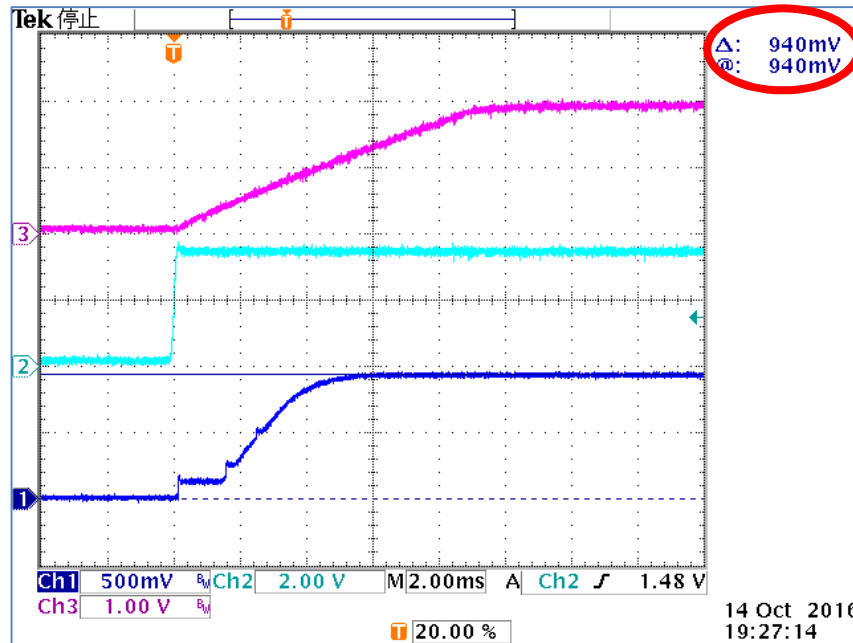


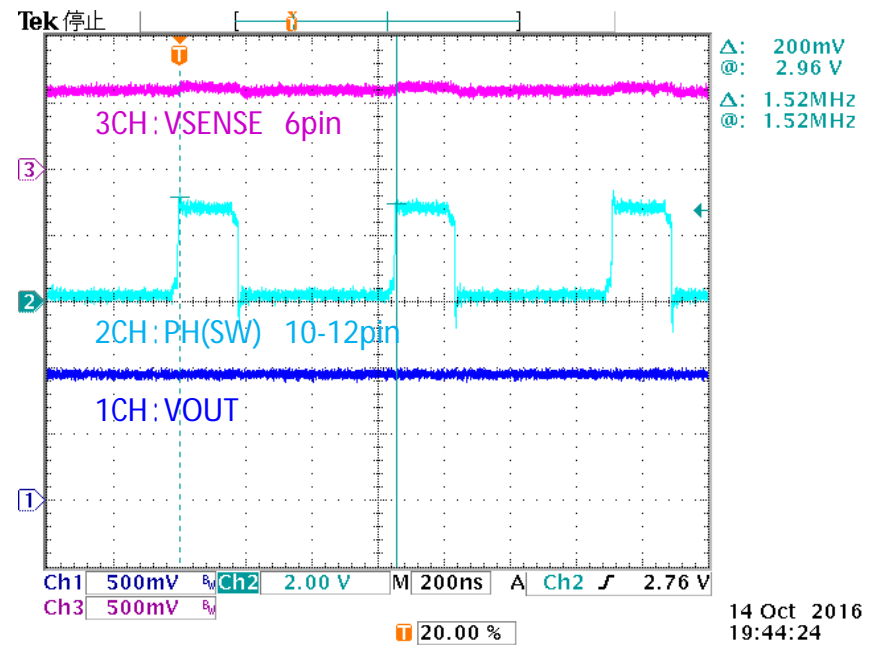
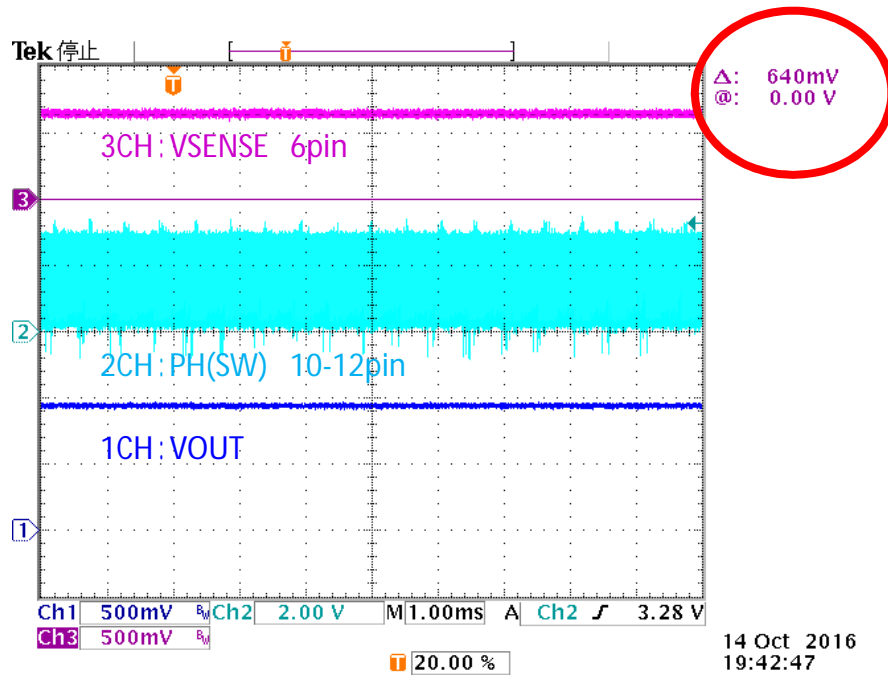
Circuit



Start up Waveform at no load condition



Steady state waveform at no load condition



Problem

They set V_{out} 1.1V ,but they found V_{out} was around 0.9V
They checked V_{SENSE} ,they found V_{SENSE} was around 0.64V.