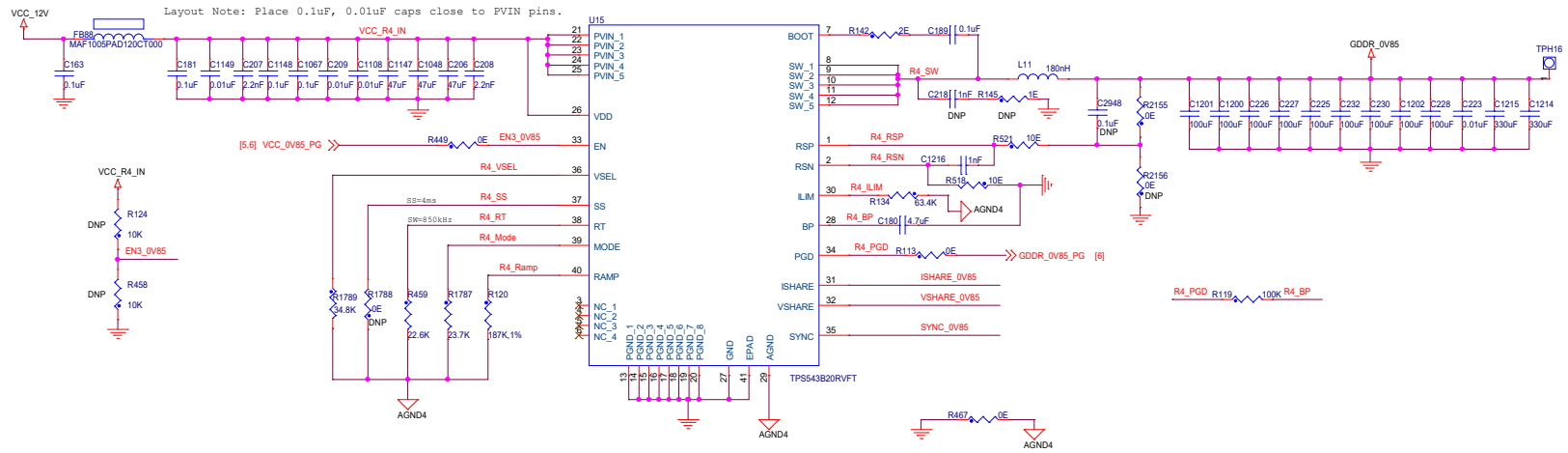


12V to 0.85V 25A Stacked Regulator 1 for GDDR rail



12V to 0.85V 25A Stacked Regulator 2 for GDDR rail

