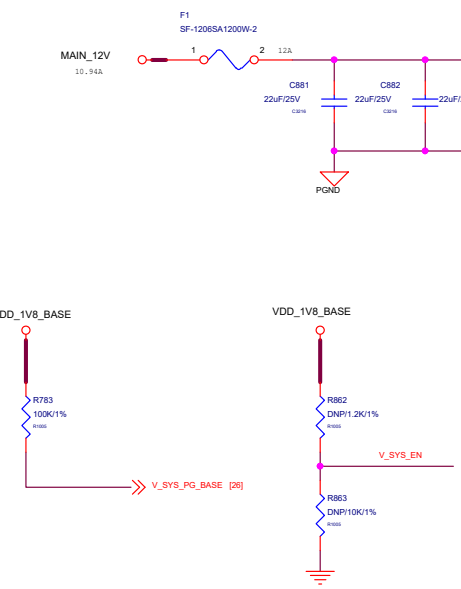
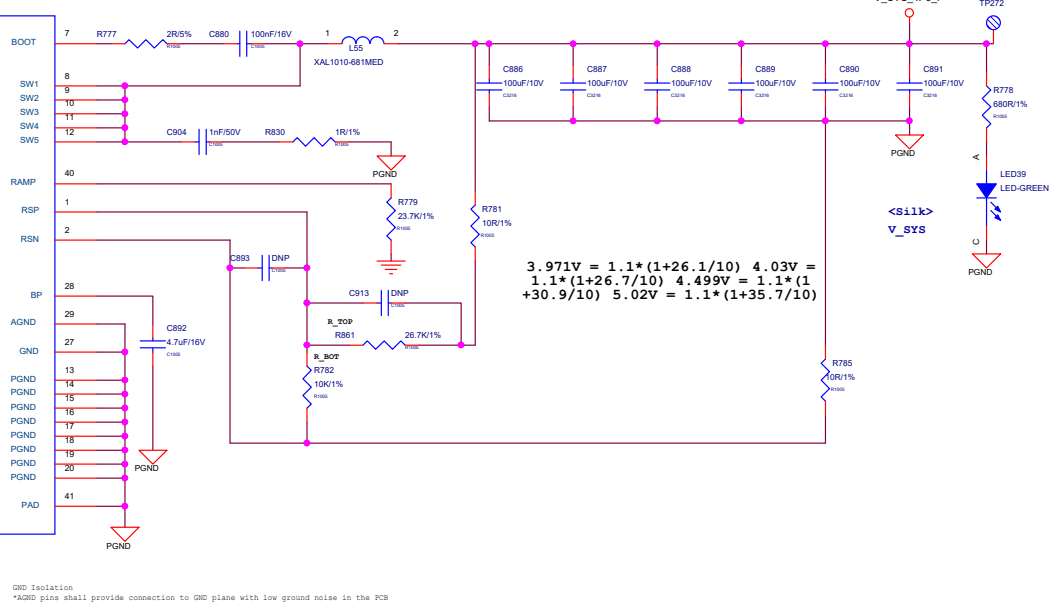
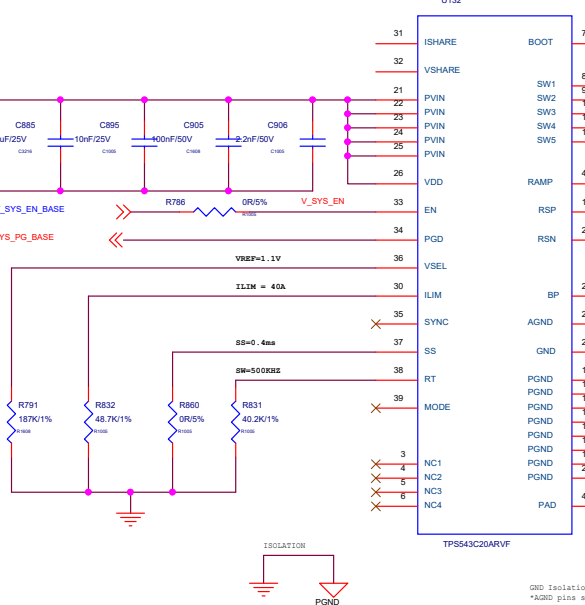


V_SYS_PWR



$V_{OUT} = 1.1 * (1 + R_{TOP} / R_{BOT})$



GND Isolation
 *AGND pins shall provide connection to GND plane with low ground noise in the PCB

