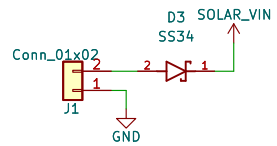
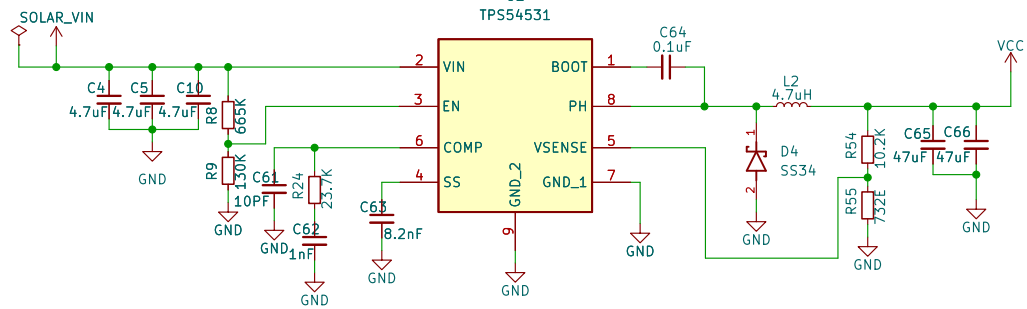


VCC_INPUT



BUCK CONVERTER



Sheet: /Power_supply/
File: Power_supply_sch.kicad_sch

Title:

Size: A4
KiCad E.D.A. kicad (6.0.11)

Date:

Rev:
Id: 2/5