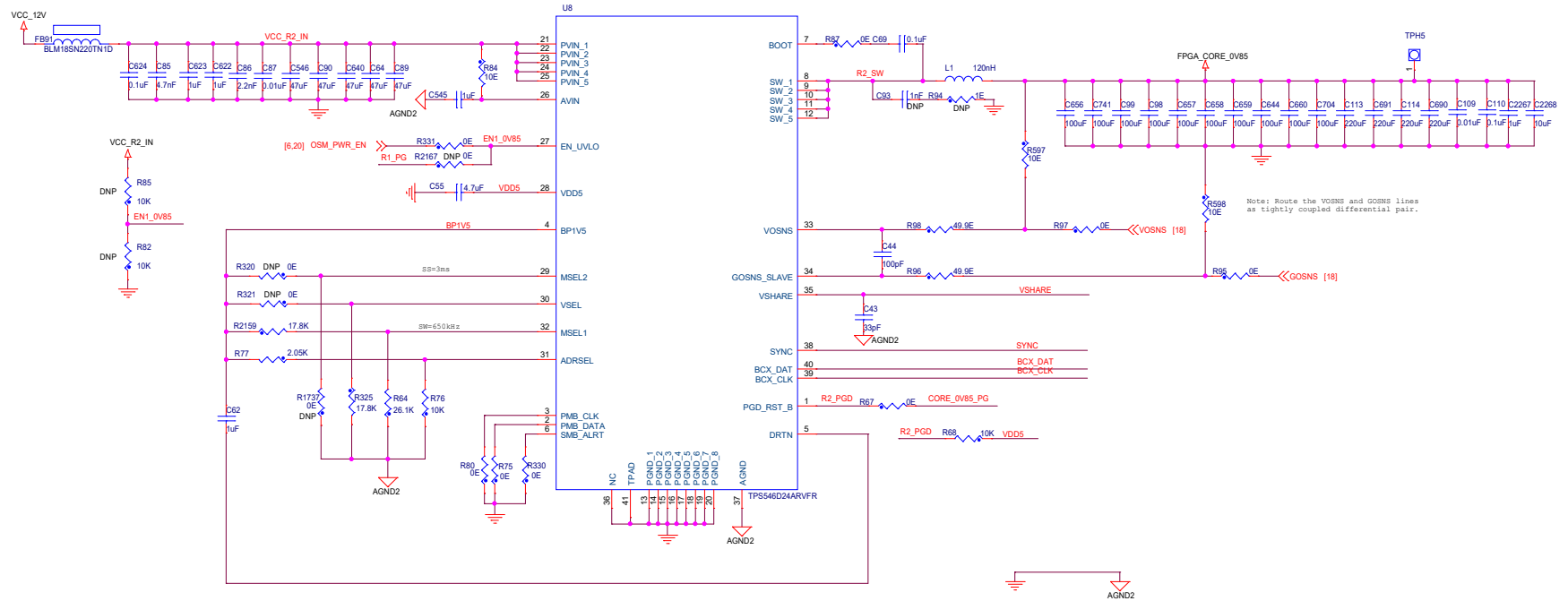


12V to 0.85V 40A Stacked Regulator-1



12V to 0.85V 40A Stacked Regulator-2

