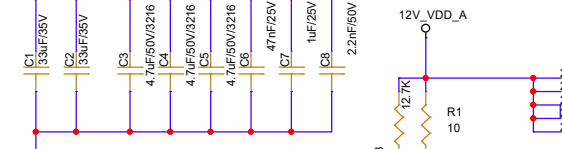
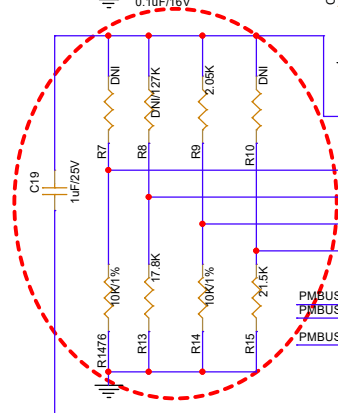


12V_VDD_A EN/UVLO Voltage rising threshold typ 1.05V

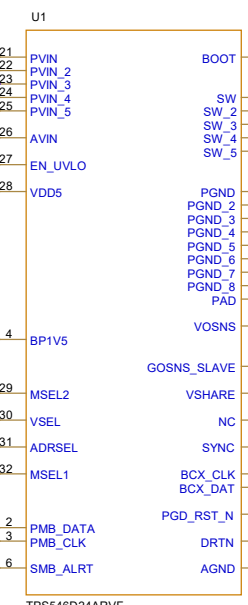
+12V DC Input



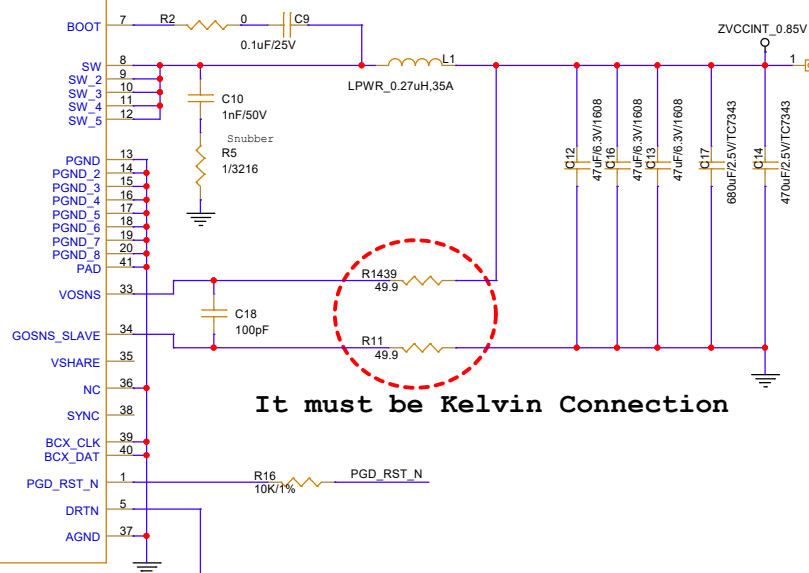
EN_FPGA_1ST



Fsw = 550kHz
OCP = 30A/39A



TPS546D24ARVF



[SILK : VCCINT_0.85]

0.85V, 17A Typical

It must be Kelvin Connection

ZYNQ_3.3V

