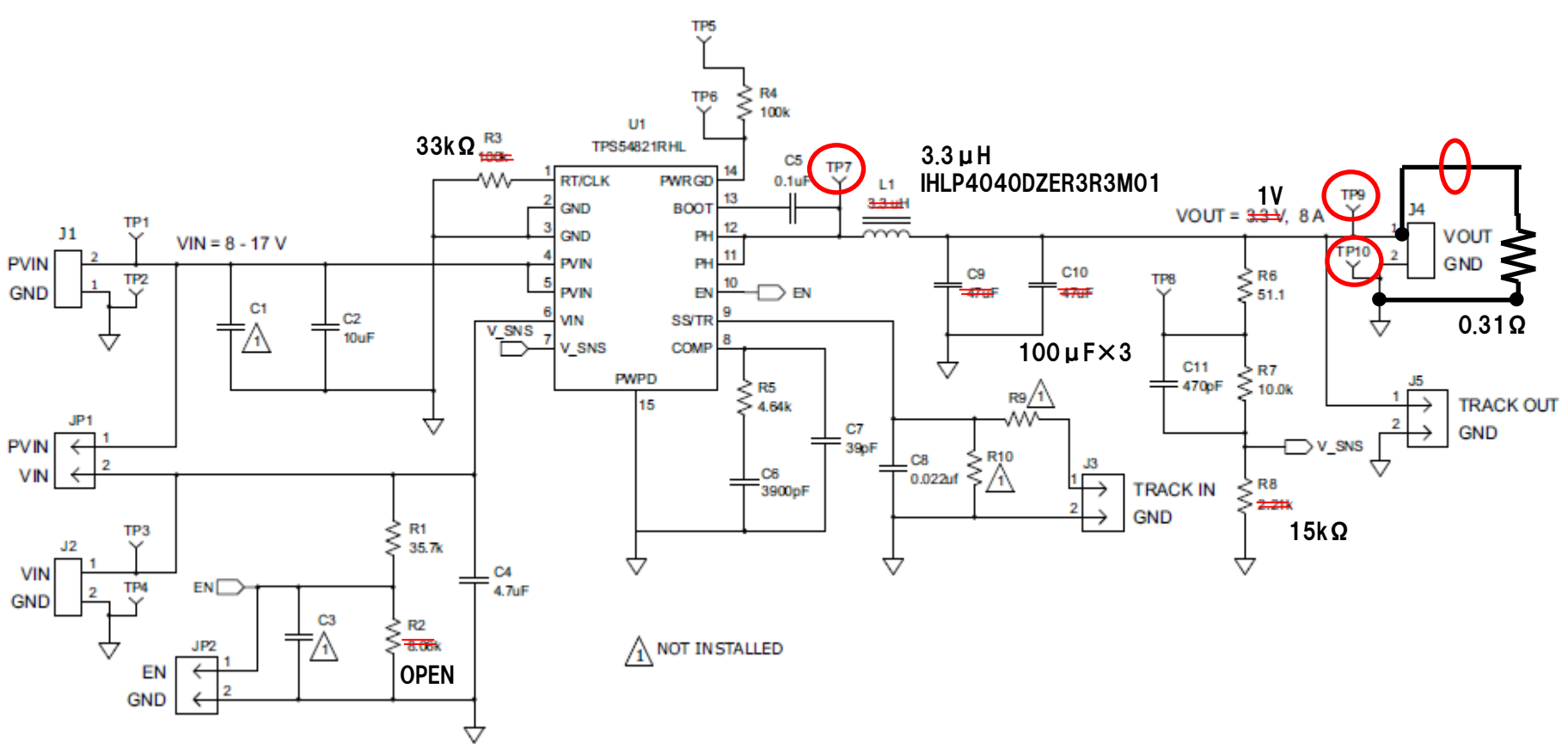
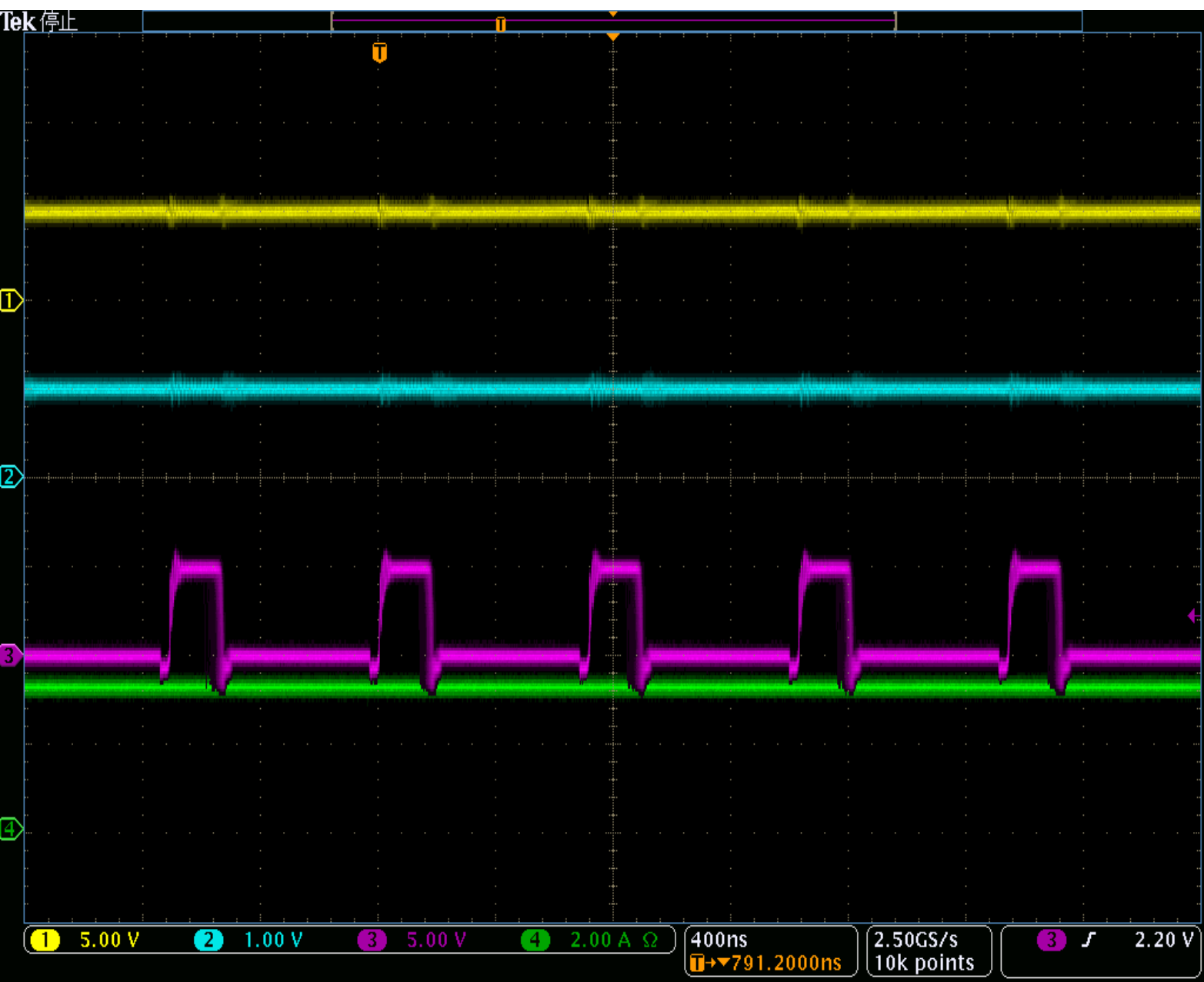


# TPS54821EVM



Result ①

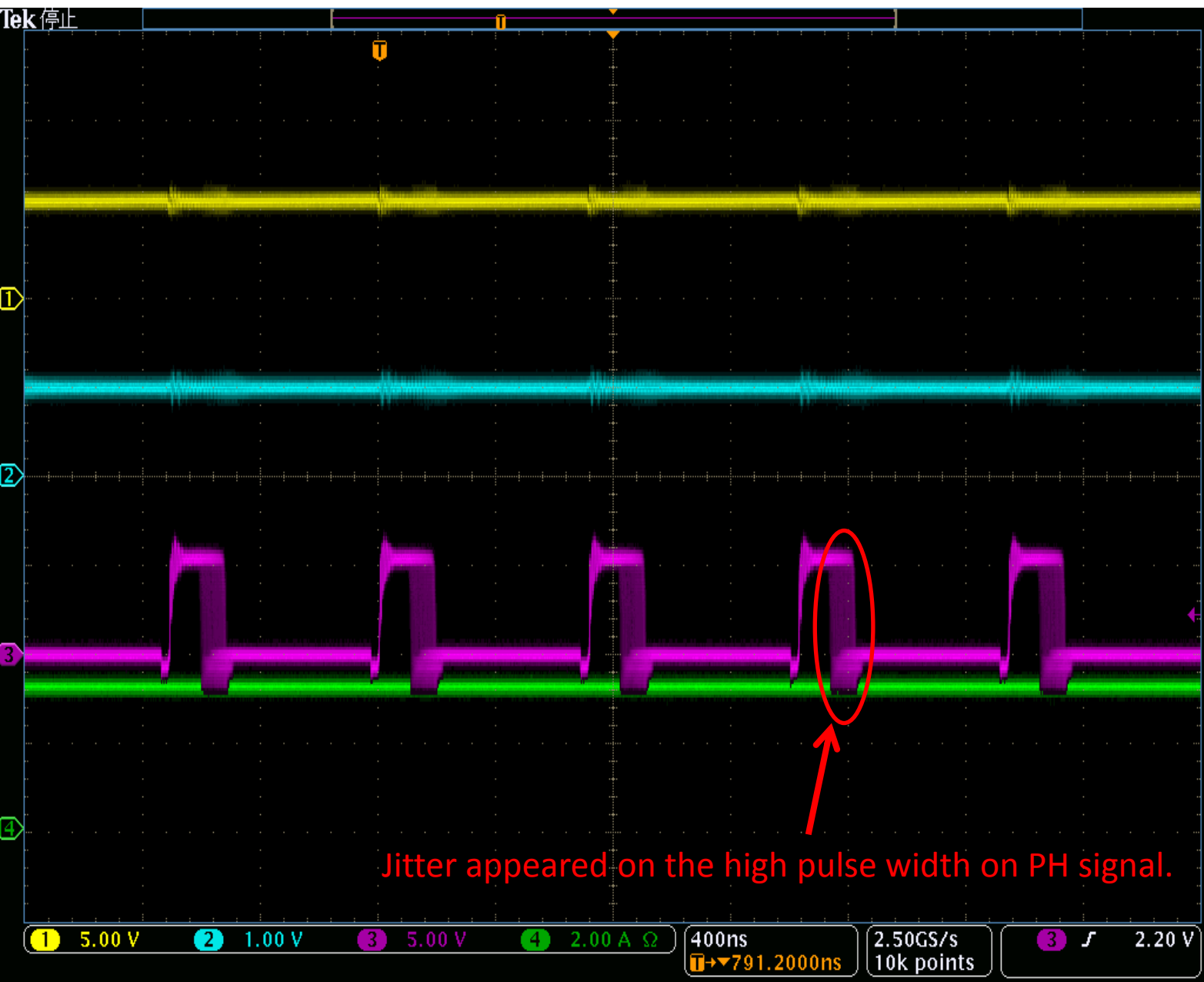
# VIN 5V



27 2月 2015  
13:53:46

Result ②

VIN 5.5V



CH1: Vout  
CH2: Vout  
Ch3: SW  
CH4: Iout

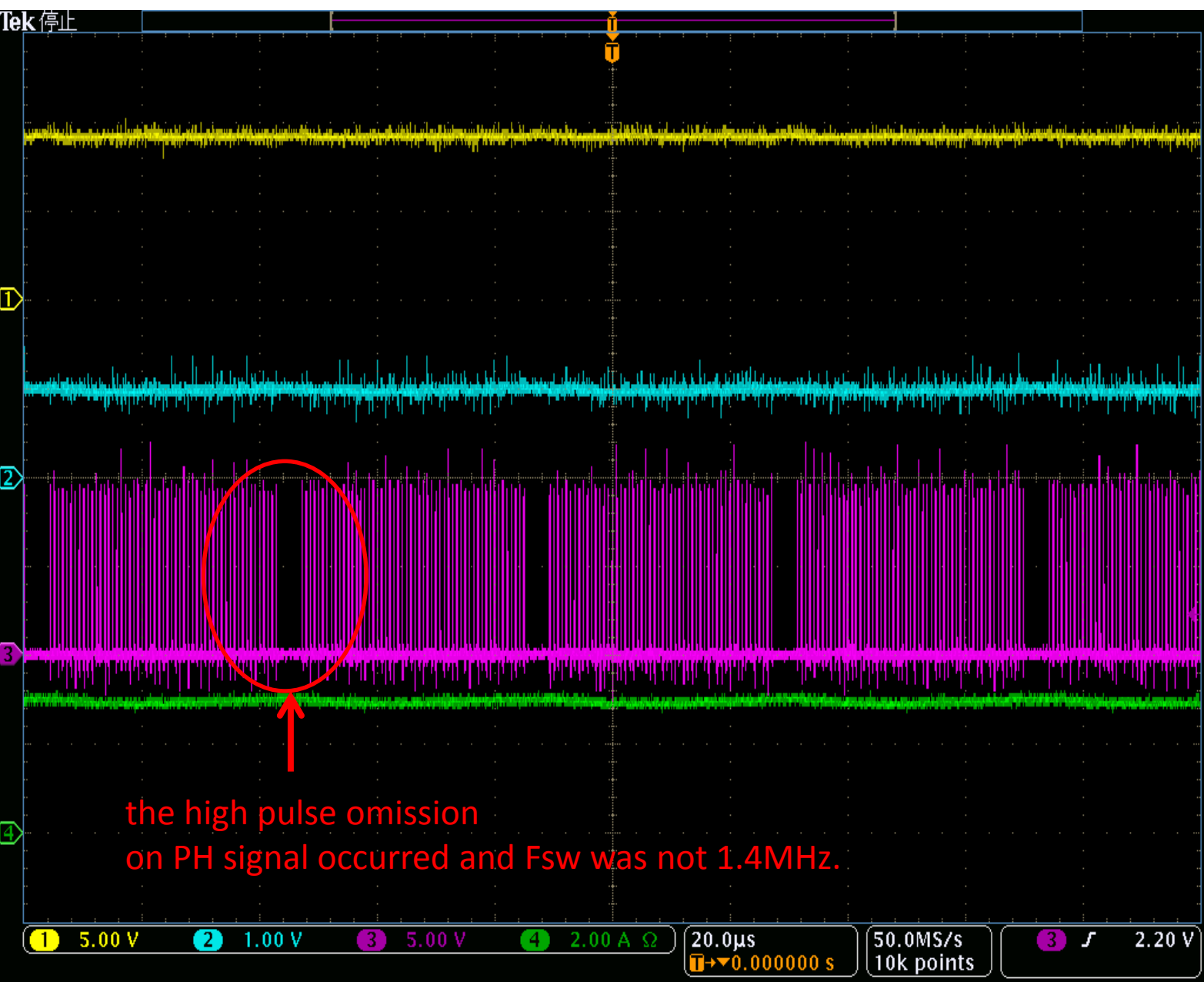
VIN	5.5V
Vout	1V
Iout	3.2A

Jitter appeared on the high pulse width on PH signal.

27 2月 2015  
13:54:00

Result ③

# VIN 9V

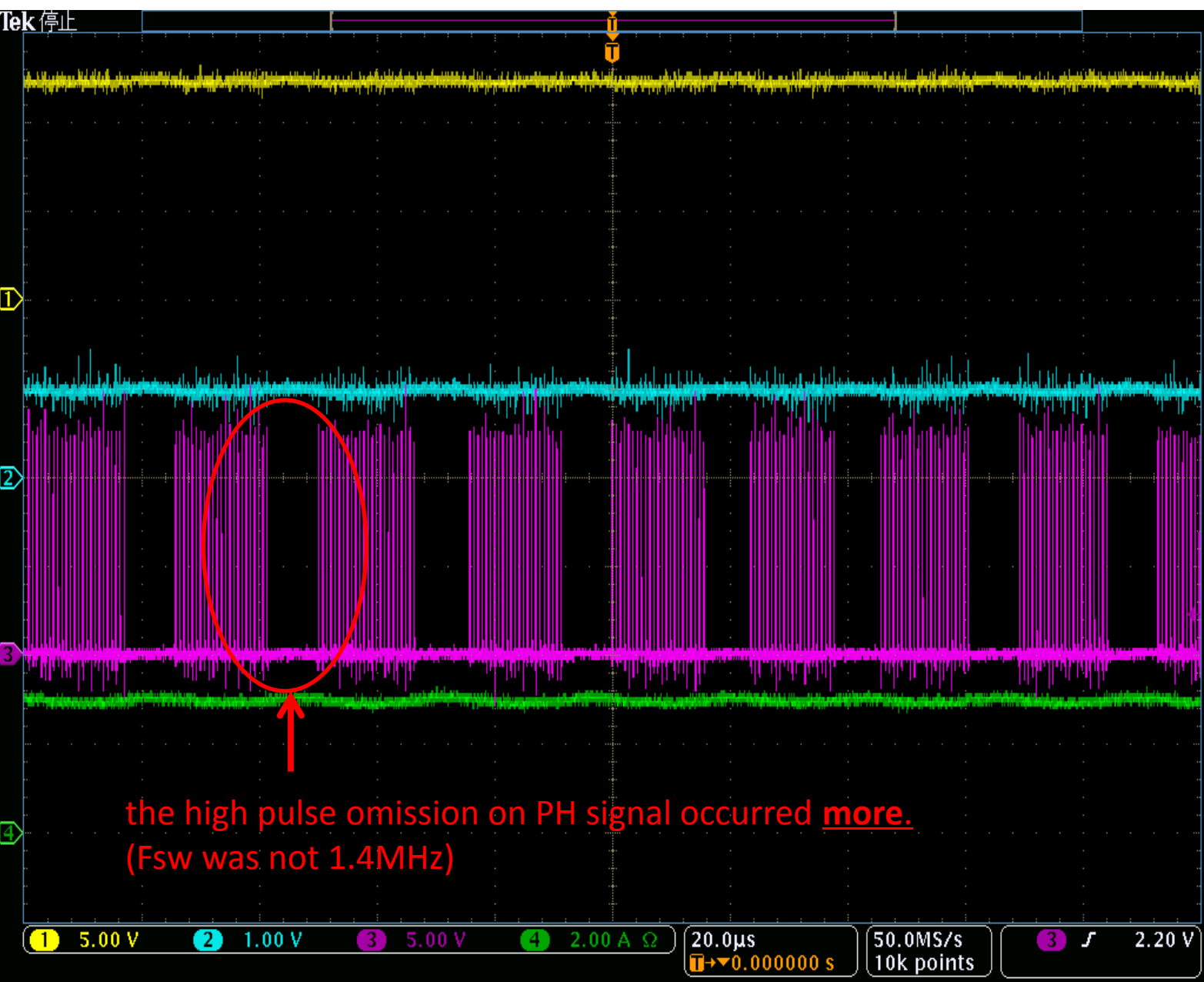


VIN	9V
Vout	1V
Iout	3.2A

Result ④



# VIN 12V



CH1: Vin  
CH2: Vout  
Ch3: SW  
CH4: Iout

VIN	12V
Vout	1V
Iout	3.2A

the high pulse omission on PH signal occurred more.  
(Fsw was not 1.4MHz)