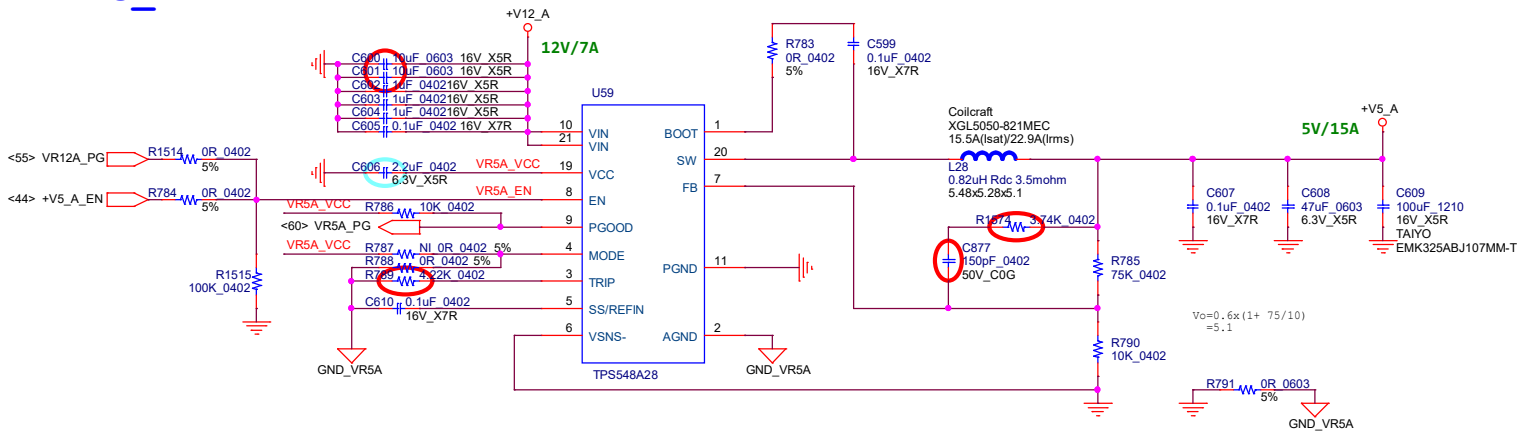
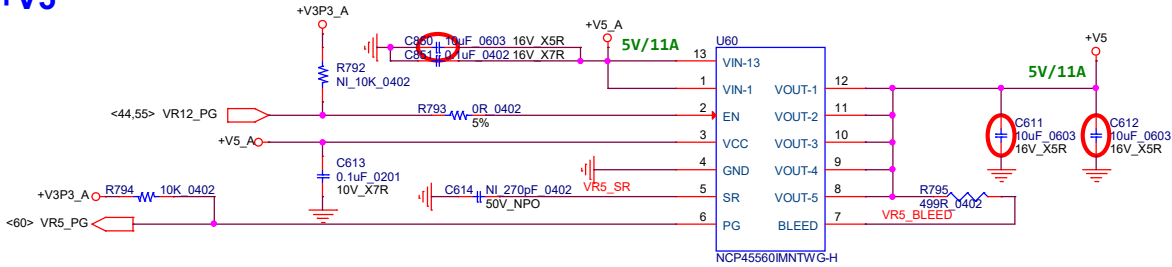


+V5_A



+V5



Title		
+V5_A +V5		
Size	Document Number	Rev
A4	GEN13	0.1
Date:	Tuesday, February 06, 2024	Sheet 56 of 66