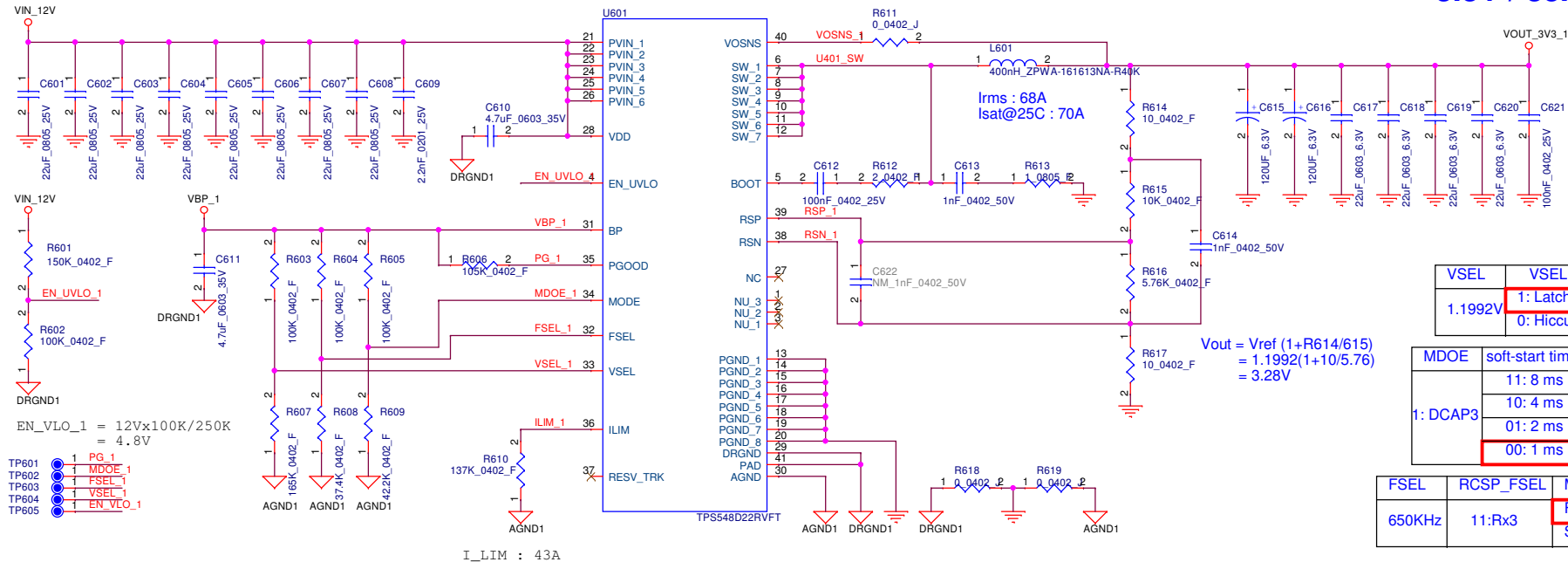


12V

3.3V / 35A



EN_VLO_1 = 12Vx100K/250K = 4.8V

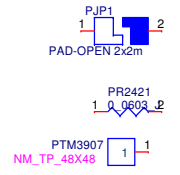
TP601 PG_1
 TP602 MDOE_1
 TP603 FSEL_1
 TP604 VSEL_1
 TP605 EN_VLO_1

VSEL	VSEL	R_VSEL (Kohm)
1.1992V	1: Latch-Off	165
	0: Hiccup	147

MDOE	soft-start timing	R_MODE (Kohm)
1: DCAP3	11: 8 ms	60.4
	10: 4 ms	53.6
	01: 2 ms	47.5
	00: 1 ms	42.2

FSEL	RCSP_FSEL	MODE	R_FSEL (Kohm)
650KHz	11:Rx3	FCCM	37.4
		SKIP	33.2

$$V_{out} = V_{ref} (1 + R_{614}/R_{615}) = 1.1992(1 + 10/5.76) = 3.28V$$



THIS SHEET OF ENGINEERING DRAWING IS THE PROPRIETARY PROPERTY OF COMPAL ELECTRONICS, INC. AND CONTAINS CONFIDENTIAL AND TRADE SECRET INFORMATION. THIS SHEET MAY NOT BE TRANSFERRED FROM THE CUSTODY OF THE COMPETENT DIVISION OF R&D DEPARTMENT EXCEPT AS AUTHORIZED BY COMPAL ELECTRONICS, INC. NEITHER THIS SHEET NOR THE INFORMATION CONTAINS MAY BE USED BY OR DISCLOSED TO ANY THIRD PARTY WITHOUT PRIOR WRITTEN CONSENT OF COMPAL ELECTRONICS, INC.

Compal Electronics, Inc./SDBG

Title: SCHEMATIC, M/B GA-711(Power Supply-1)

Size: A3 Document Number: 601B44 Rev: AA

Date: Wednesday, November 08, 2023 Sheet: 6 of 9