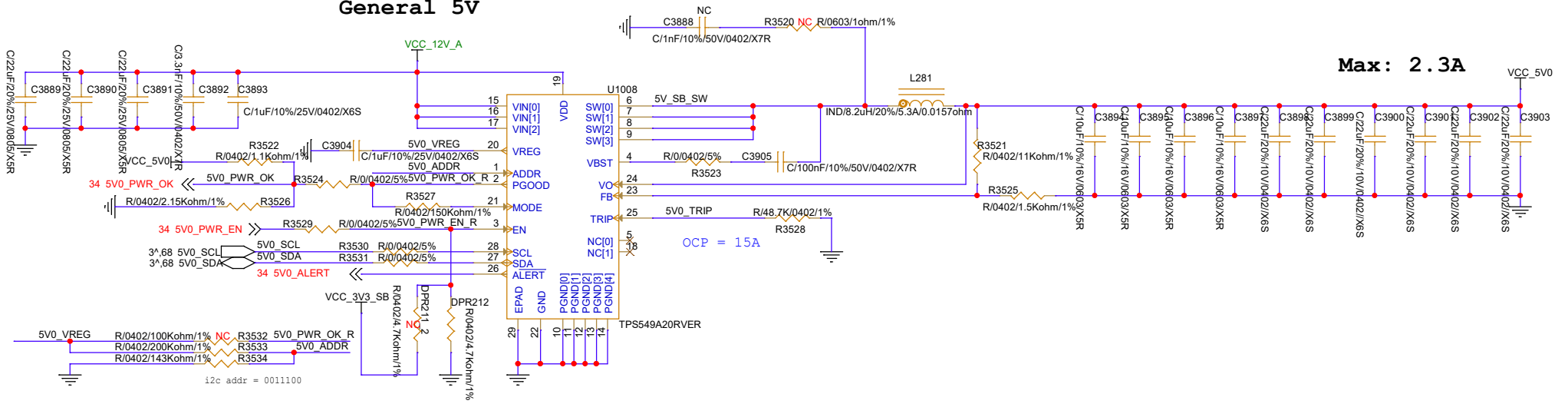


General 5V



Title		
<Title>		
Size	Document Number	Rev
B	<Doc>	<RevCode>
Date:	Saturday, April 27, 2024	Sheet 1 of 1