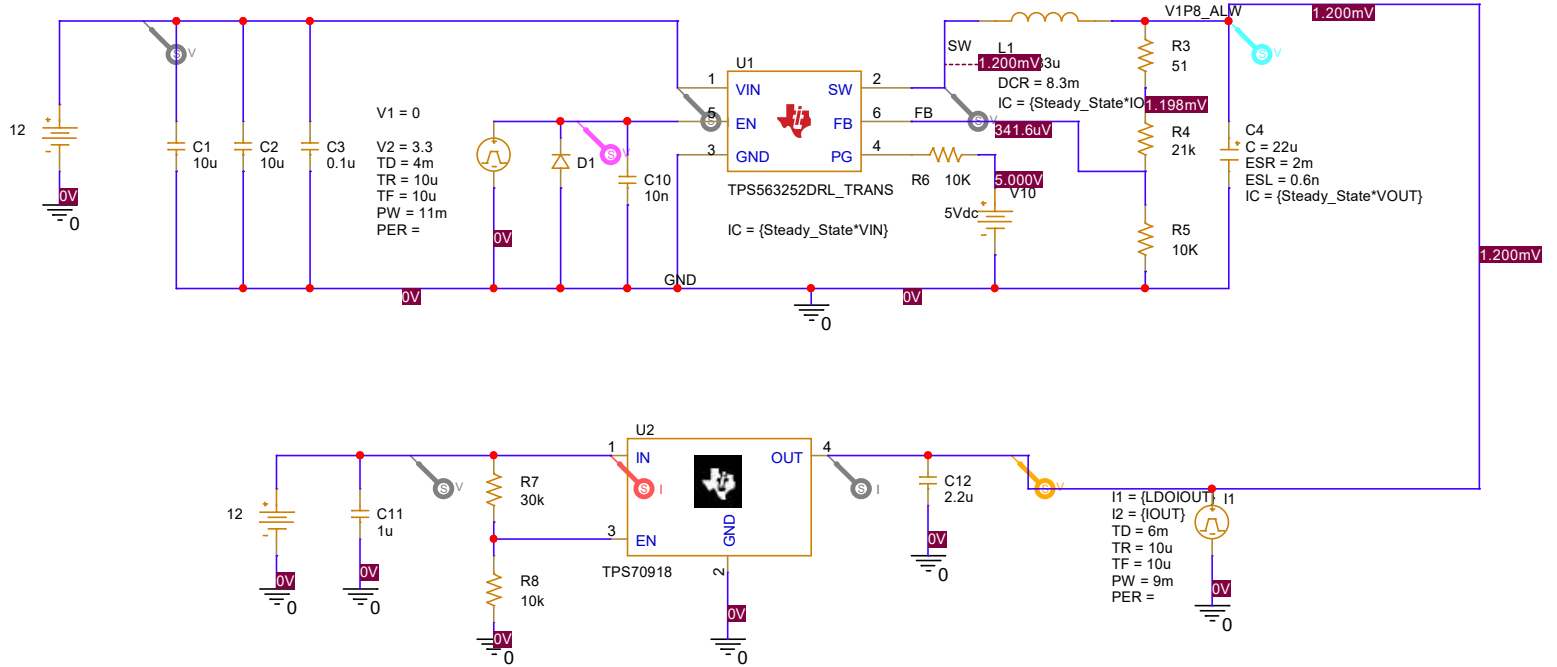


# TPS563252 + TPS709 Switchover Waveforms

**PARAMETERS:**

VOUT = 1.8  
 Steady\_State = 0  
 IOUT = 3  
 VIN = 12  
 LDOIOUT = 200m



Title		<Title>
Size	Document Number	Rev
A	<Doc>	<RevCod>
Date:	Wednesday, June 19, 2024	Sheet 1 of 1