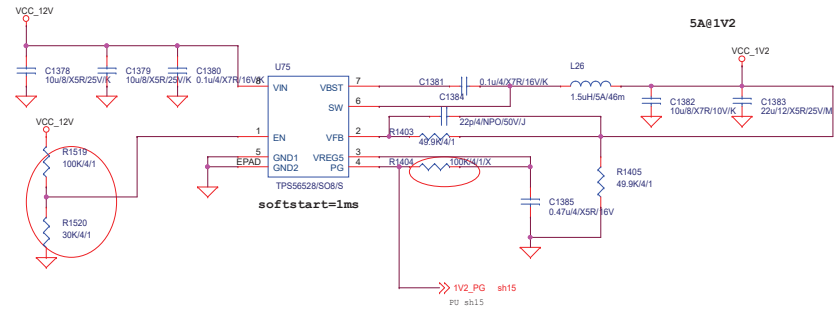
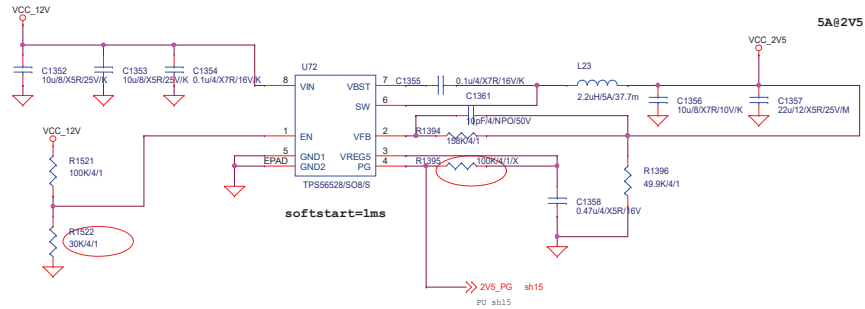


1.8V, 2.5V, 1.2V, 1.15V: soft start = 1ms



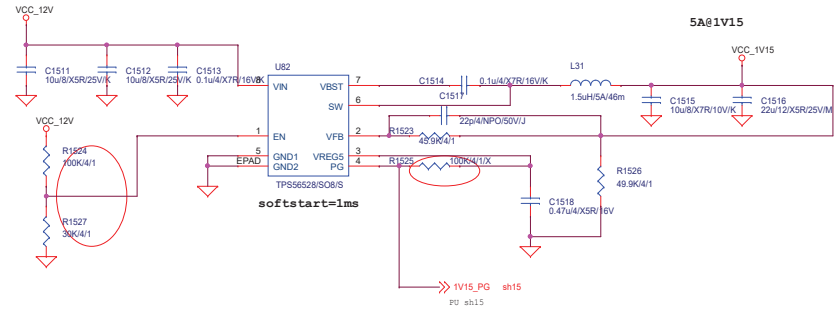
softstart=1ms

1V2\_PG sh15



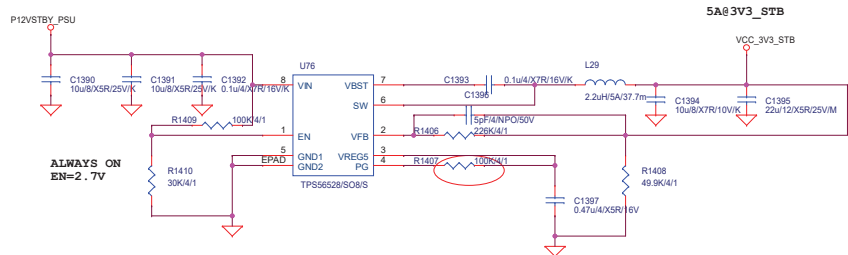
softstart=1ms

2V5\_PG sh15



softstart=1ms

1V15\_PG sh15



ALWAYS ON  
EN=2.7V

EXCEPT 3.3VSTB ALL POWER RAILS COME UP AT THE SAME TIME. 3.3V MUST NOT COME UP BEFORE 1.8V (PM40100-DEVICE SPEC)

File: Rugged_JBOF_Schematic		
Size C	Document Number <Doc>	Rev 0.3
Date: Wednesday, May 13, 2020	Sheet 38	of 42