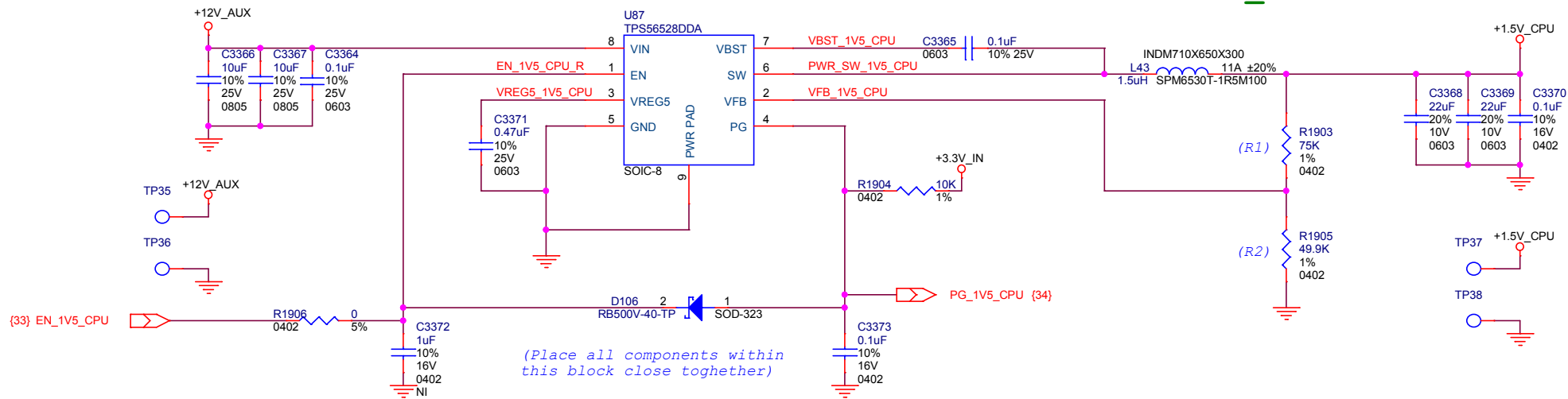


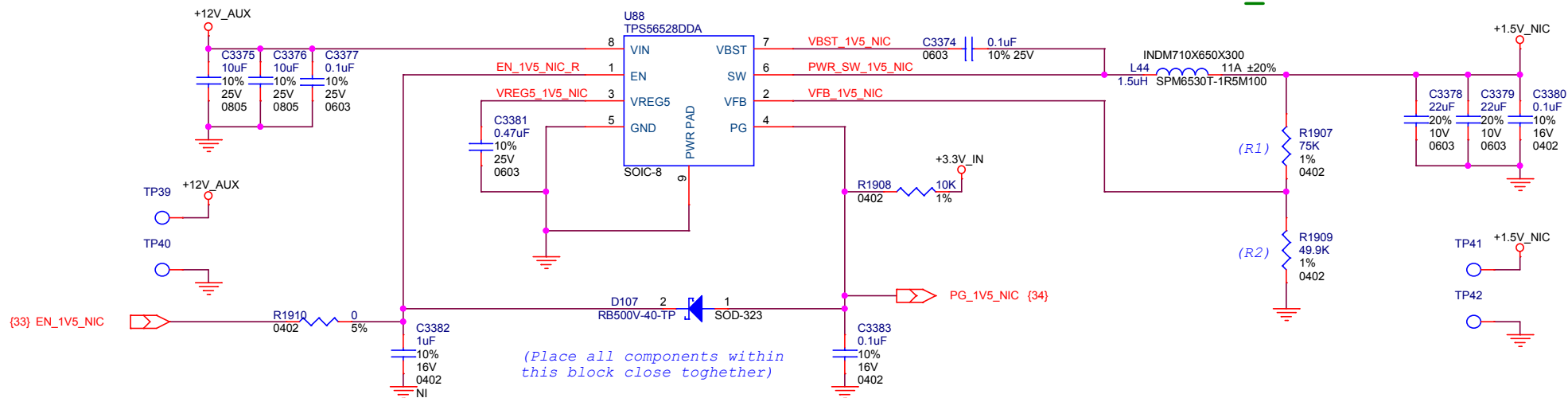
$$(V_{OUT} = 0.6 \times (1 + R1/R2))$$

### +1.5V\_CPU @5A Max



$$(V_{OUT} = 0.6 \times (1 + R1/R2))$$

### +1.5V\_NIC @5A Max



© VERiK Proprietary & Confidential

Title: +1.5V_CPU,+1.5V_NIC				
Size B	Document Number V-xxxx-xxxx	Engineer: VERiK	Drawn By: VERiK	Rev 0.6
Date: Monday, June 29, 2015	Sheet 22 of 118			