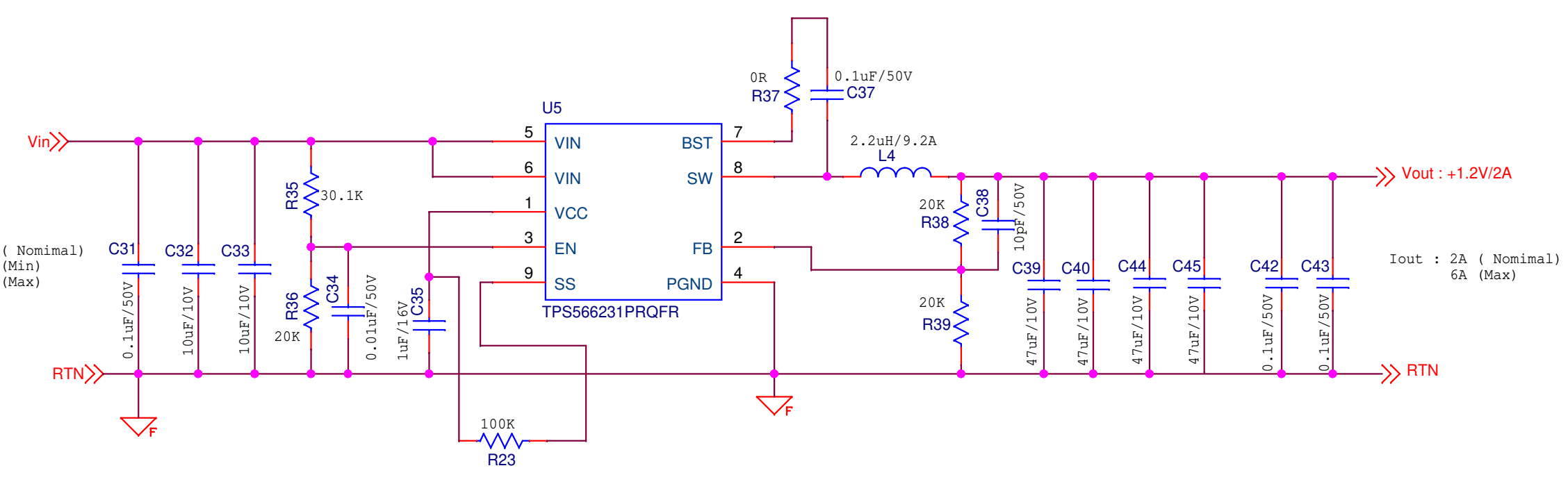


Vin : 3.3V (Nomimal)
 3.0V (Min)
 4.0V (Max)



Vout : +1.2V/2A
 Iout : 2A (Nomimal)
 6A (Max)

Title		Dual Output DC-DC Converter	
Size	Document Number : xxxx-xx-xx		Rev
A4			00
Date:	Sheet 1 of 1		