

1 2 3 4 5 6 7 8

A

A

B

B

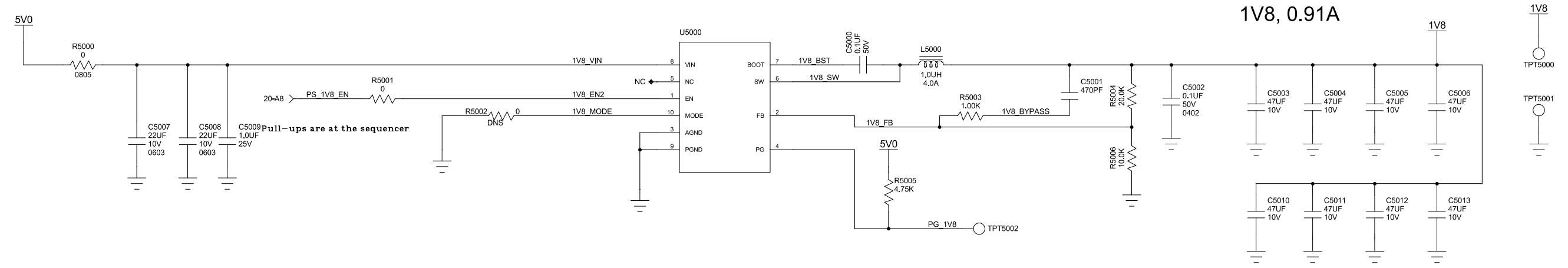
C

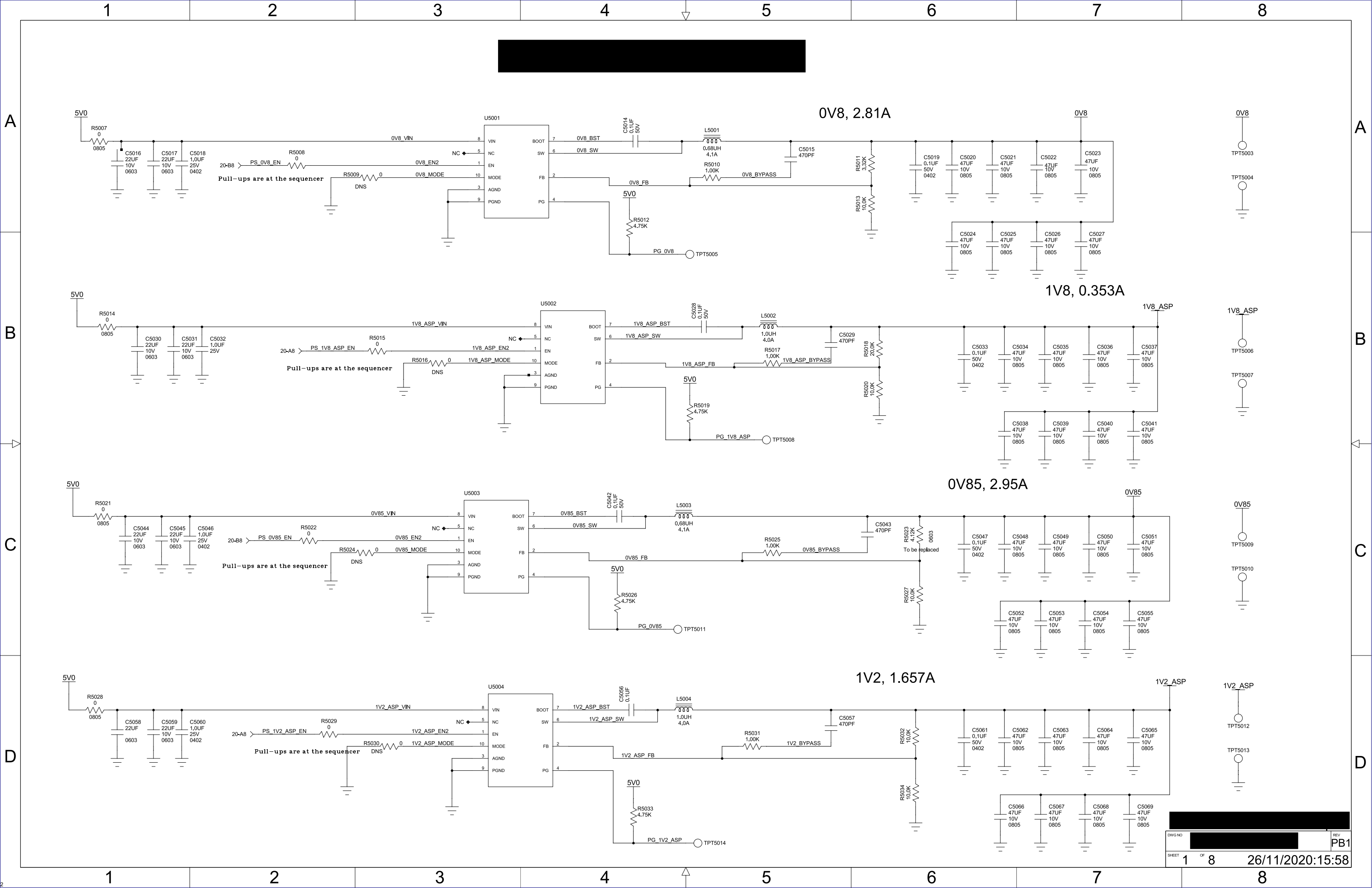
C

D

D

# 1V8



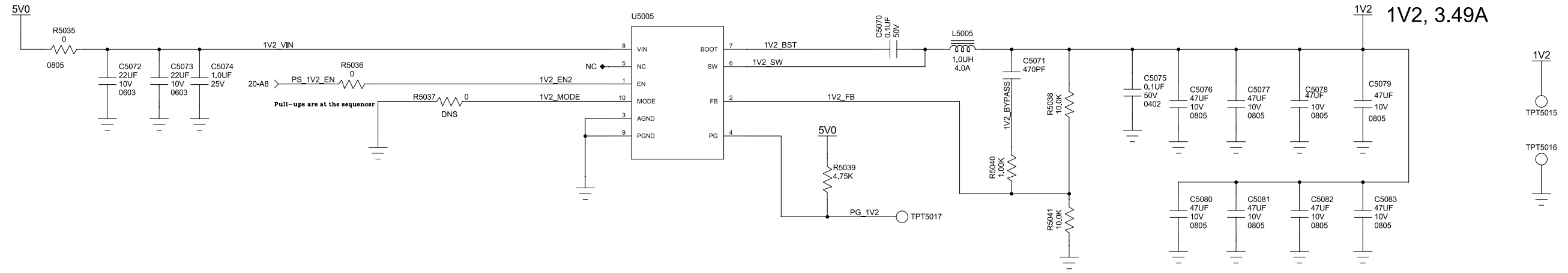


1 2 3 4 5 6 7 8

A

A

# DDR and Auxillary



B

B

C

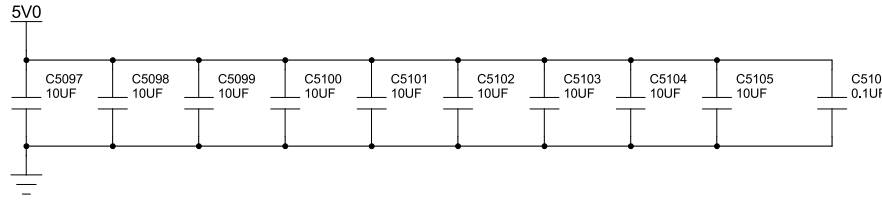
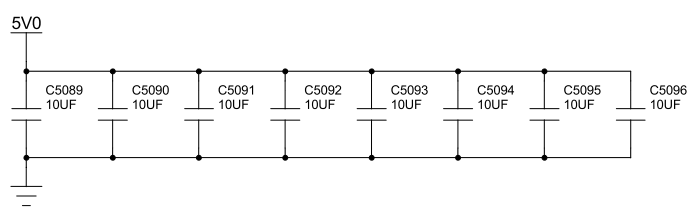
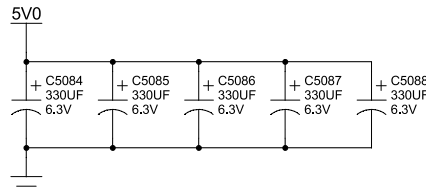
C

D

D

1 2 3 4 5 6 7 8

1 2 3 4 5 6 7 8



A

A

B

B

C

C

D

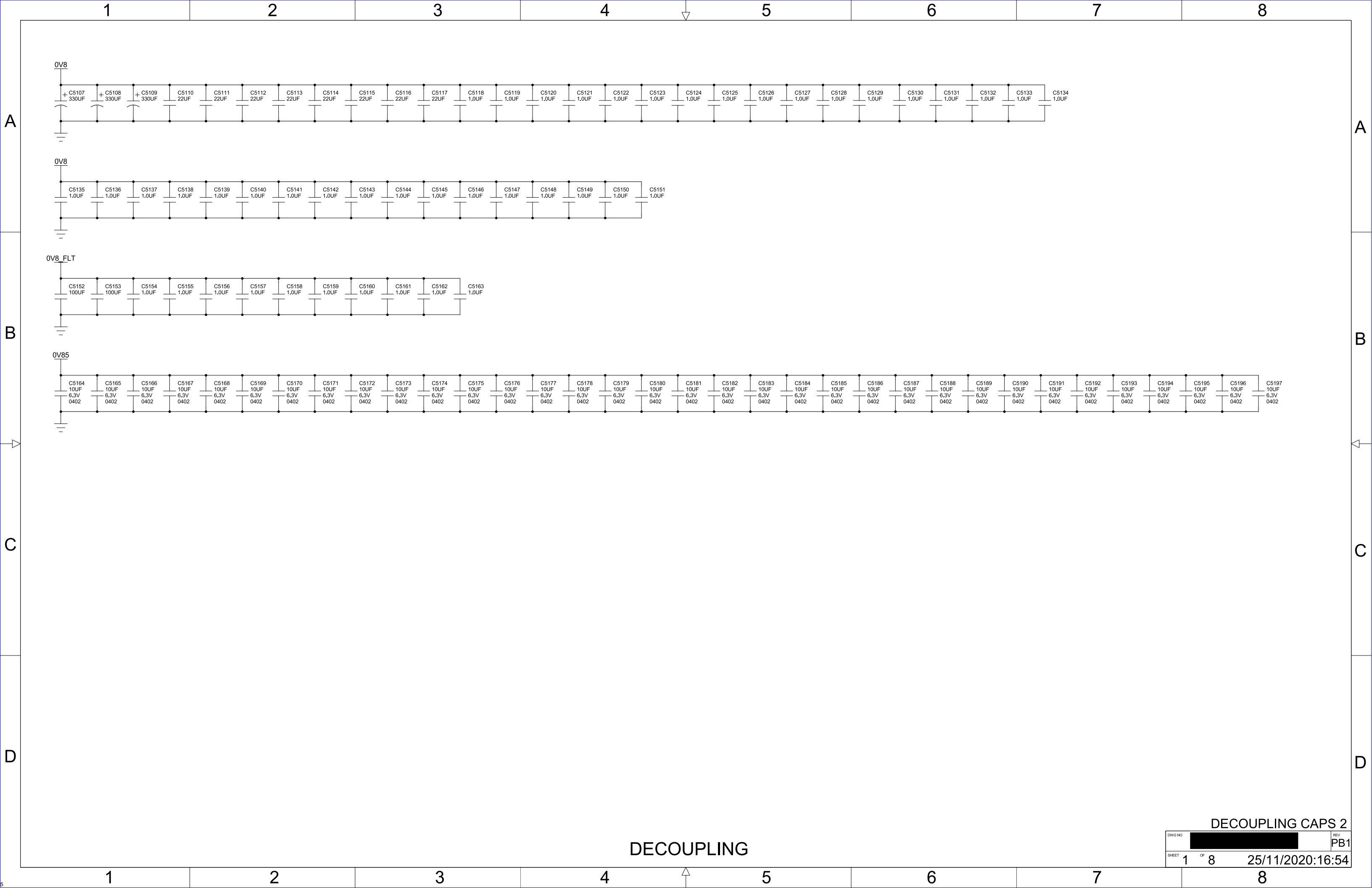
D

# DECOUPLING, GROUND CLIPS

## DECOUPLING CAPS 1

DWG NO		REV	PB1
SHEET	1	OF	8
25/11/2020:16:54			

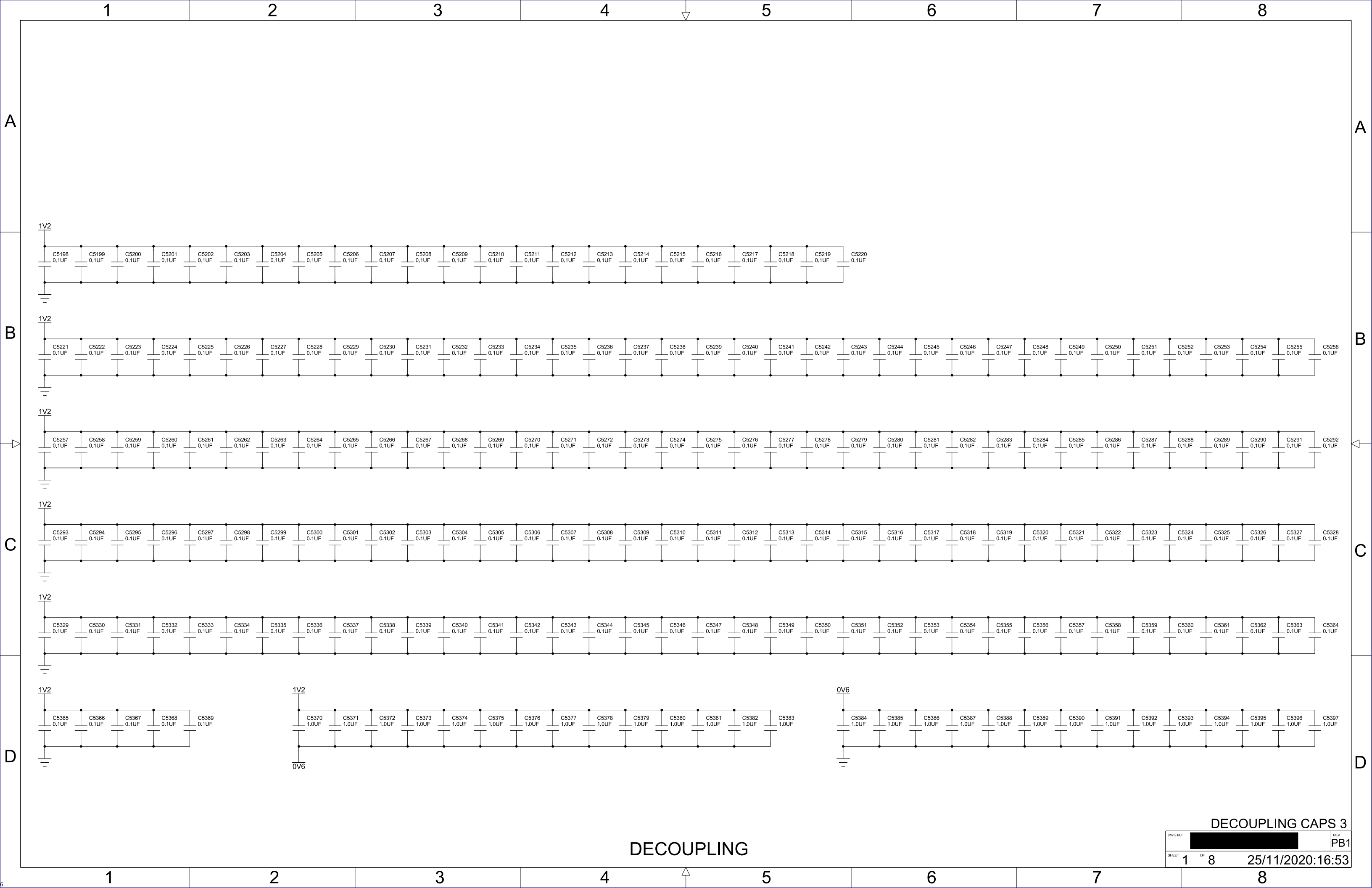
1 2 3 4 5 6 7 8



DECOUPLING

DECOUPLING CAPS 2

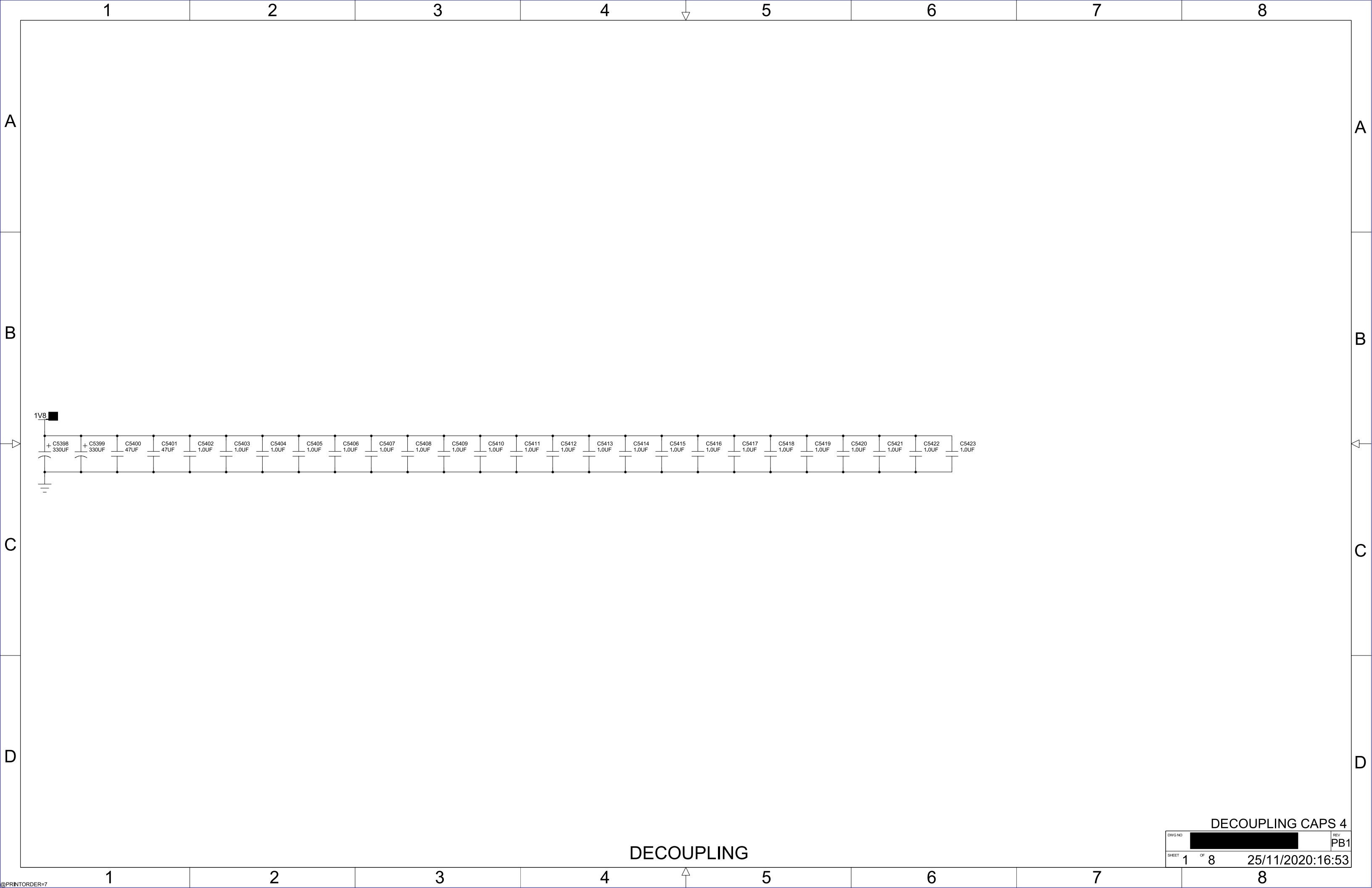
DWG NO	[REDACTED]	REV	PB1
SHEET	1	OF	8
25/11/2020:16:54			



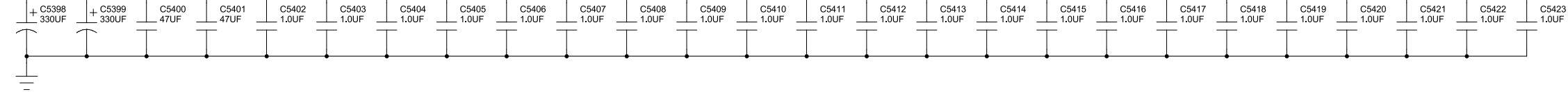
DECOUPLING

DECOUPLING CAPS 3

DWG NO	REV
	PB1
SHEET 1 OF 8	25/11/2020:16:53



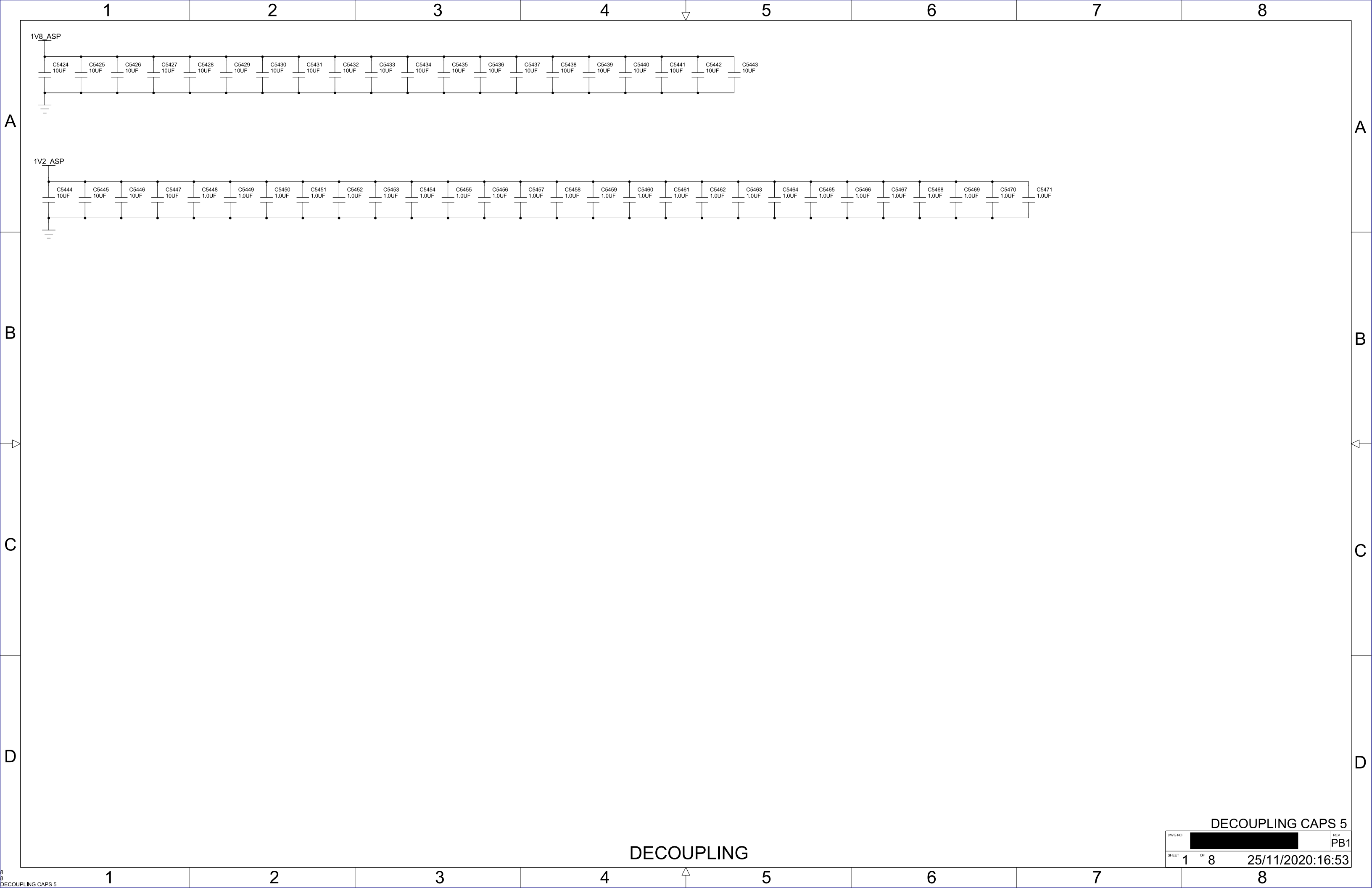
1V8



DECOUPLING

DECOUPLING CAPS 4

DWG NO	[REDACTED]	REV	PB1
SHEET	1	OF	8
25/11/2020:16:53			



DECOUPLING

DECOUPLING CAPS 5

DWG NO	[REDACTED]	REV	PB1
SHEET	1	OF	8
25/11/2020:16:53			