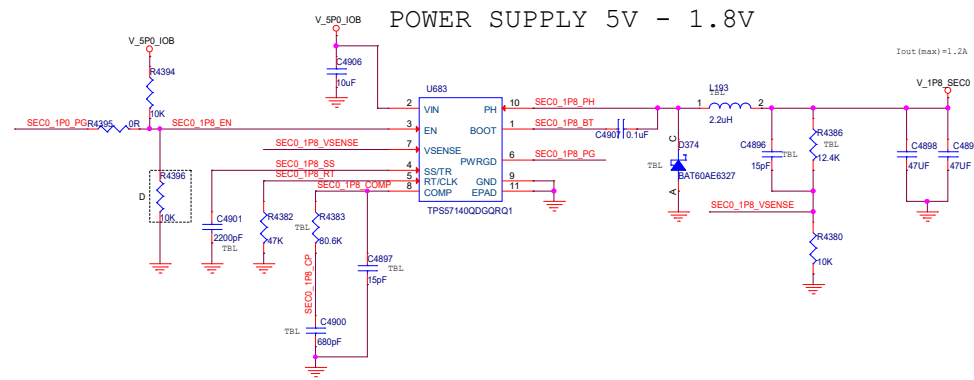
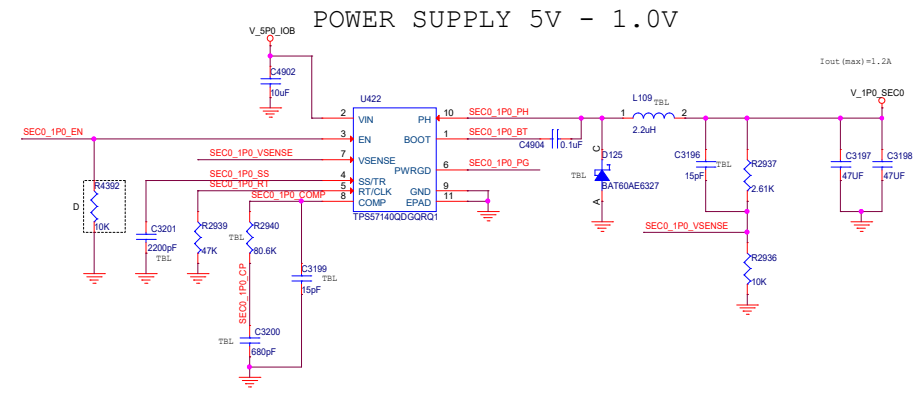
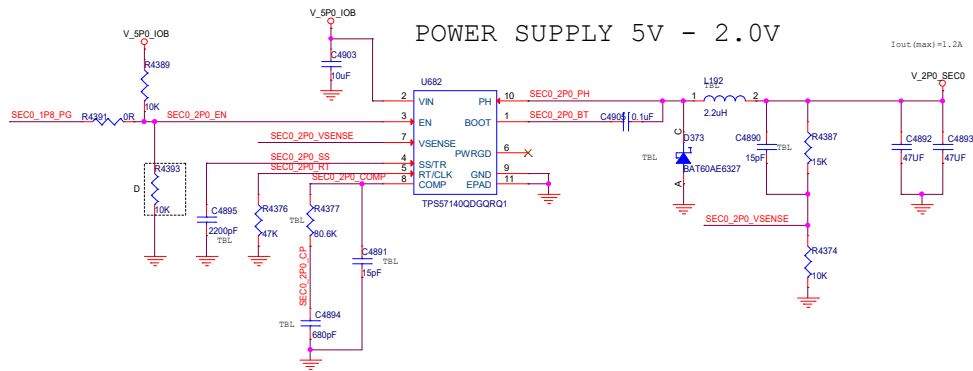


POWER SUPPLY



POWER SEQUENCING 1.0V->1.8V->2.0V

Title	<Title>	Rev	<Rev Code>
Size	Document Number		
C	<Doc>		
Date	Thursday, July 15, 2021	Sheet	1 of 1