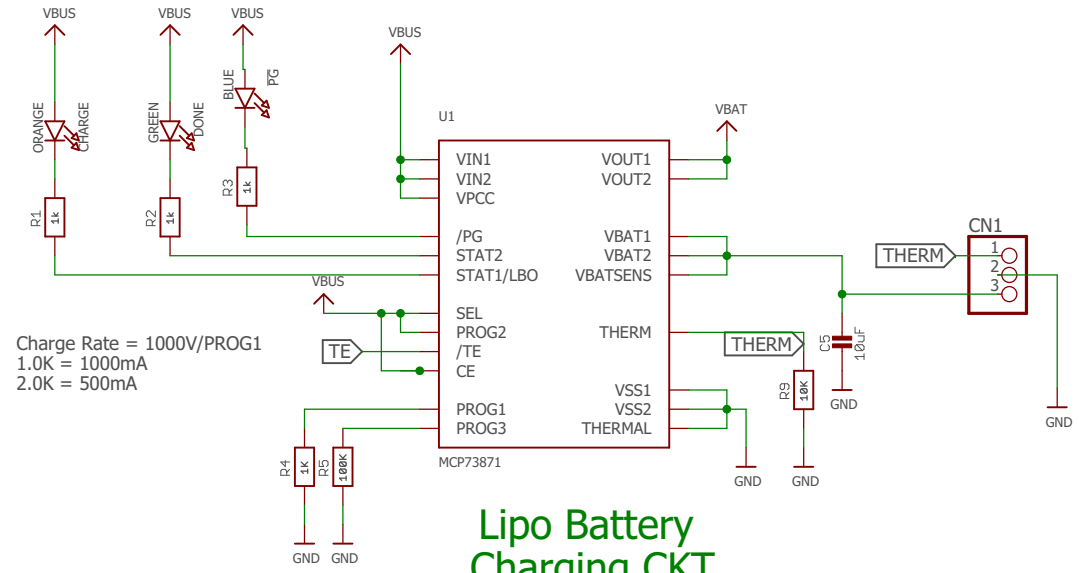
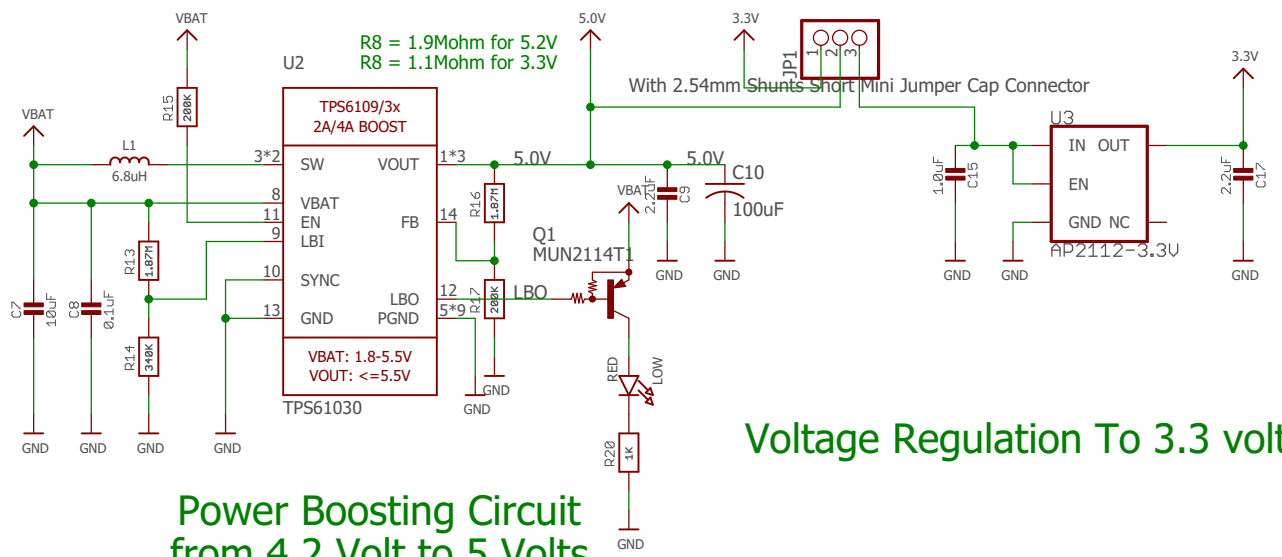


Power Input Through USB connector

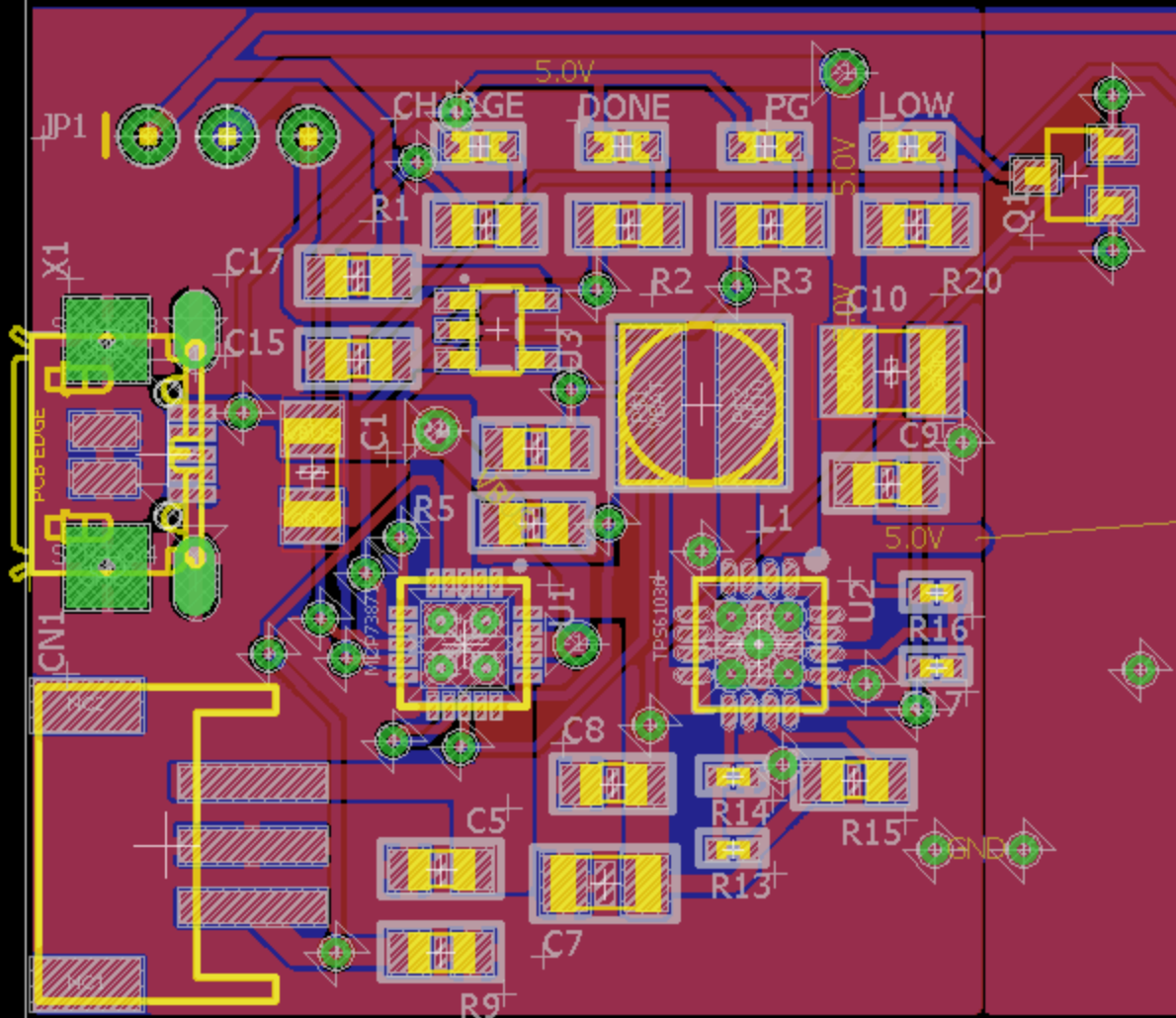


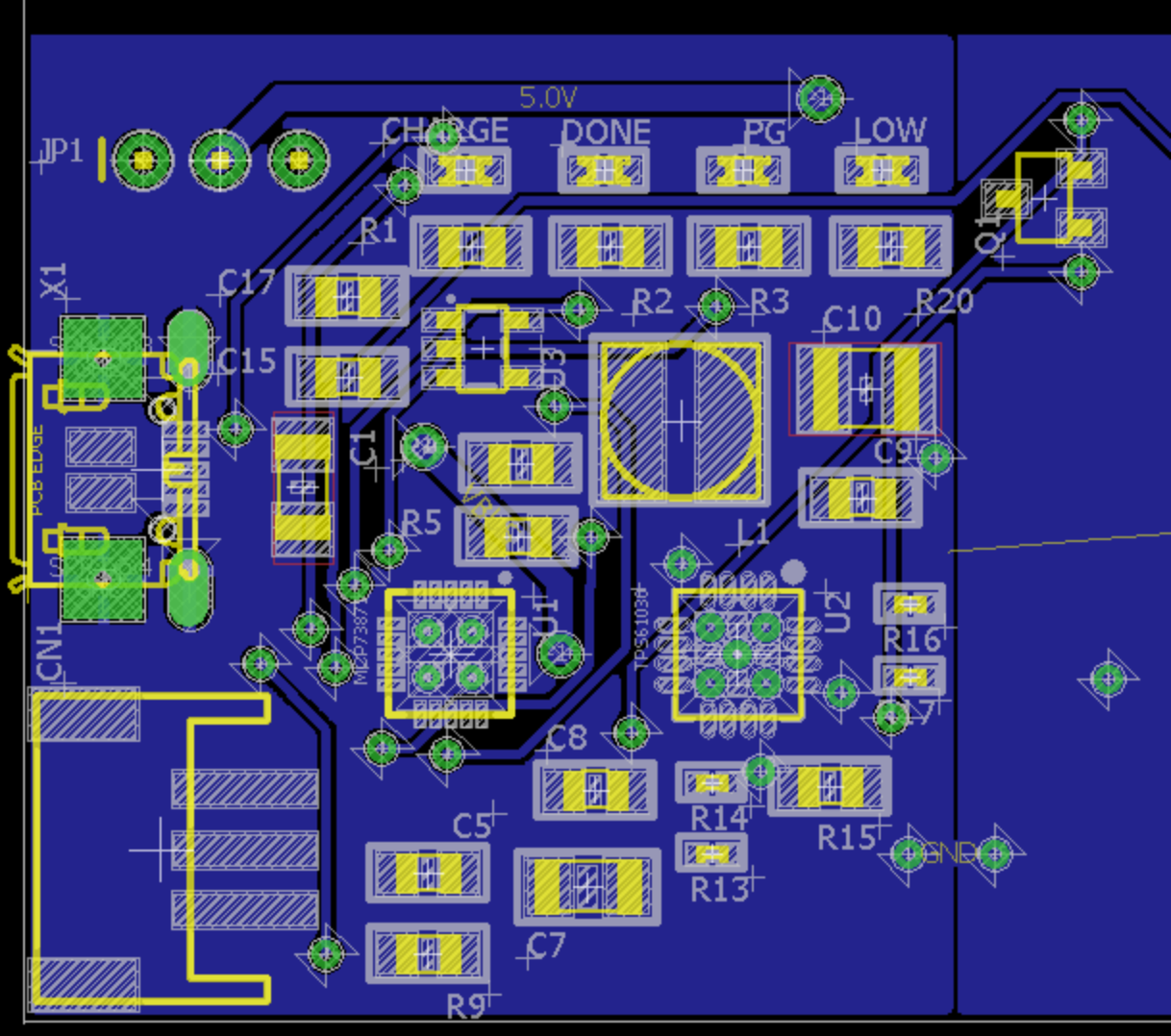
Lipo Battery Charging CKT

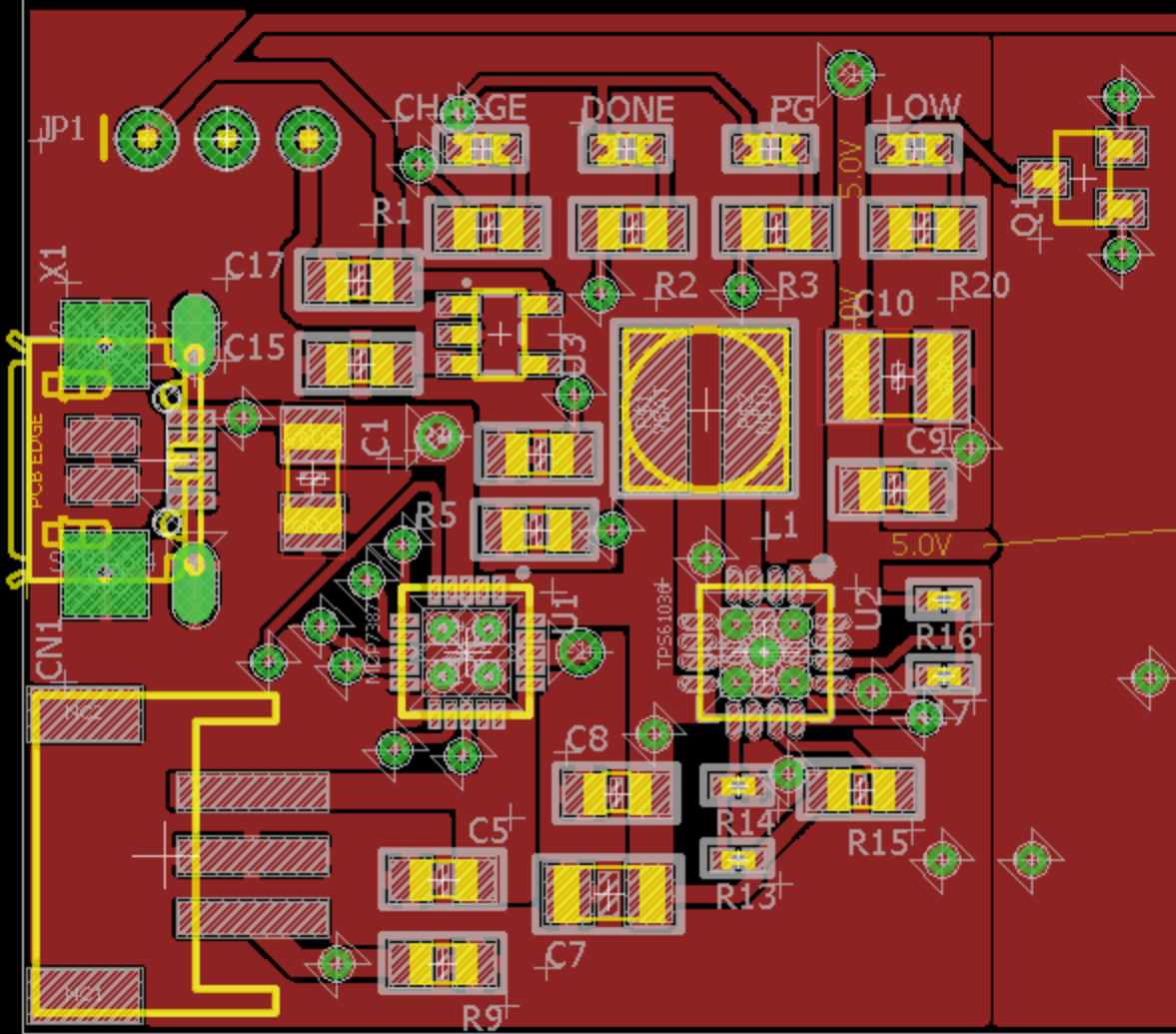


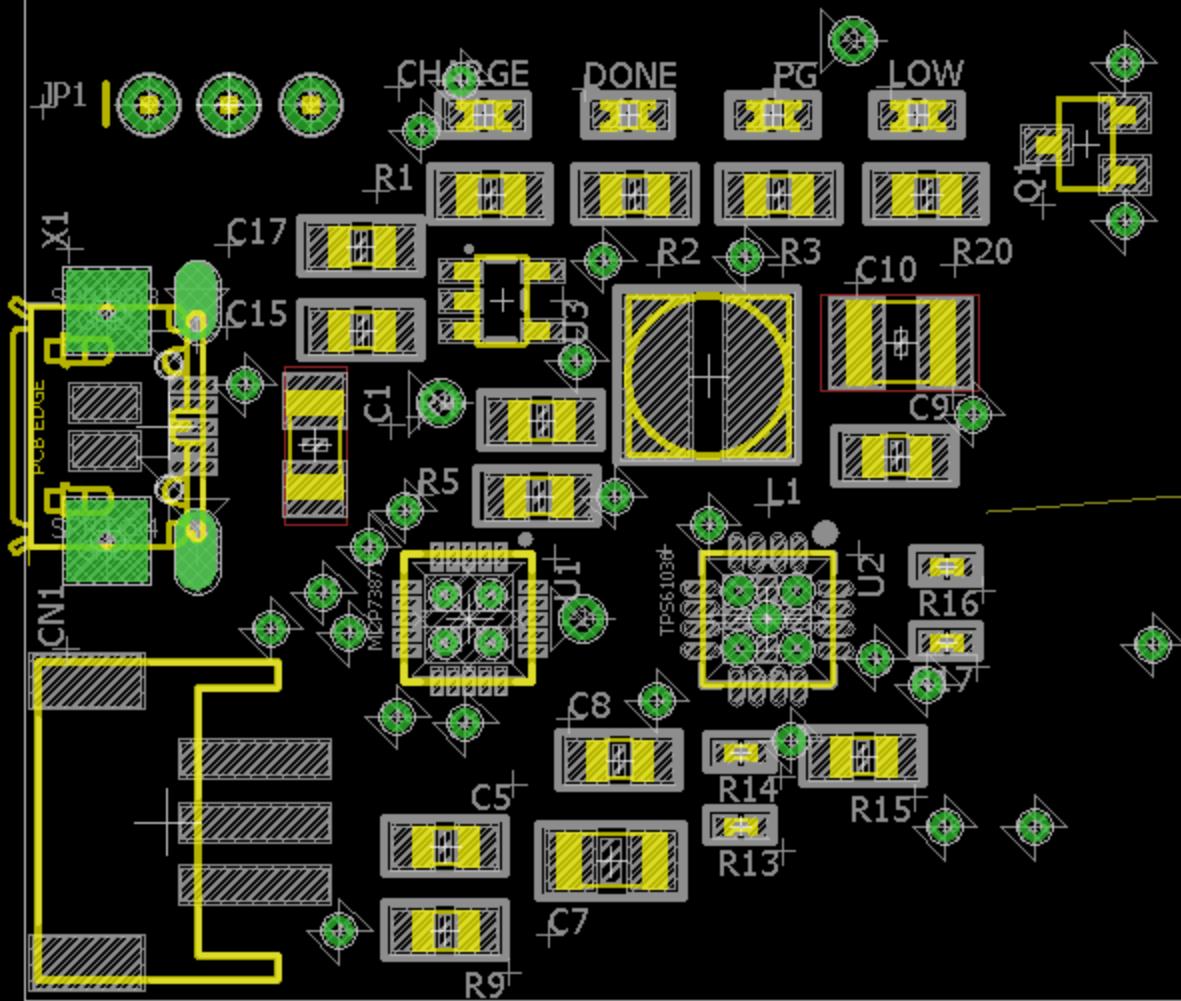
Power Boosting Circuit from 4.2 Volt to 5 Volts

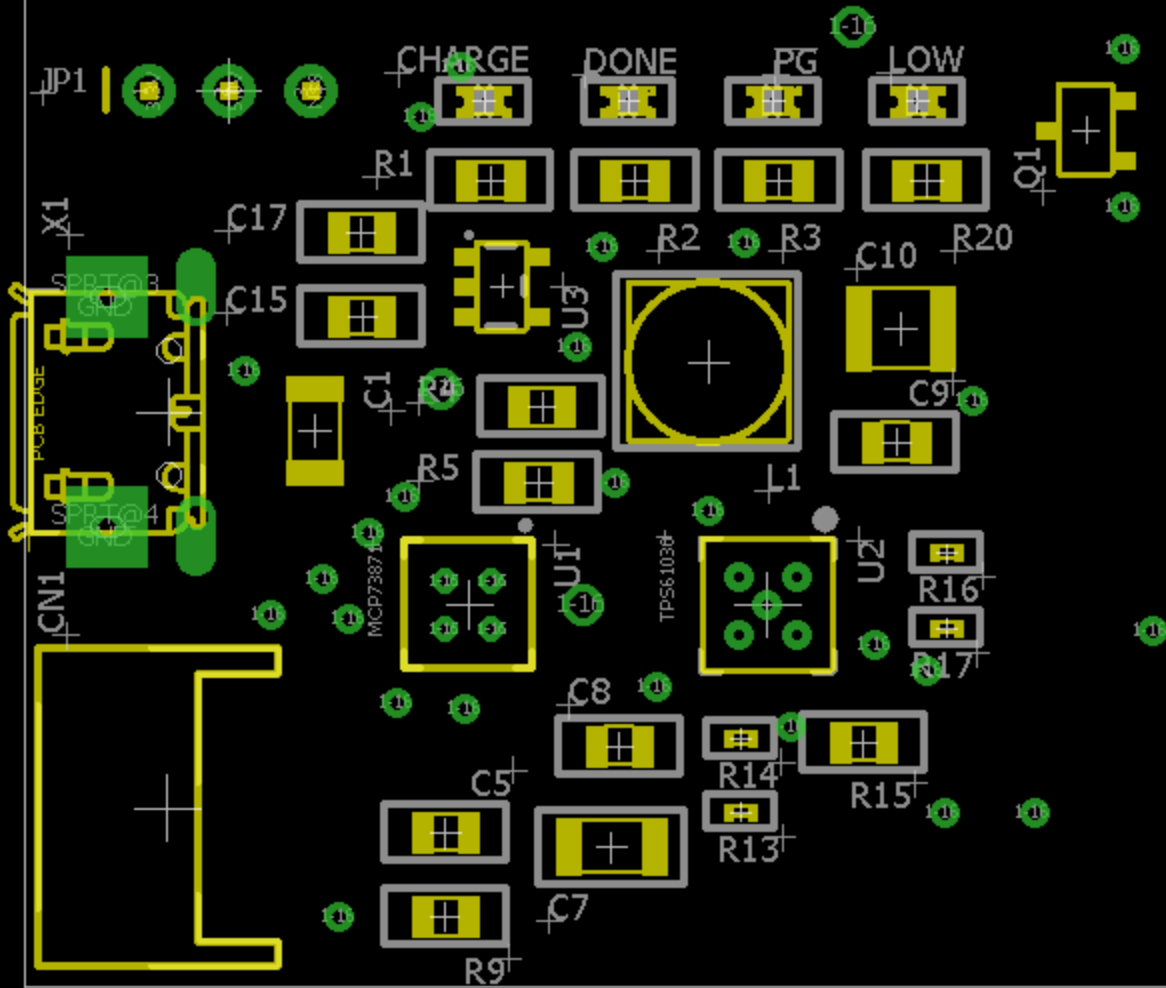
Voltage Regulation To 3.3 volts

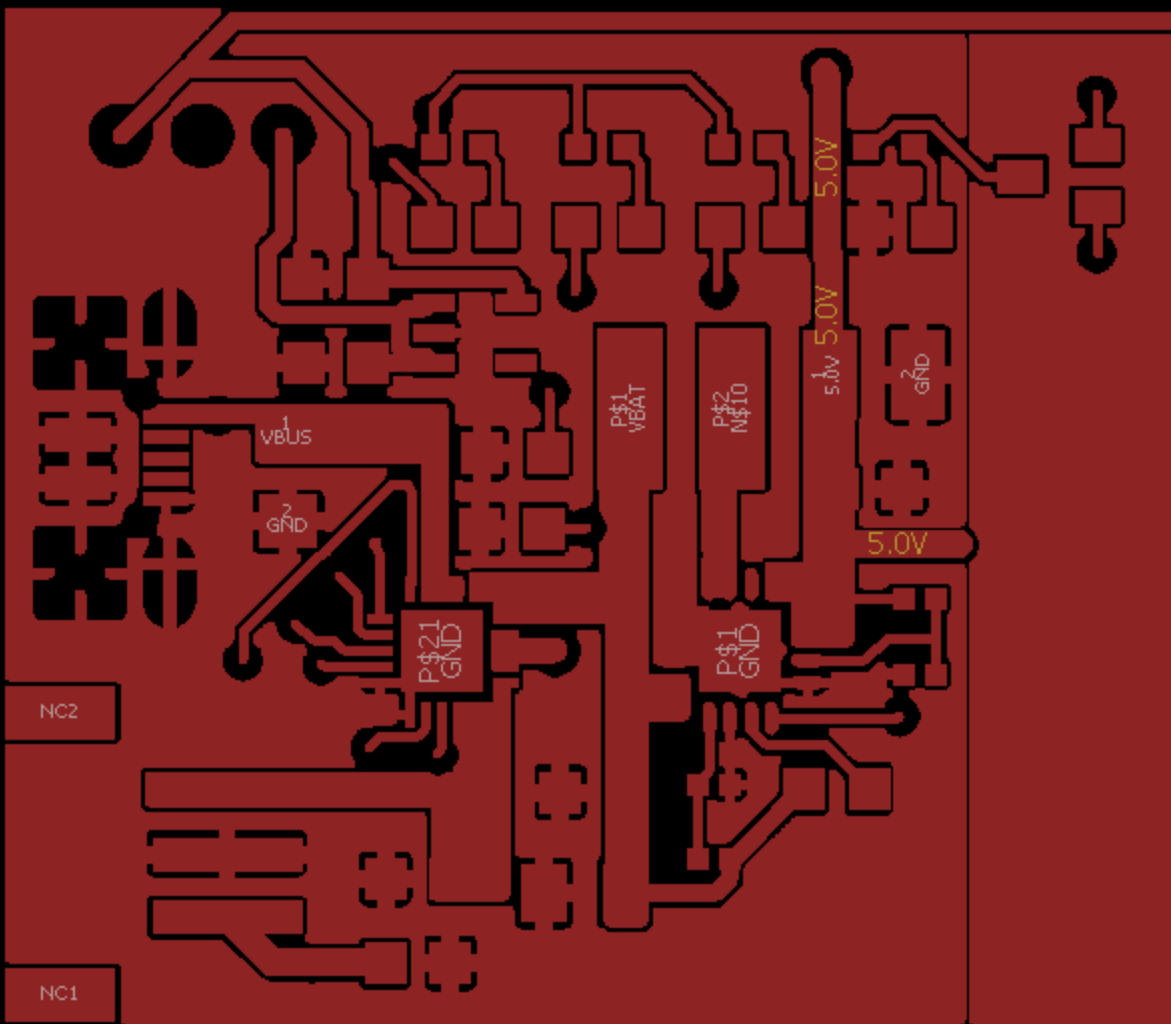


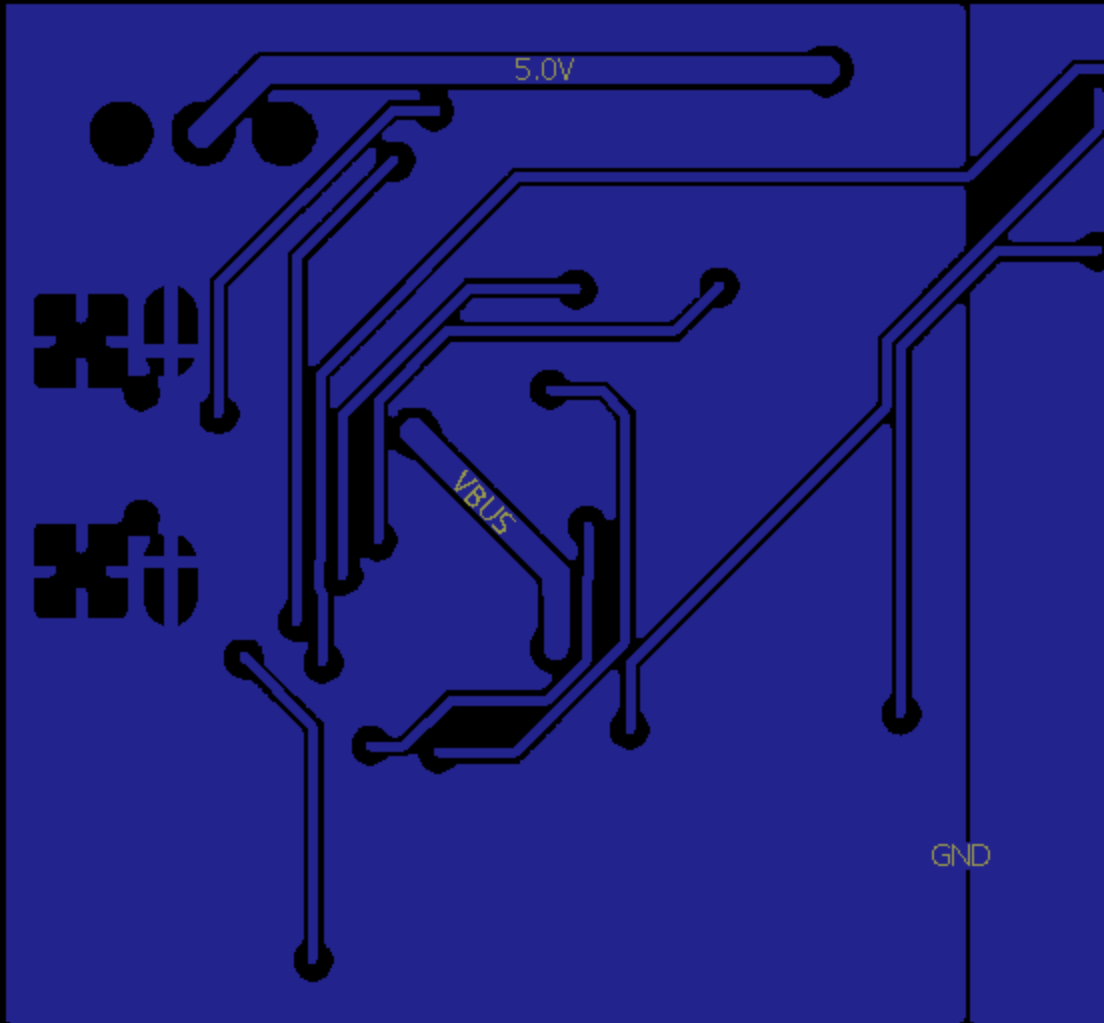












Qty	Value	Device	Package	Parts	Description
1		JST_3PIN	JSTPH3	CN1	
1	0.1uF	CAP_CERAMIC_0805	_0805	C8	Ceramic Capacitors
1	1.0uF	CAP_CERAMIC_0805	_0805	C15	Ceramic Capacitors
2	1.87M	RESISTOR_0402	_0402	R13, R16	Resistors
1	100K	RESISTOR_0805	_0805	R5	Resistors
1	100uF	C-USC1210	C1210	C10	CAPACITOR, American symbol
1	10K	RESISTOR_0805	_0805	R9	Resistors
1	10uF	C-USC1206	C1206	C1	CAPACITOR, American symbol
1	10uF	CAP_CERAMIC_0805	_0805	C5	Ceramic Capacitors
1	10uF	CAP_CERAMIC_1206	_1206	C7	Ceramic Capacitors
2	1K	RESISTOR_0805	_0805	R4, R20	Resistors
3	1k	RESISTOR_0805	_0805	R1, R2, R3	Resistors
2	2.2uF	CAP_CERAMIC_0805	_0805	C9, C17	Ceramic Capacitors
1	200K	RESISTOR_0402	_0402	R17	Resistors
1	200K	RESISTOR_0805	_0805	R15	Resistors
1	340K	RESISTOR_0402	_0402	R14	Resistors
1	6.8uH	INDUCTORTDK_VLC5045	INDUCTOR_5X5MM_TDK_VLC5045	L1	Inductors
1	AP2112-3.3V	V_REG_AP2112K-3.3V	SOT23-5	U3	AP2112 - 600mA CMOS LDO Regulator w/ Enable
1	BLUE	LED0603	CHIPLED_0603	!PG	LED
1	Charging Port	USBMICRO_20329	4UCONN_20329	X1	USB Connectors
1	GREEN	LED0603	CHIPLED_0603	DONE	LED
1	MCP73871	MCP73871	QFN20_4MM	U1	MCP73871 Lithium Polymer Battery Charger
1	MUN2114T1	MUN2114T1	SC59-BEC	Q1	PNP Bias Resistor Transistor
1	ORANGE	LED0603	CHIPLED_0603	CHARGE	LED
1	RED	LED0603	CHIPLED_0603	LOW	LED

1	TPS61030	VREG_TPS6103X	PVQFN-16	U2	TPS6103x 4A Boost - 1.8-5.5V Input, Adjustable Output to 5.5V
1	With 2.54mm Shunts Short Mini Jumper Cap Connector	HEADER- 1X3ROUND	1X03_ROUND	JP1	PIN HEADER

