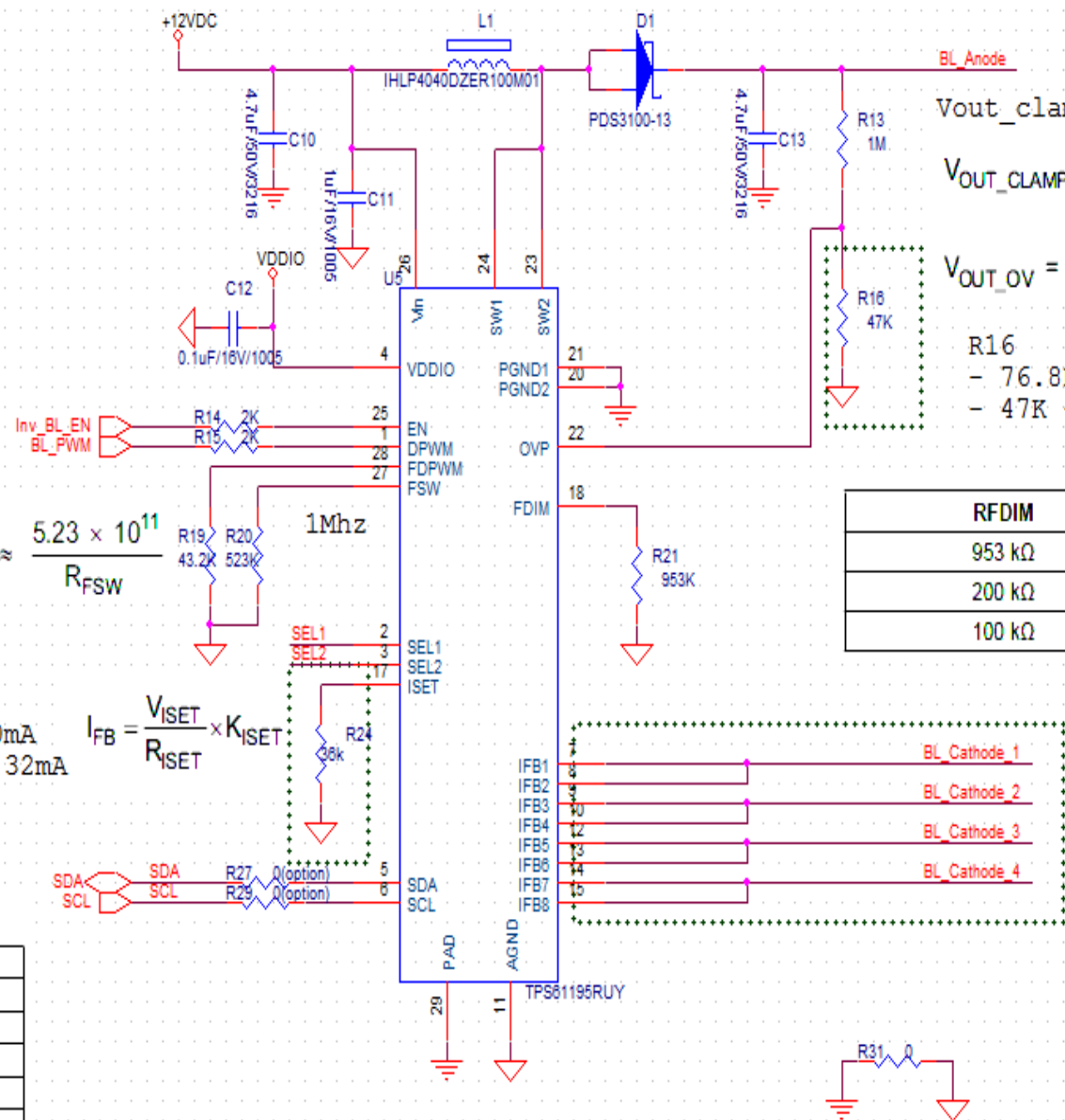


Table 1. Brightness Control and Dimming Method List

SEL1	SEL2	MODE	INTERFACE
VDDIO	GND	No delay PWM	SMBus
OPEN	GND	No delay PWM	PWM
GND	VDDIO	Analog	SMBus
GND	OPEN	Analog	PWM
GND	GND	Direct PWM	PWM



$$V_{out_clamp} = 27VDC$$

$$V_{OUT_CLAMP} = V_{CLAMP_TH} \times \left(1 + \frac{R5}{R6}\right)$$

$$V_{OUT_OV} = V_{OV_TH} \times \left(1 + \frac{R5}{R6}\right)$$

- R16
- 76.8K --> Out:27VDC, OV: 28.46VDC
 - 47K --> OUT:43.4VDC, OV:45.22VDC

$$F_{SW} \approx \frac{5.23 \times 10^{11}}{R_{FSW}} \times 1MHz$$

$$R_{Iset}$$

- 65K --> 20mA
- 40.2K --> 32mA

$$I_{FB} = \frac{V_{ISET}}{R_{ISET}} \times K_{ISET}$$

RFDIM	FDIM
953 kΩ	210 Hz
200 kΩ	1 kHz
100 kΩ	2 kHz

