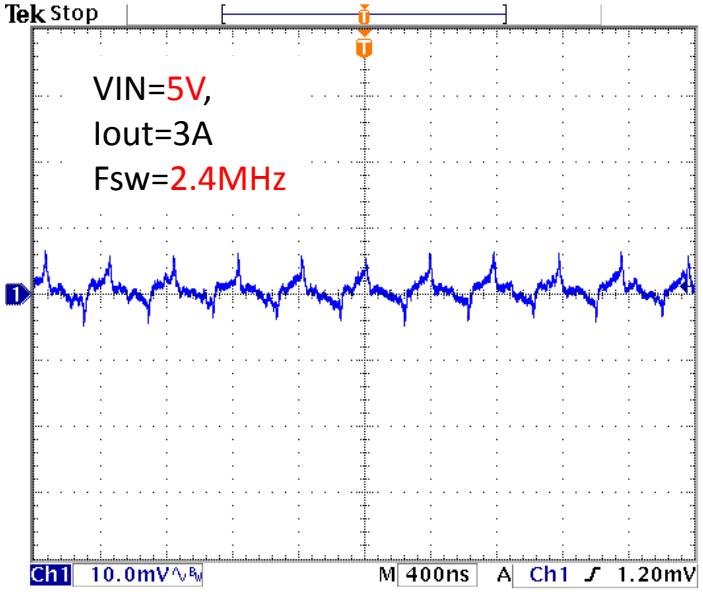
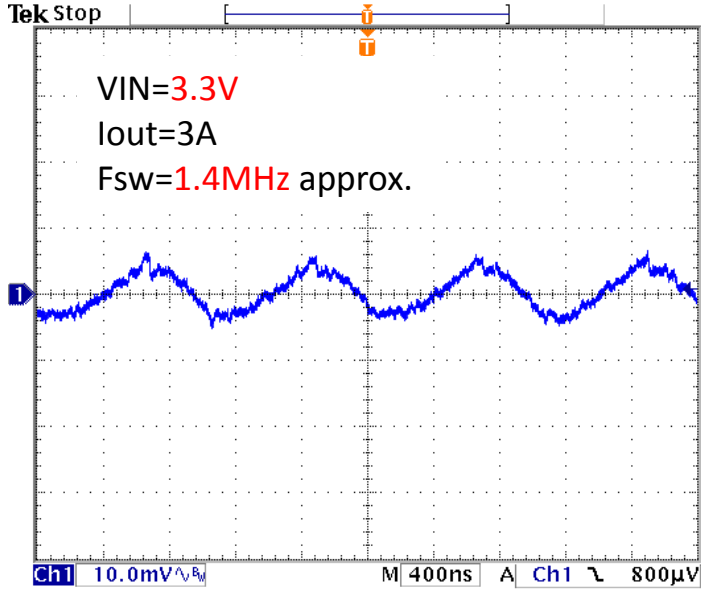


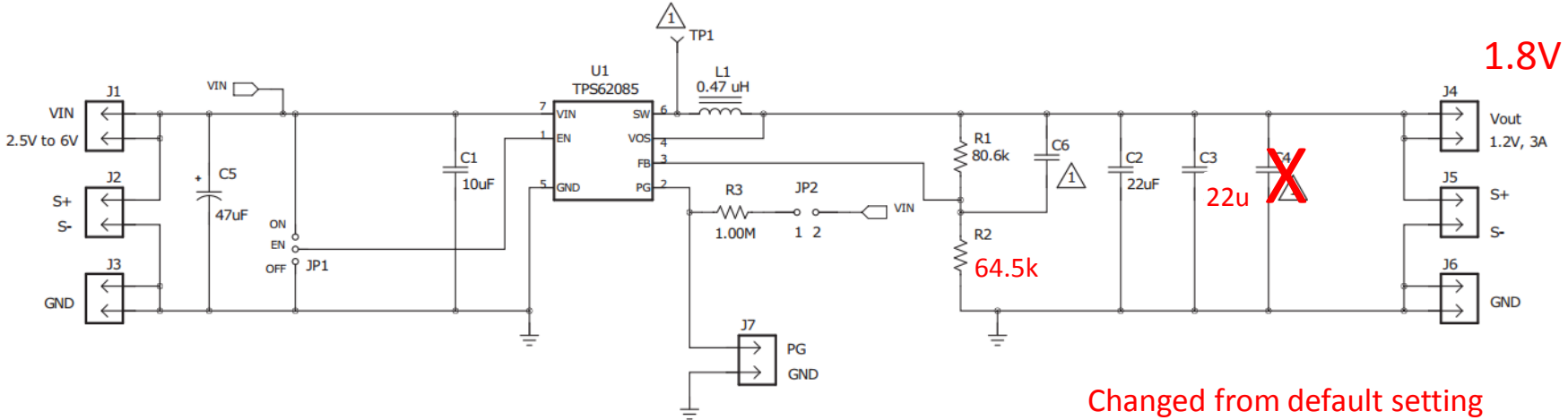
TPS62085EVM / Switching Frequency



4 Nov 2015
16:04:07



9 Oct 2015
10:52:36



- Changed from default setting
- Change R2 value to set 1.8V
- Add 22u on Cout

Figure 8. TPS62085EVM-169 Schematic