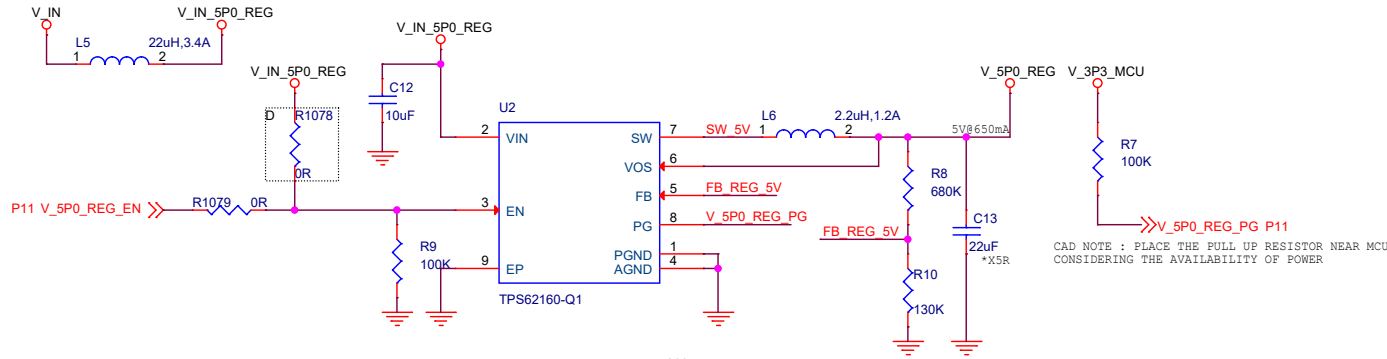


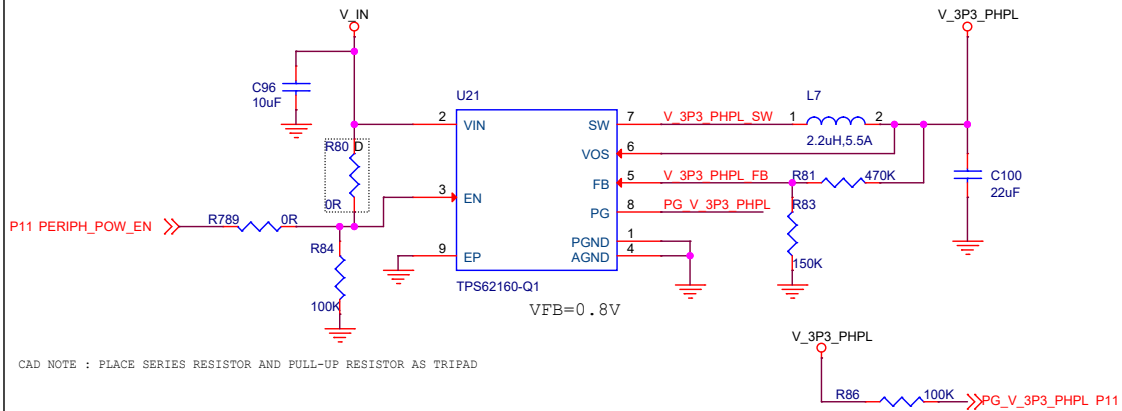
CAN TXR 5V REGULATOR



DESIGN REQUIREMENT:
 PART NUMBER : TPS62160QDSGRQ1
 INPUT VOLTAGE : 9V TO 16V
 OUTPUT VOLTAGE : 5V
 OUTPUT CURRENT : 650mA

CAD NOTE : PLACE THE PULL UP RESISTOR NEAR MCU
 *X5R

12V TO 3.3V BUCK



DESIGN REQUIREMENT:
 PART NUMBER : TPS62160QDSGRQ1
 INPUT VOLTAGE : 9V TO 16V
 OUTPUT VOLTAGE : 3.3V
 OUTPUT CURRENT : 770mA

Title		
REGULATOR		
Size	Document Number	Rev
B	<Doc>	0.1
Date:	Thursday, December 24, 2020	Sheet 2 of 19