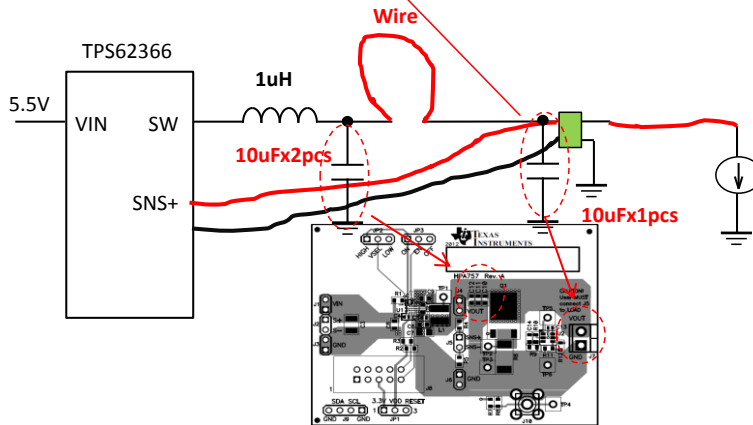
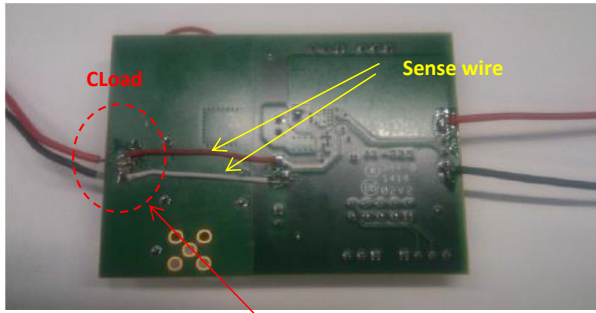


1. CL Location



2. Purpose of added wire

