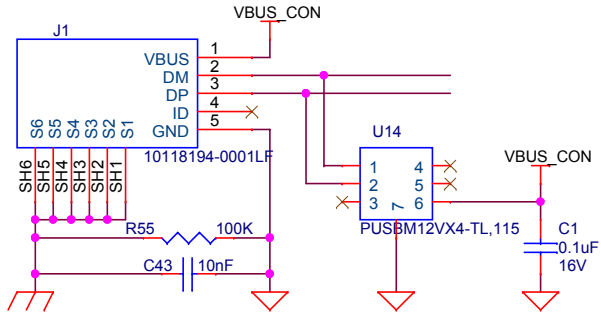
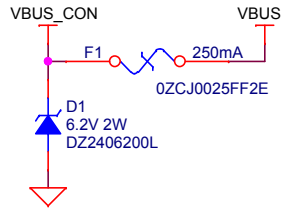


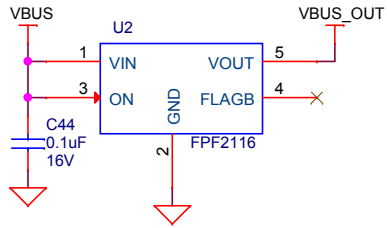
### USB Micro Connector



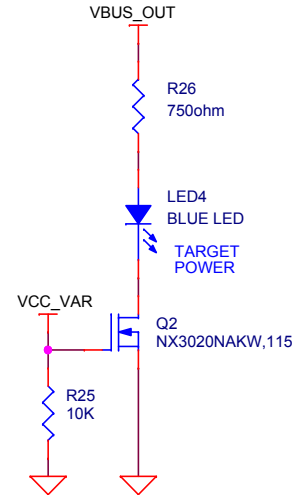
### Protection for VBUS



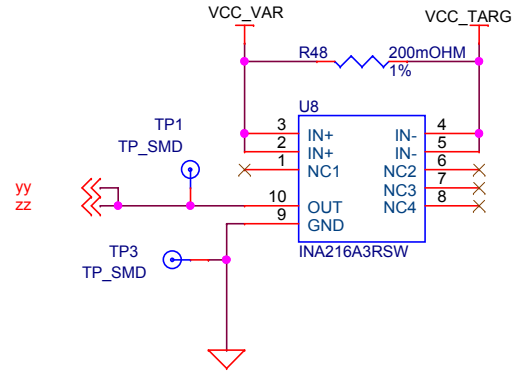
### Reverse Protection for VBUS



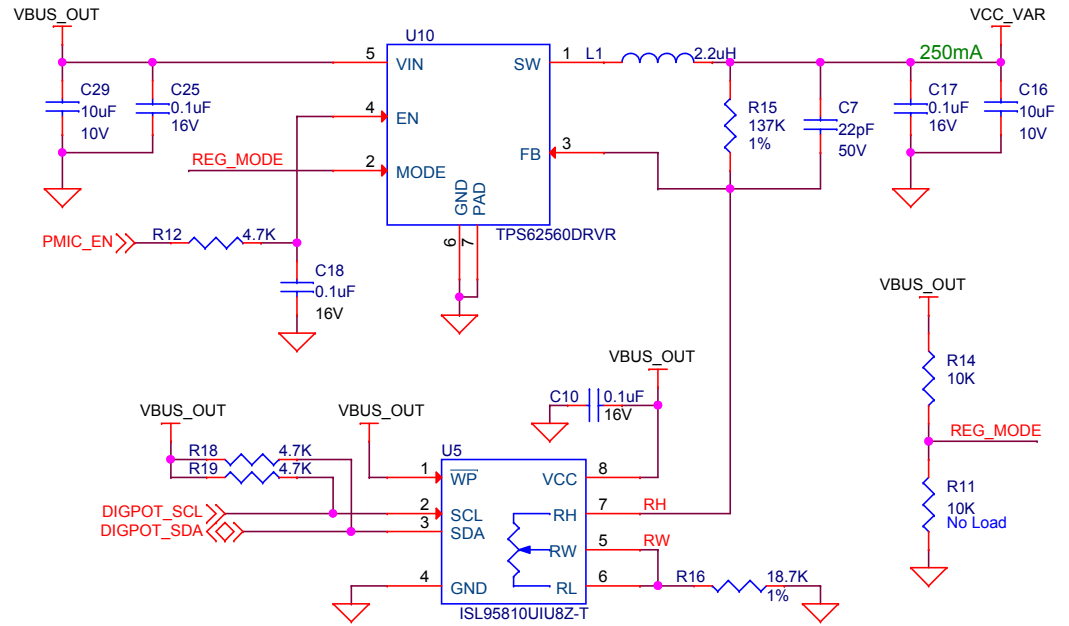
### Target Power LED



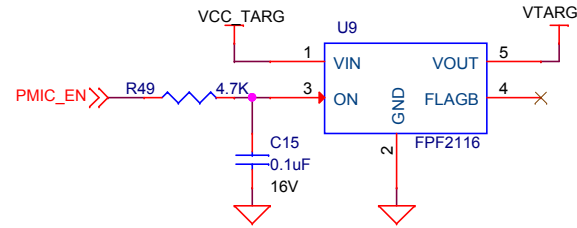
### Current Monitoring



### Variable (1.8V - 5V) Regulator



### VTARG Enable & Over-Current Protection



### Protection Circuit

