

5

4

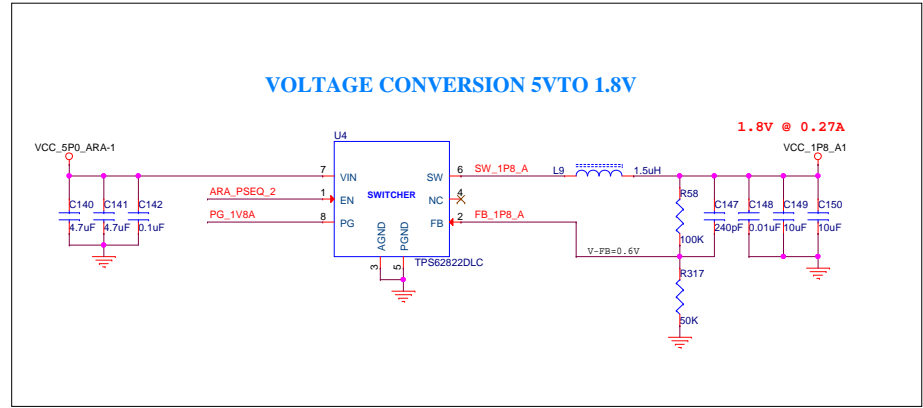
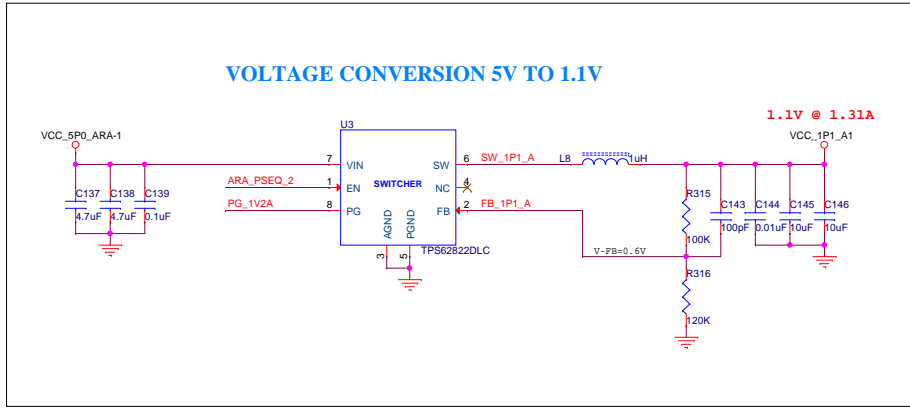
3

2

1

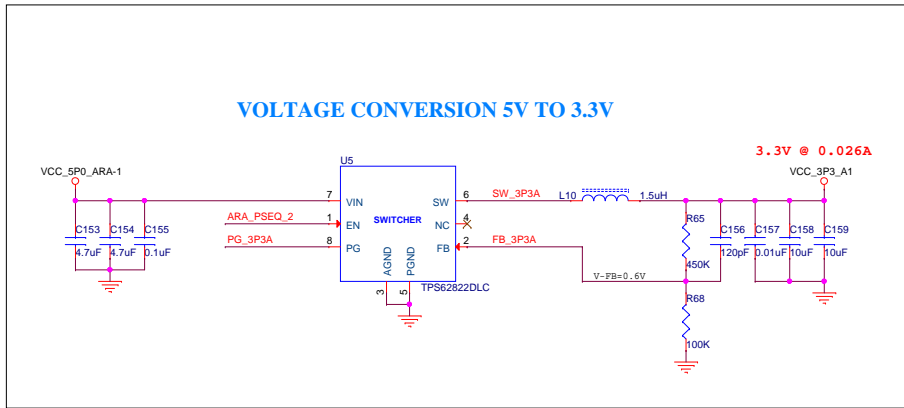
D

D



C

C



B

B

A

A

5

4

3

2

1

Title		
<Title>		
Size	Document Number	Rev
A3	<Doc>	<Rev>
Date:	Wednesday, April 26, 2023	Sheet 1 of 1