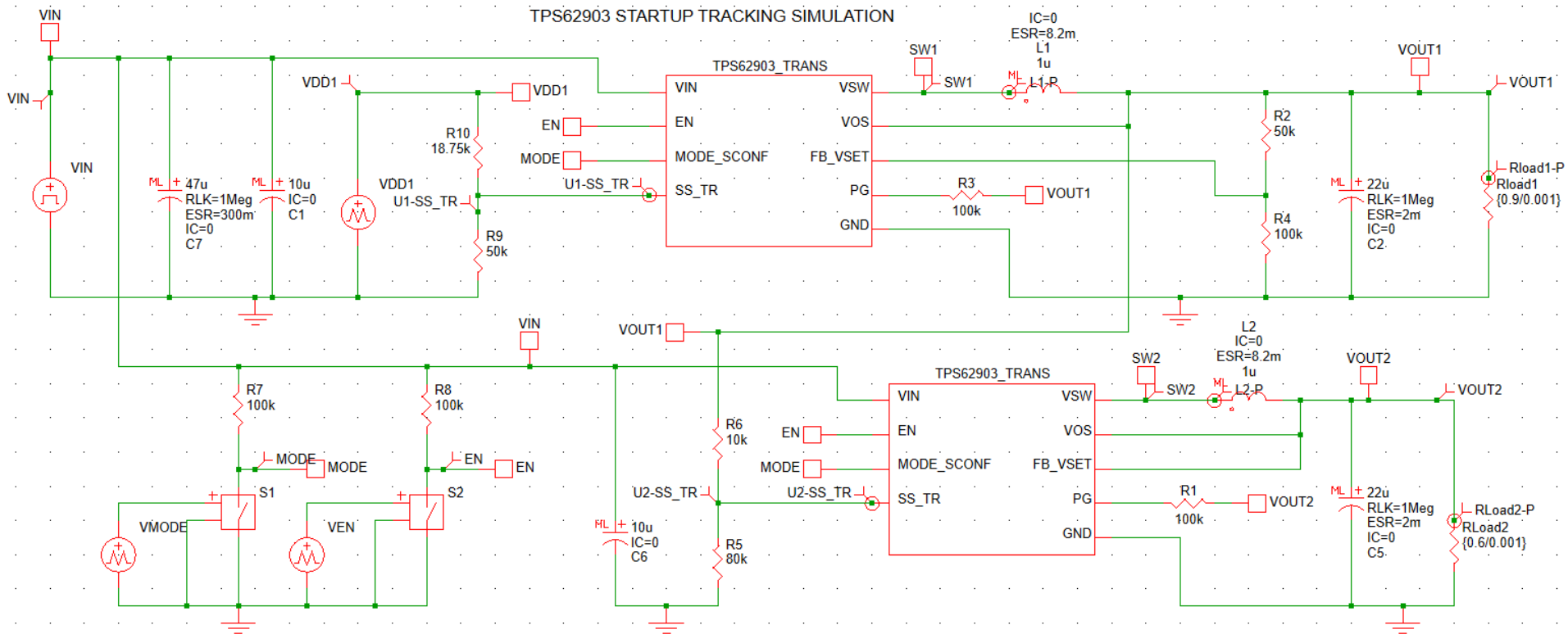
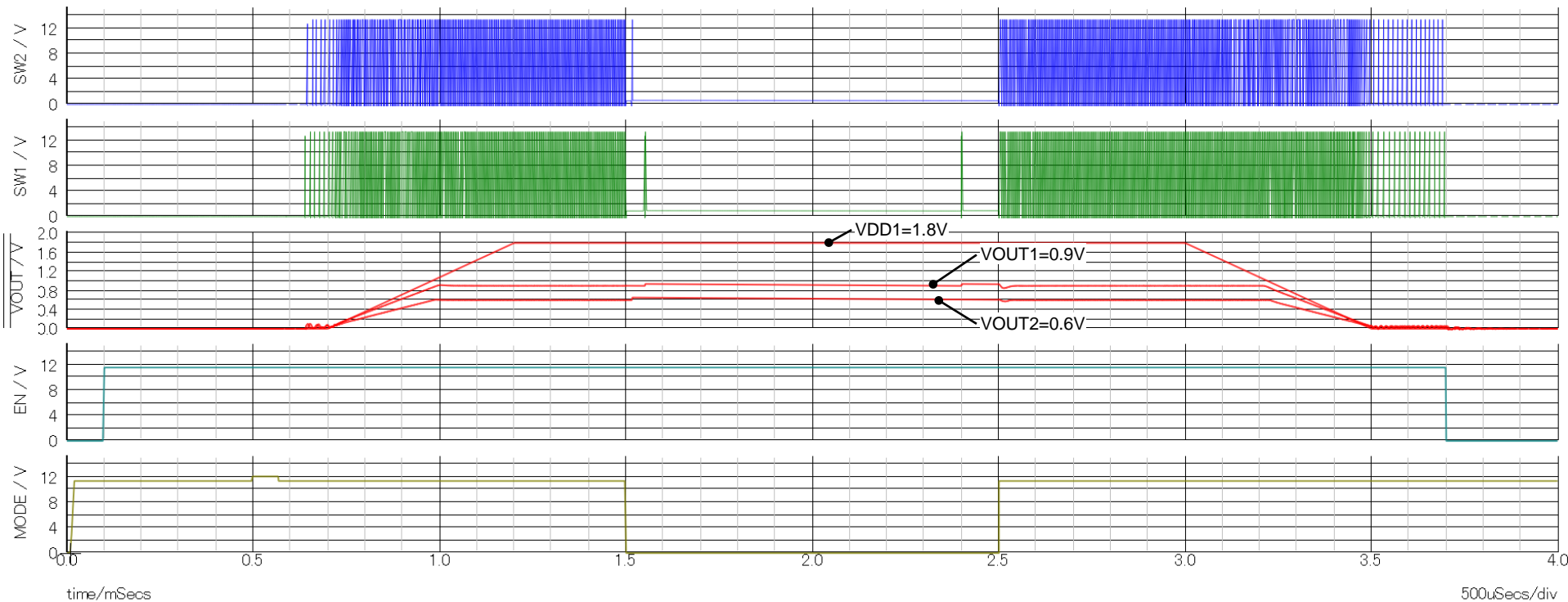


# Test circuit



# Simulation result (All)



# Start up / Shutdown

