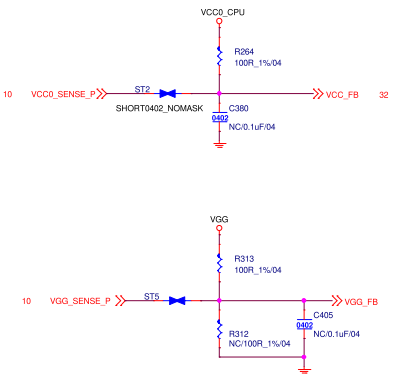
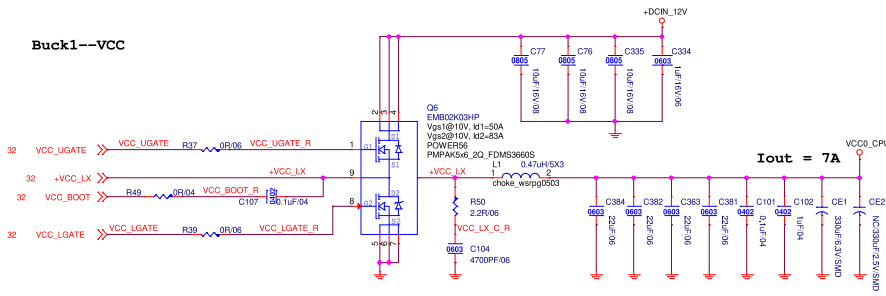
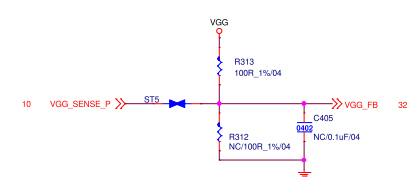
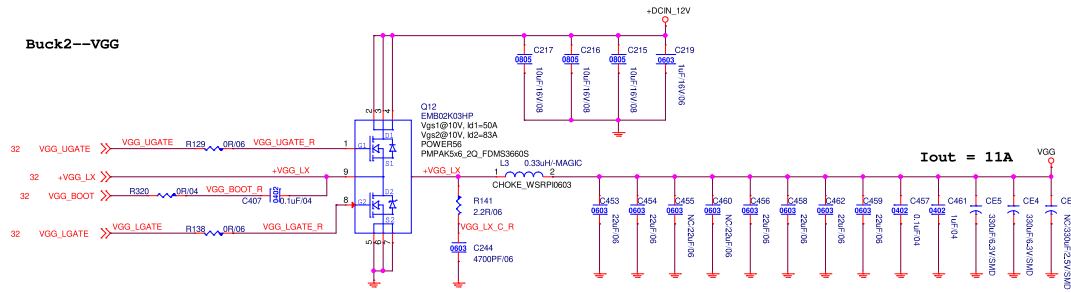


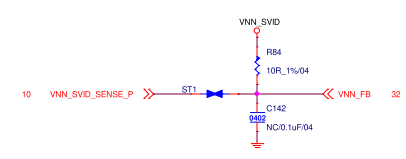
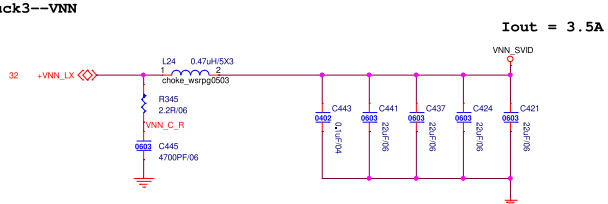
Buck1--VCC



Buck2--VGG

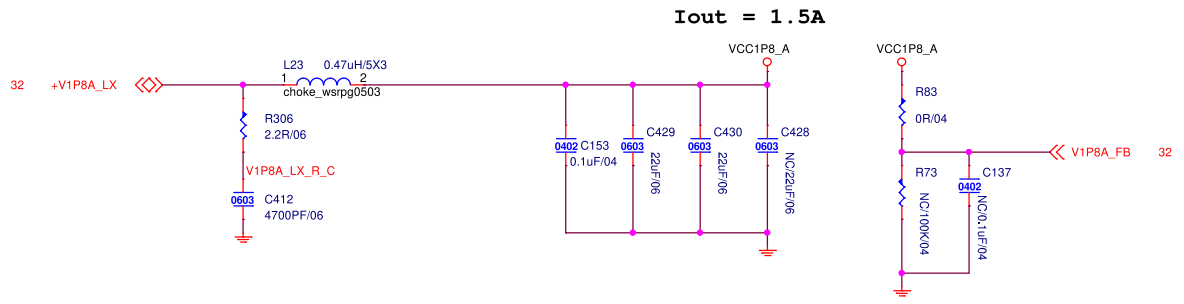
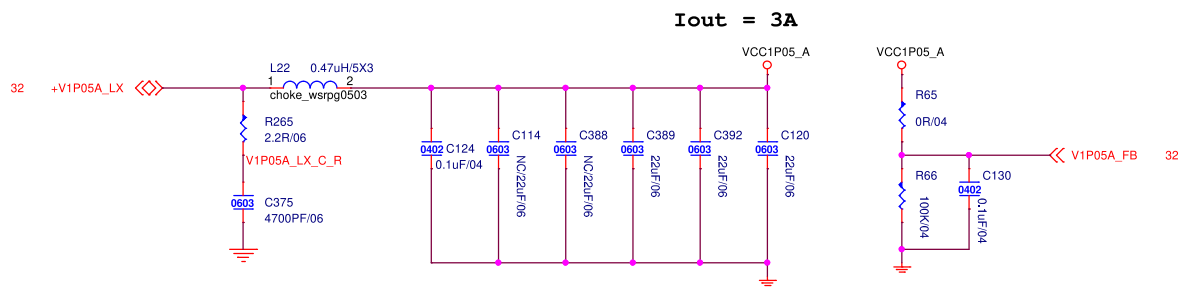


Buck3--VNN



| | | | |
|---------|----------------|------|-----|
| PCB P/N | 30D3G2000-110B | Ver. | 0.2 |
|---------|----------------|------|-----|

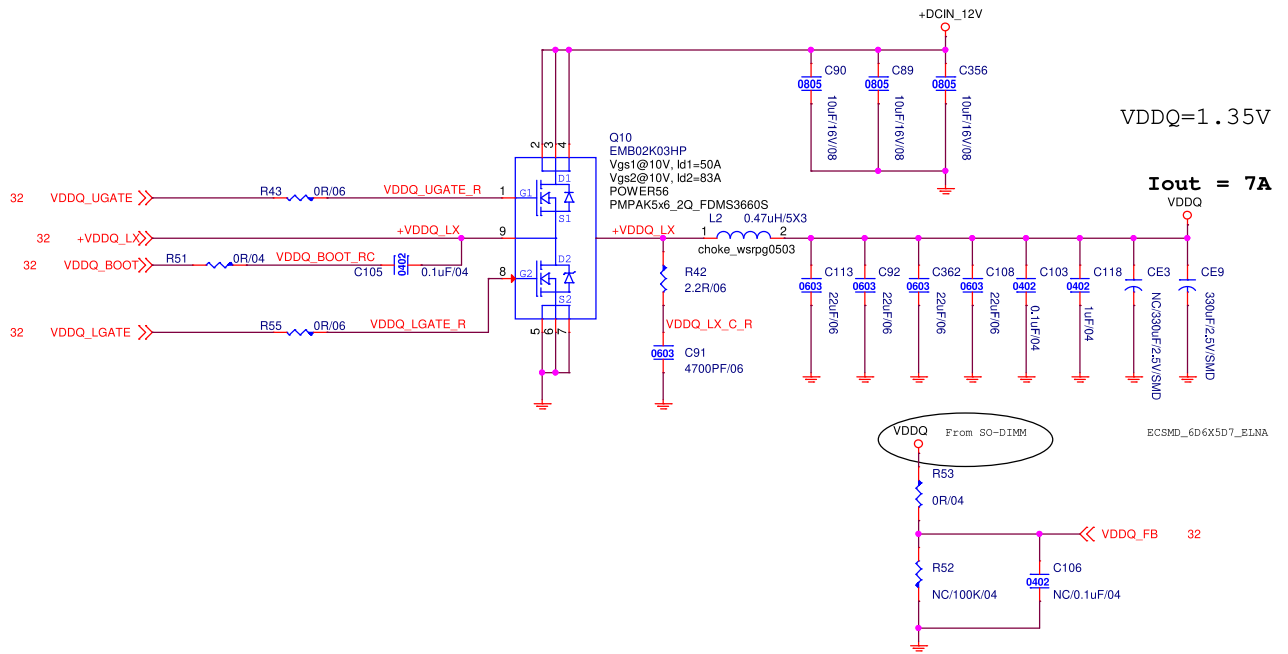
| | | | | | | | |
|----|-------------|--------|------|-----------|----------------|------------|----------------|
| Δ | | | | MATERIAL: | SHAWIN: Ting | 2019/10/23 | FILE: |
| Δ | | | | FINSH: | CHK: Xing | 2019/10/23 | VNN_VCC0_VGG |
| NO | DESCRIPTION | DESIGN | APPD | P/N: | R0D3G2000-031B | APPD: | TC |
| | | | | | | 2019/10/23 | DWG NO: |
| | | | | | | | R0D3G2000-031B |
| | | | | | | | REV |
| | | | | | | | 1 |



| | | | | |
|---------------------|----------------------------|------------|------------------------------|-------------|
| PCB P/N | VCC1P8_A 30D3G2000-110B | | Ver. | 0.2 |
| MATERIAL: | DRAWN: Tina | 2019/10/23 | TITLE: 1.05V_A,1.8V_A | |
| FINSH: | CHK: Xing | 2019/10/23 | DWG NO. RDD3G2000-031B | |
| P/N: RDD3G2000-031B | APP'D: TC | 2019/10/23 | FILE NAME: RDD3G2000-031B | |
| NO | DESCRIPTION | DESIGN | APP'D | REV. 0.1 |

| | | | |
|----|-------------|--------|-------|
| Δ | | | |
| Δ | | | |
| NO | DESCRIPTION | DESIGN | APP'D |

Buck6--VDDQ



PCB P/N **30D3G2000-110B** Ver. 0.2

| | | | |
|---------------------|-------------|------------|------------------------|
| MATERIAL: | DRAWN: Tina | 2019/10/23 | TITLE: VDDQ |
| FINISH: | CHK: Xing | 2019/10/23 | |
| P/N: RDD3G2000-031B | APP'D: TC | 2019/10/23 | DWG NO. RDD3G2000-031B |
| | | | REV. 0.1 |

| NO | DESCRIPTION | DESIGN | APP'D |
|----|-------------|--------|-------|
| 1 | | | |
| 2 | | | |
| 3 | | | |
| 4 | | | |
| 5 | | | |

SHEET 36 OF 39