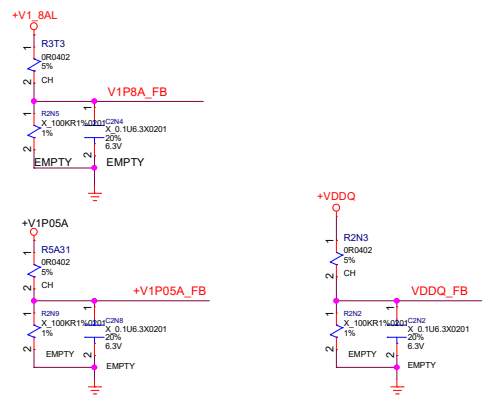
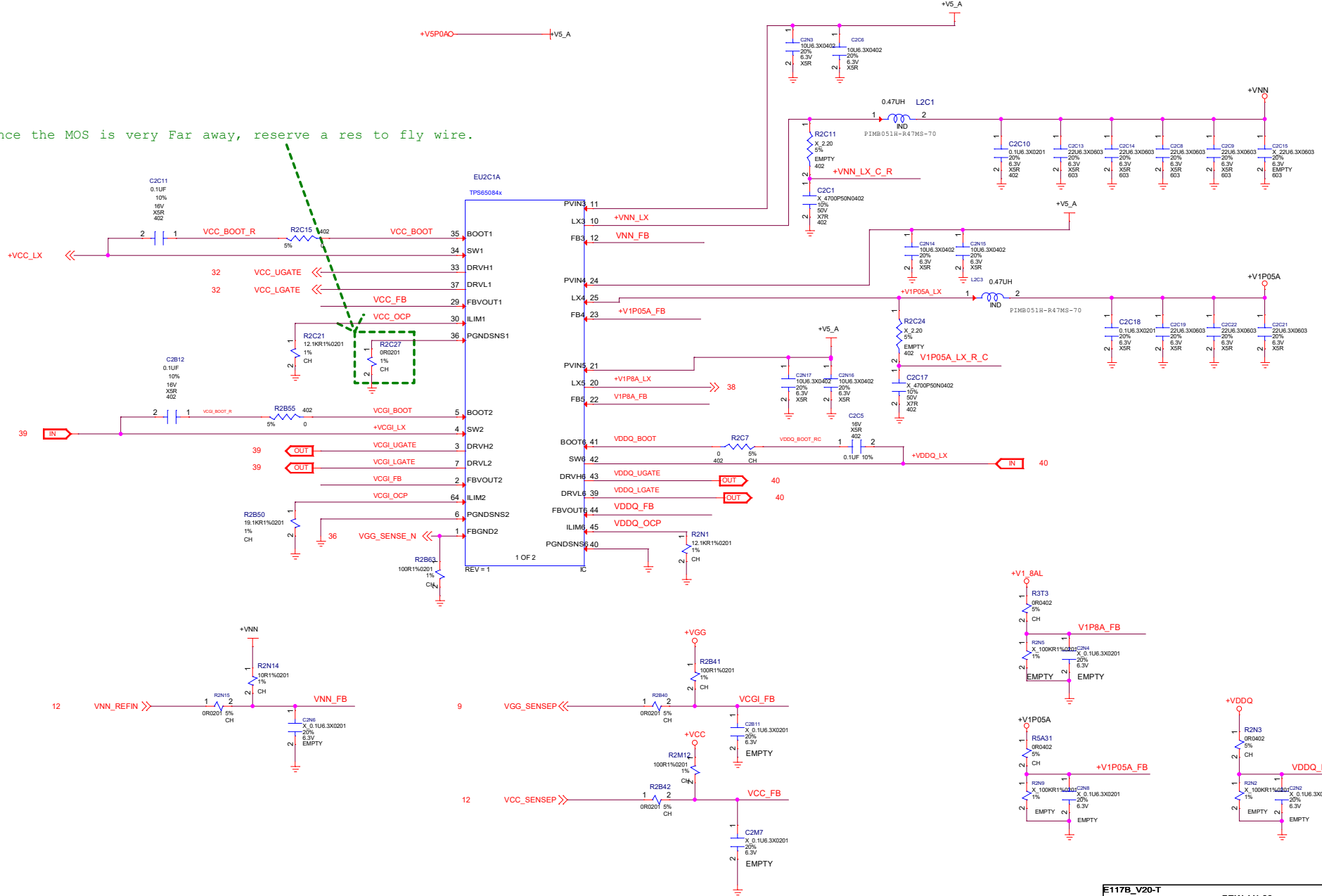
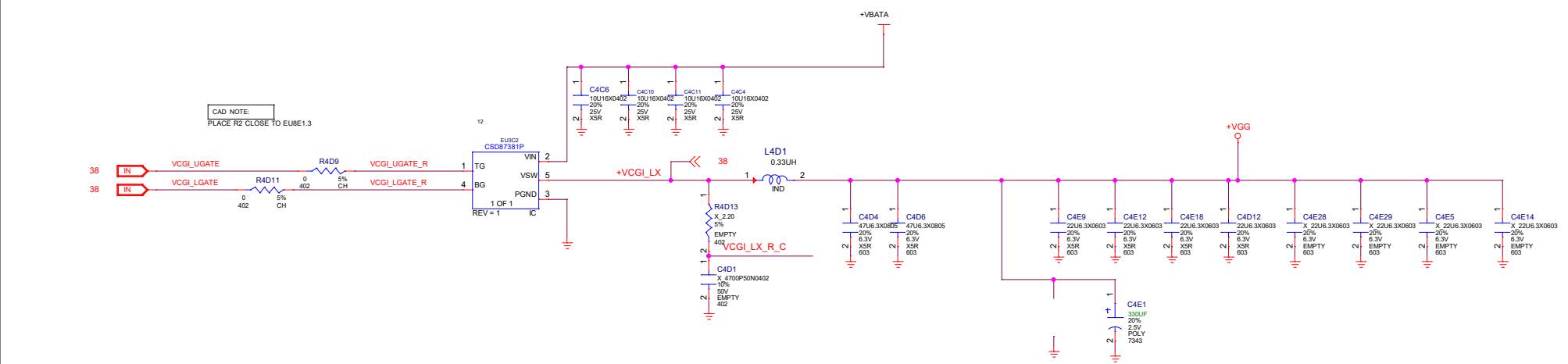
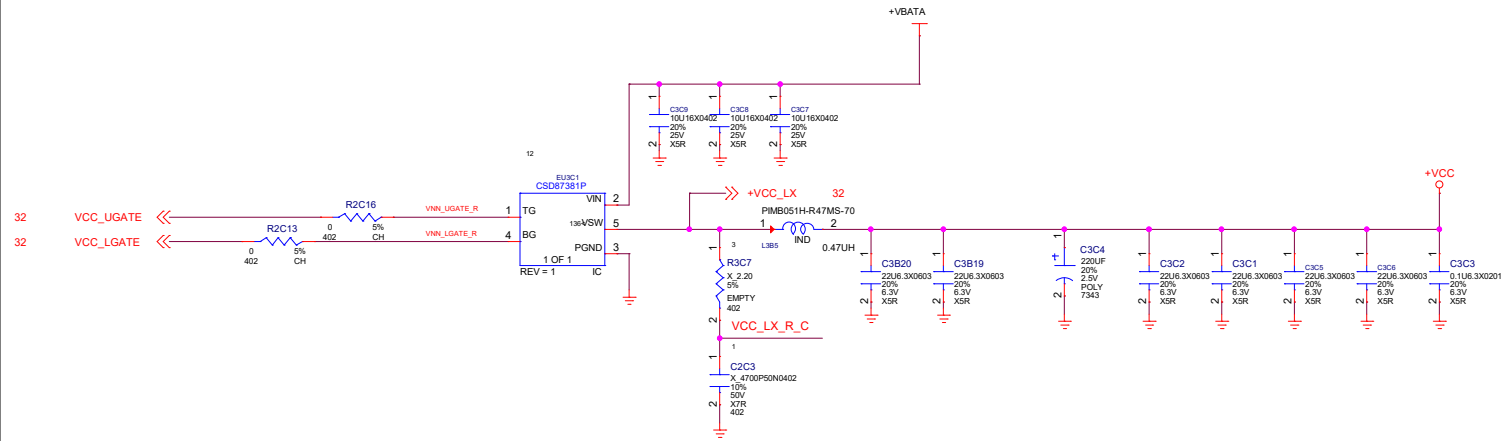


Since the MOS is very Far away, reserve a res to fly wire.

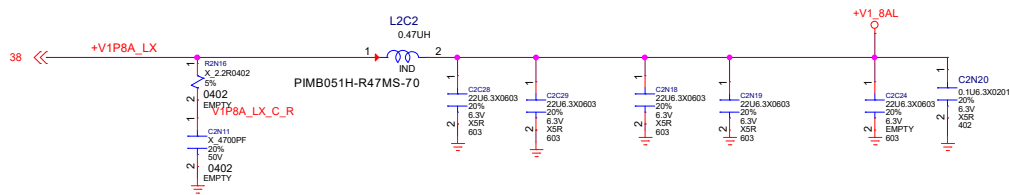
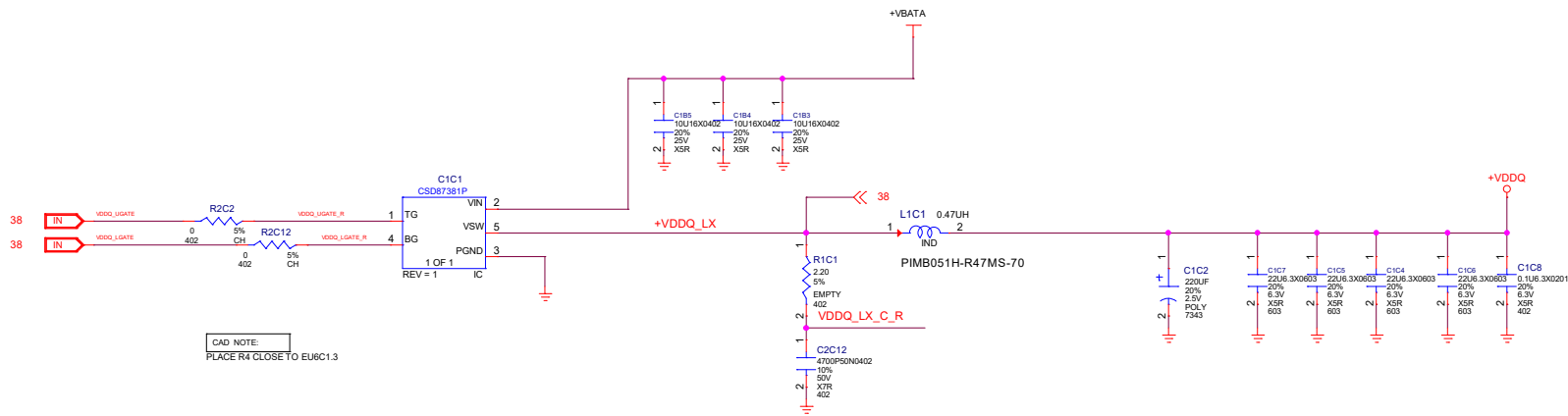


E117B_V20-T				BRW_V1.00	
Title Cover Sheet					
Size	Document	Number			Rev
Customer					A
Date:	Monday, February 01, 2021			Sheet	38 of 42

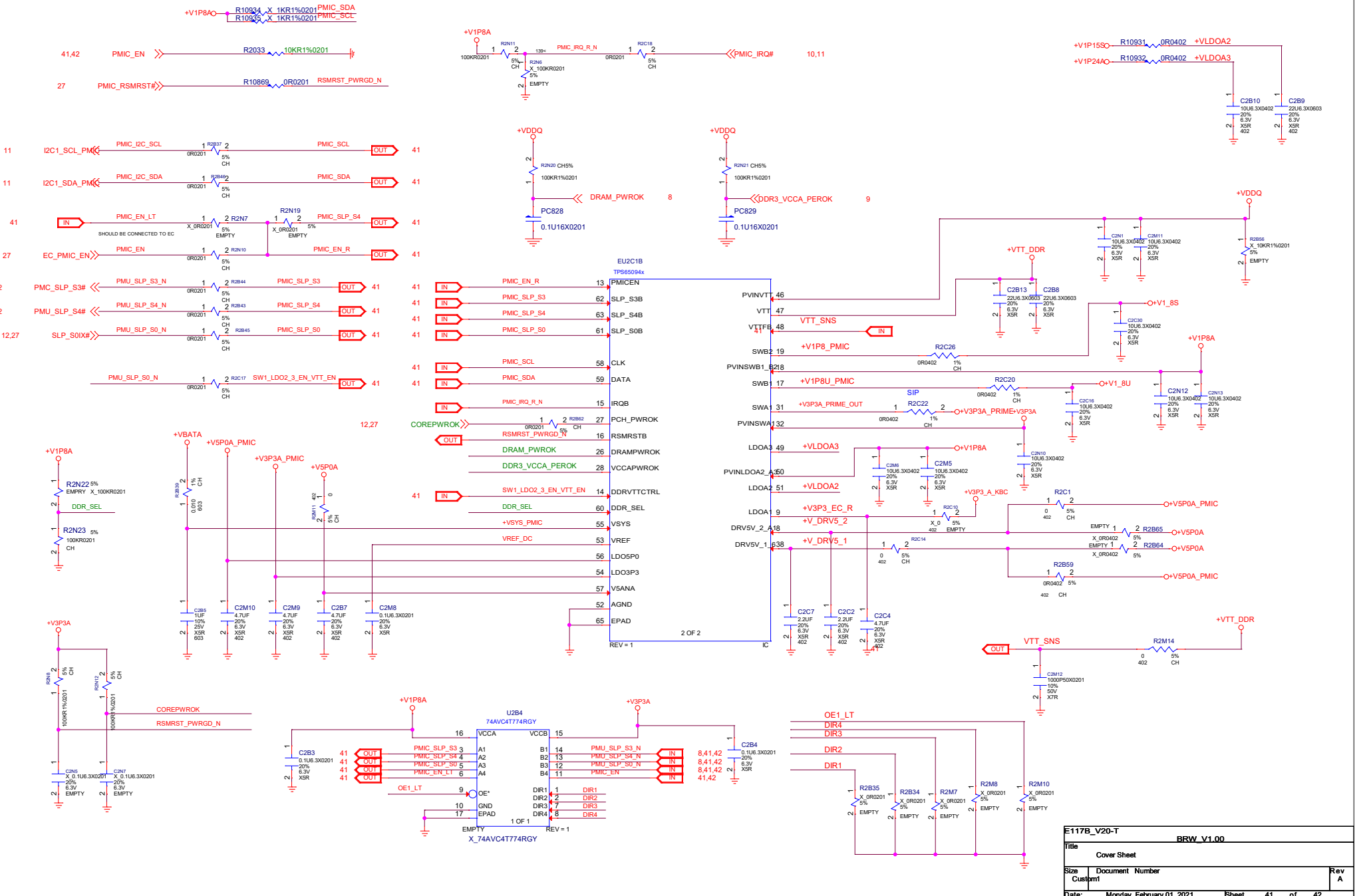


CAD NOTE:
 PLACE R2 CLOSE TO EU8E1.3

E117B_V20-T		BRW_V1.00	
Title Cover Sheet			
Size	Document	Number	Rev
Custom			A
Date:	Monday, February 01, 2021	Sheet	39 of 42



E117B_V20-T		BRW_V1.00	
Title		Cover Sheet	
Size	Document Number	Rev A	
Customer			
Date:	Monday, February 01, 2021	Sheet	40 of 42



E117B_V20-T		BRW_V1.00	
Title			
Cover Sheet			
Size	Document	Number	Rev
Customer			A
Date:	Monday, February 01, 2021	Sheet	41 of 42