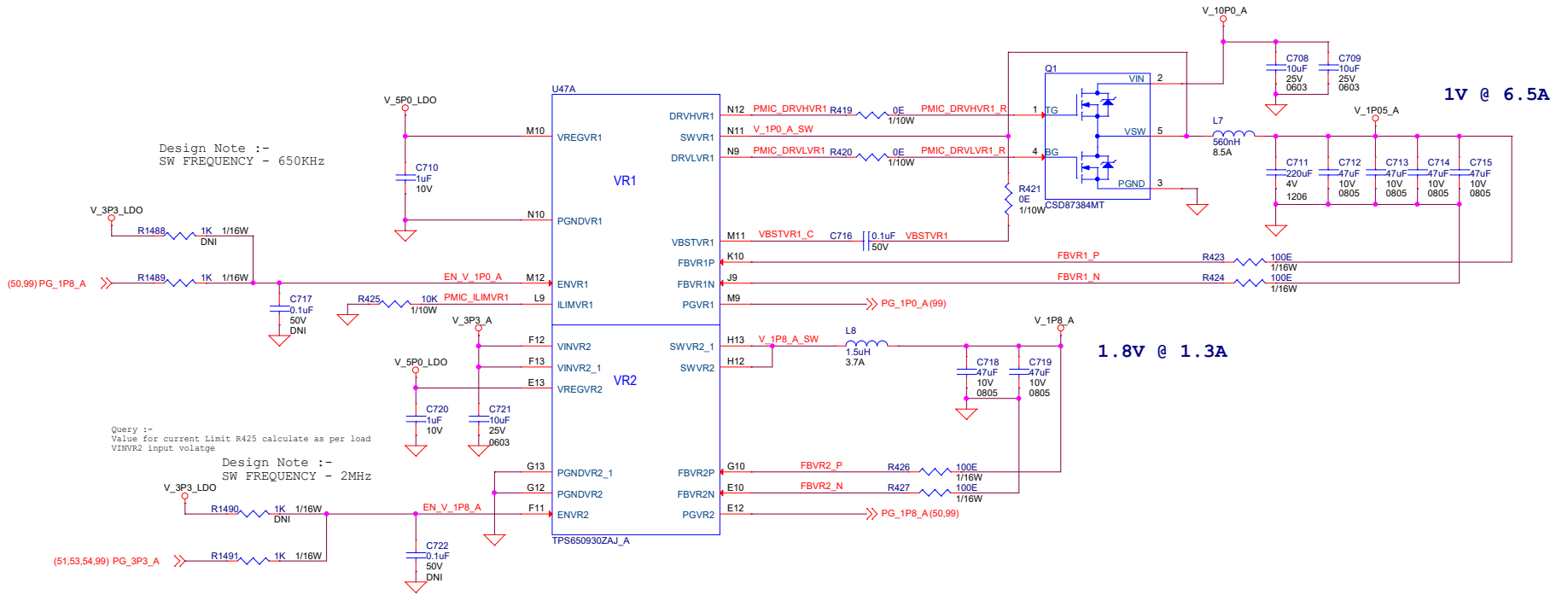


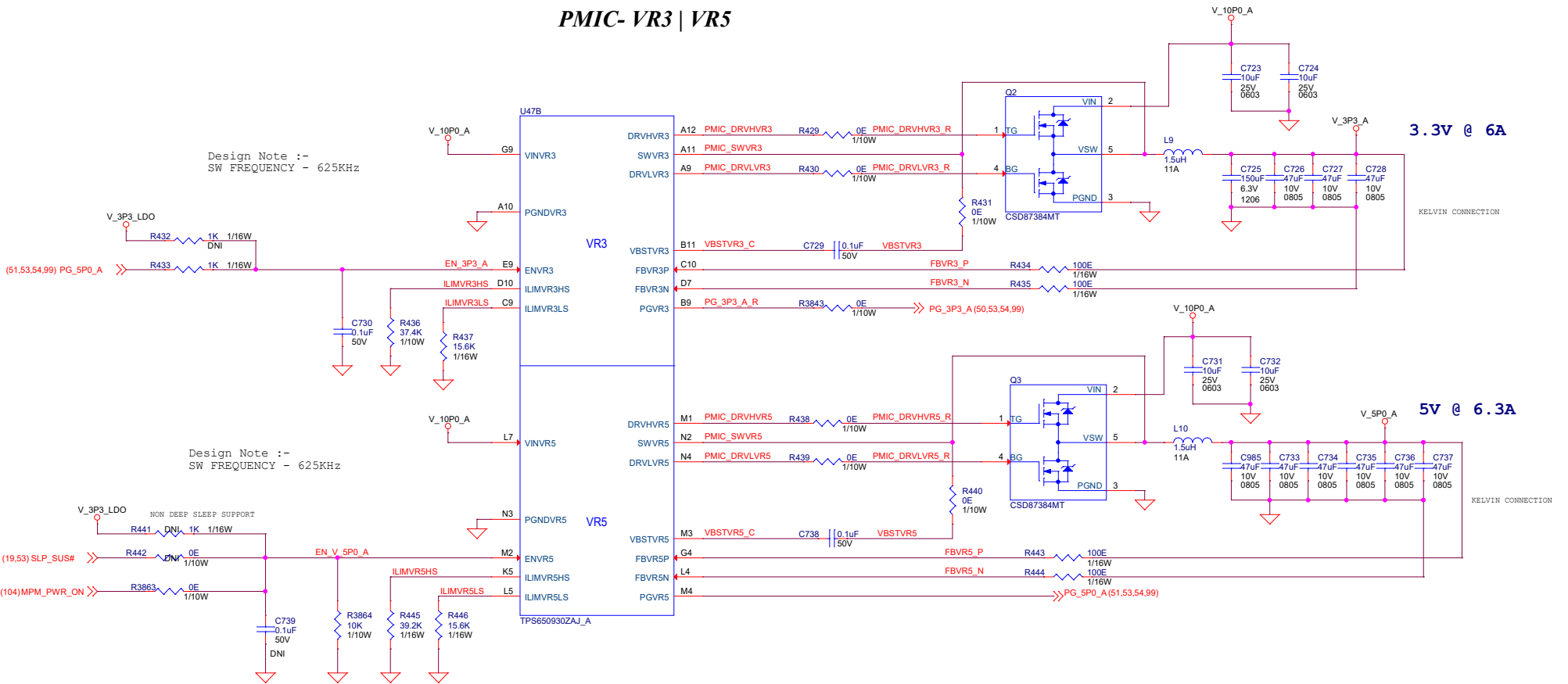
PMIC- VR1 | VR2



Product: MPM		P/N: <P/N>	
Title: P050 PMIC [1/5] - VR1/ VR2			Rev: A
Author: Happiest Minds		Date: Thursday, November 24, 2022	Sheet 50 of 105

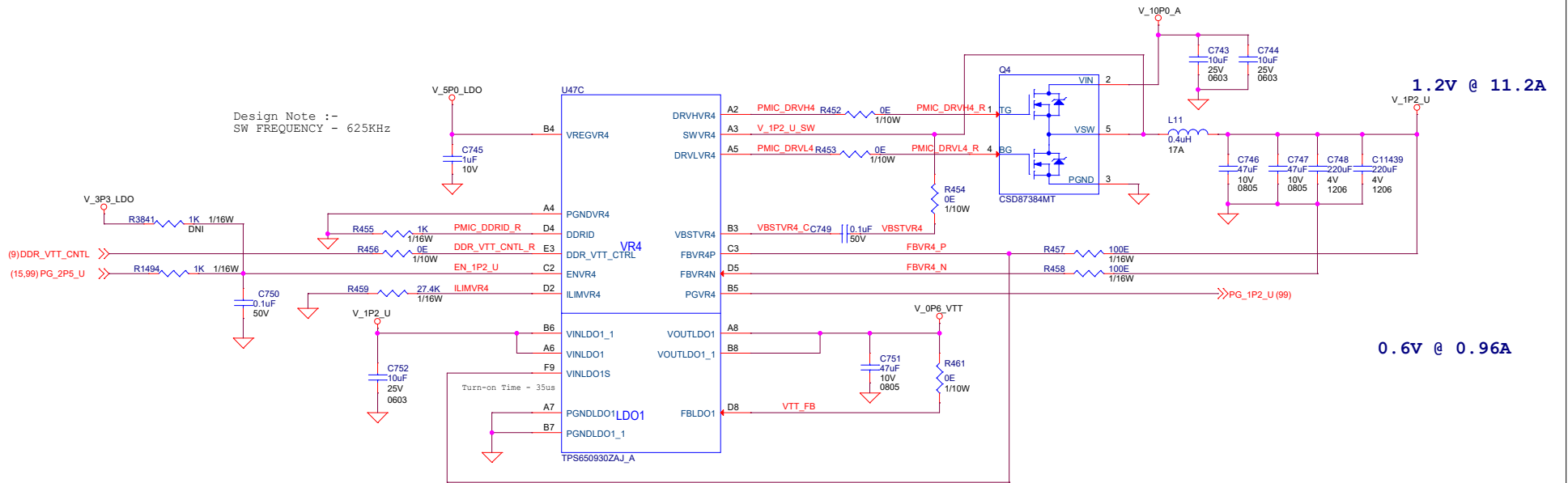
PMIC- VR3 | VR5

Design Note :-
SW FREQUENCY - 625KHz



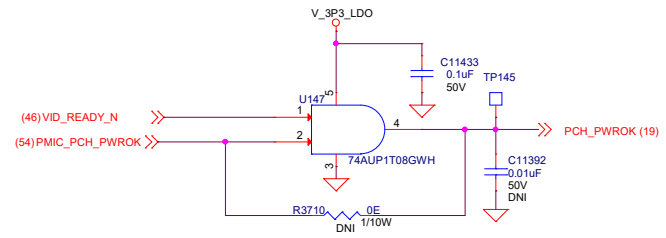
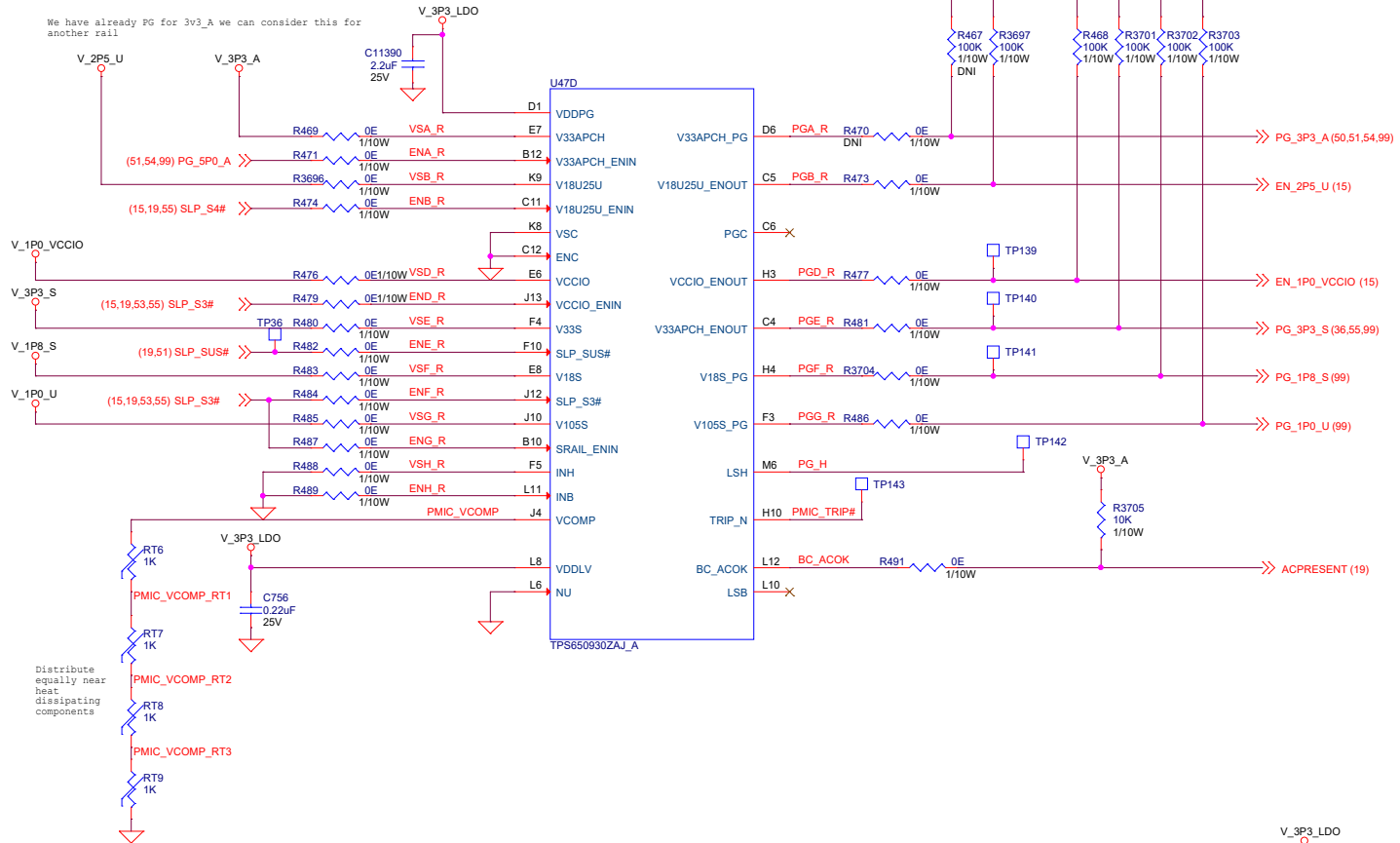
Product: MPM		P/N: <P/N>	
Title: P051 PMIC [2/5] - VR3/ VR5			Rev: A
Author: Happiest Minds		Date: Thursday, November 24, 2022	Sheet 51 of 105

PMIC-VR4 | VTT



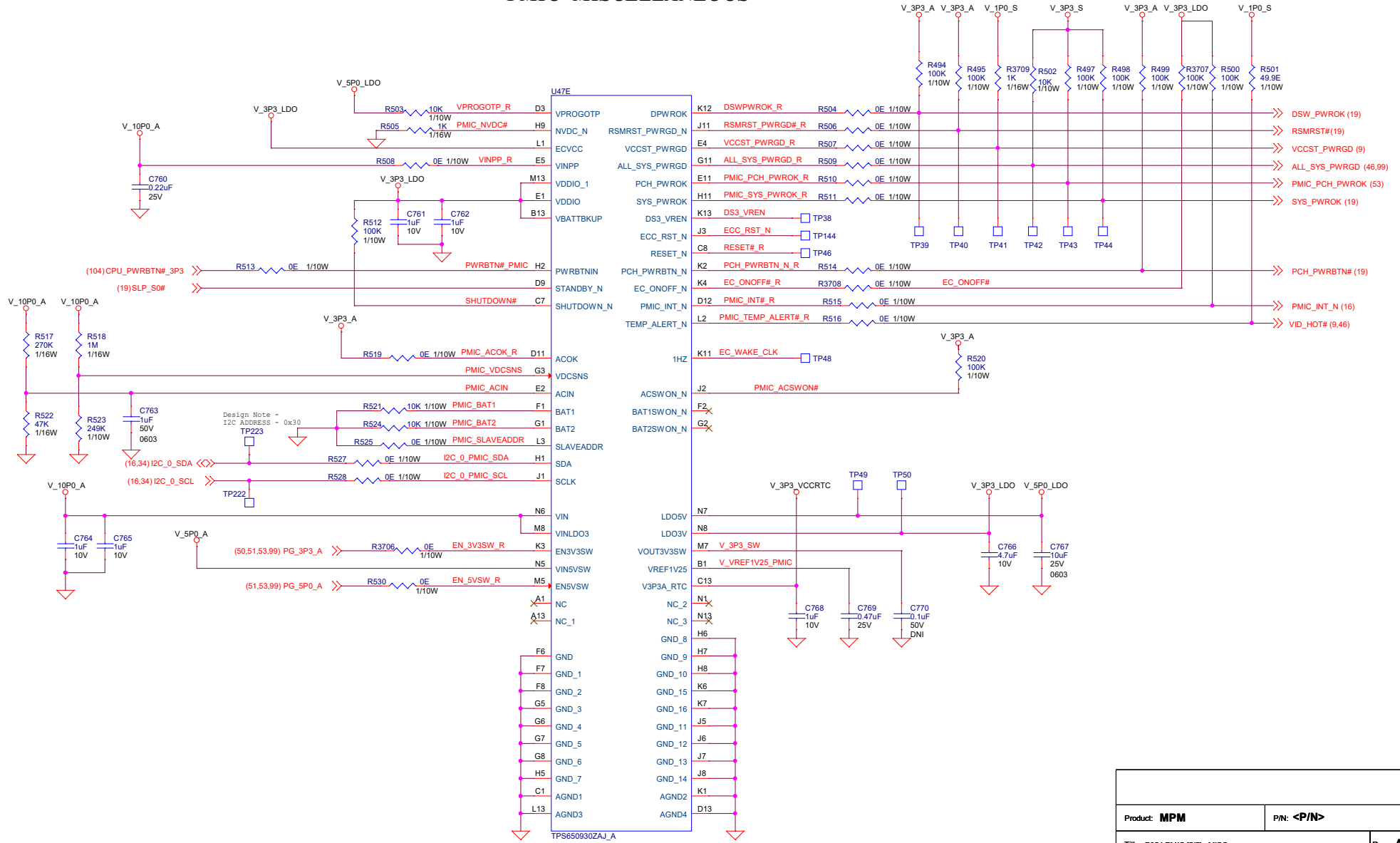
Product: MPM		P/N: <P/N>	
Title: P052 PMIC [3/5] -VR4/ VTT/ 2V5			Rev: A
Author: Happiest Minds	Date: Thursday, November 24, 2022	Sheet 52 of 105	

PMIC- COMAPRATOR & SEQUENCING



Product: MPM		P/N: <P/N>	
Title: P053 PMIC [4/5] - COMPARATOR			Rev: A
Author: Happiest Minds		Date: Thursday, November 24, 2022	
Sheet 53 of 105			

PMIC- MISCELLANEOUS



Product: MPM		P/N: <P/N>	
Title: P054 PMIC [5/5] - MISC			Rev: A
Author: Happiest Minds	Date: Thursday, November 24, 2022	Sheet 54 of 105	