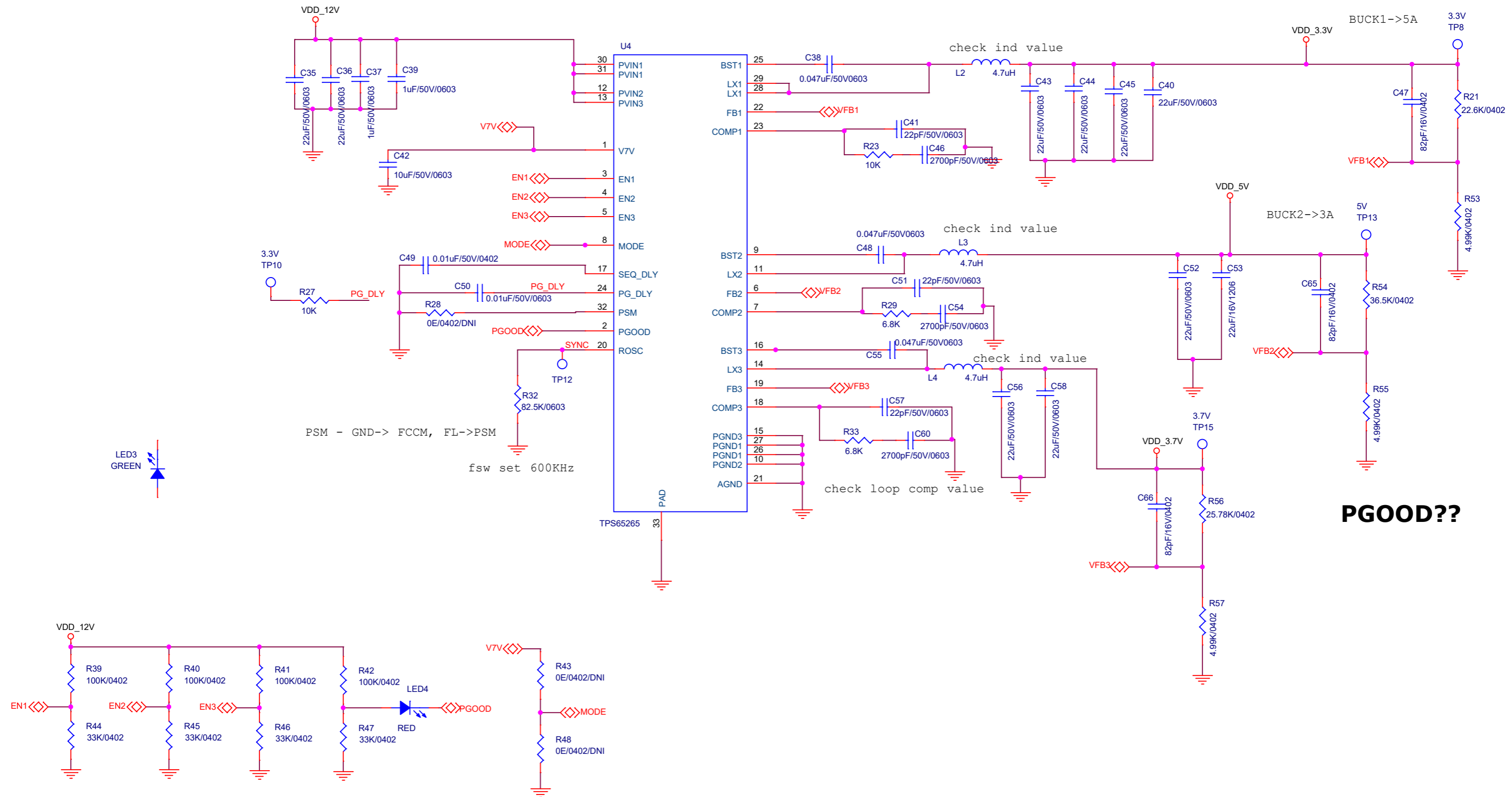


12V TO 3.3V, 5V & 3.7V VOUT

PROVIDE MARKING FOR 12V, 5V, 3.7V, 3.3V

BUCK1->5A, BUCK2->3A, BUCK3->2A

ELE OR CER CAP?



PSM - GND-> FCCM, FL->PSM

fsw set 600KHz

PGOOD??

MODE - FL, BUCK1, 2, 3 CONTROLLED SEPARATELY

Title		
<Title>		
Size	Document Number	Rev
A3	<Doc>	<RevC>
Date:	Tuesday, March 05, 2024	Sheet 3 of 3