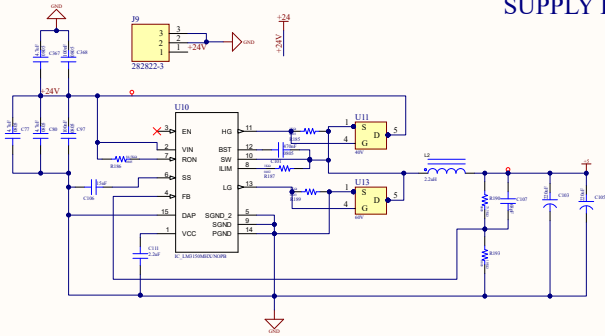
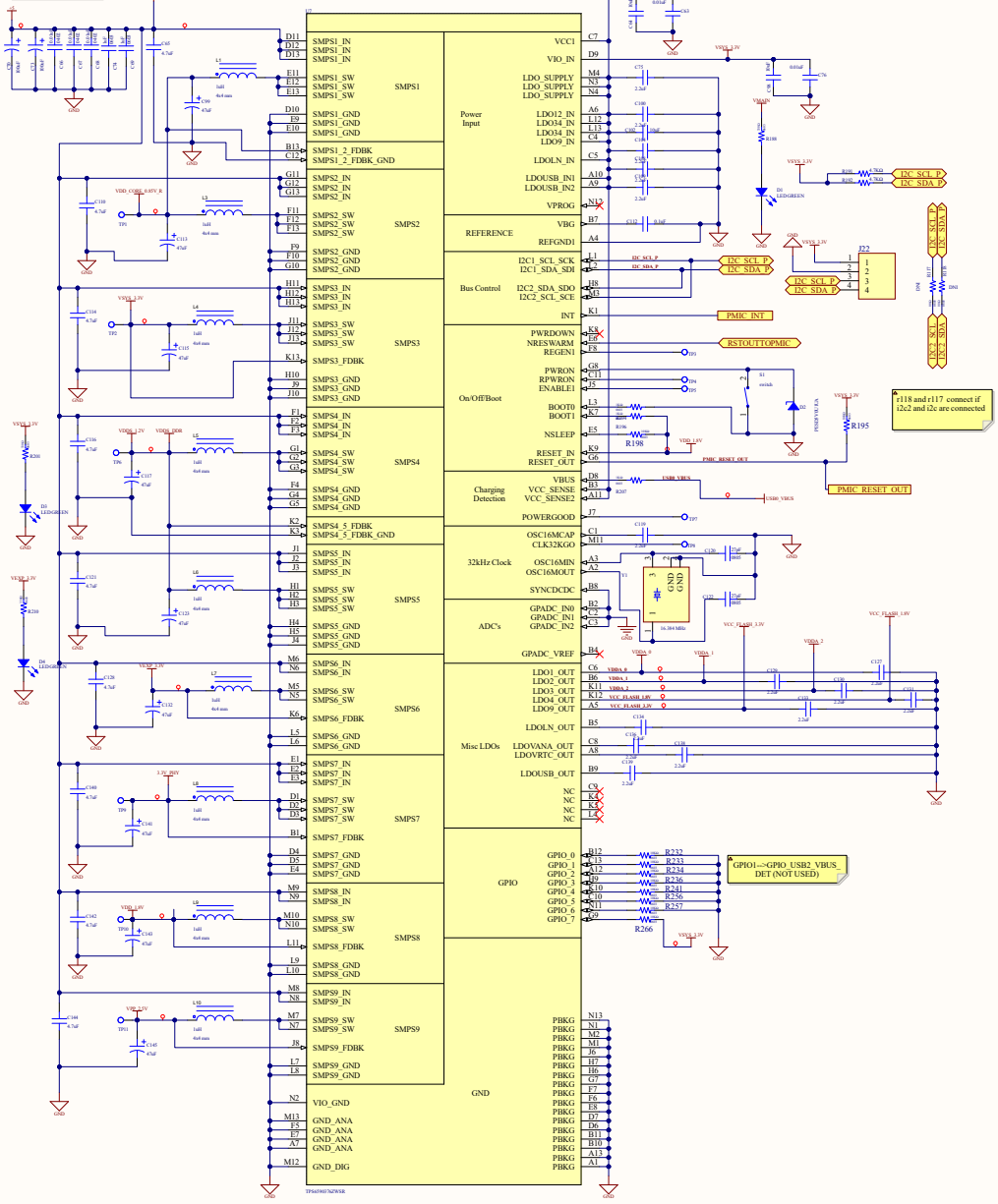


SUPPLY IN



USING ISOLATED +5V SUPPLY FOR PMIC



PMIC

POWER SUPPLY SECTION

Size	Number	Revision
A2	1057023	
Doc#	1057023	Sheet of
File	C:\Users\admin\Desktop\temp_SchDoc\	Drawn By: