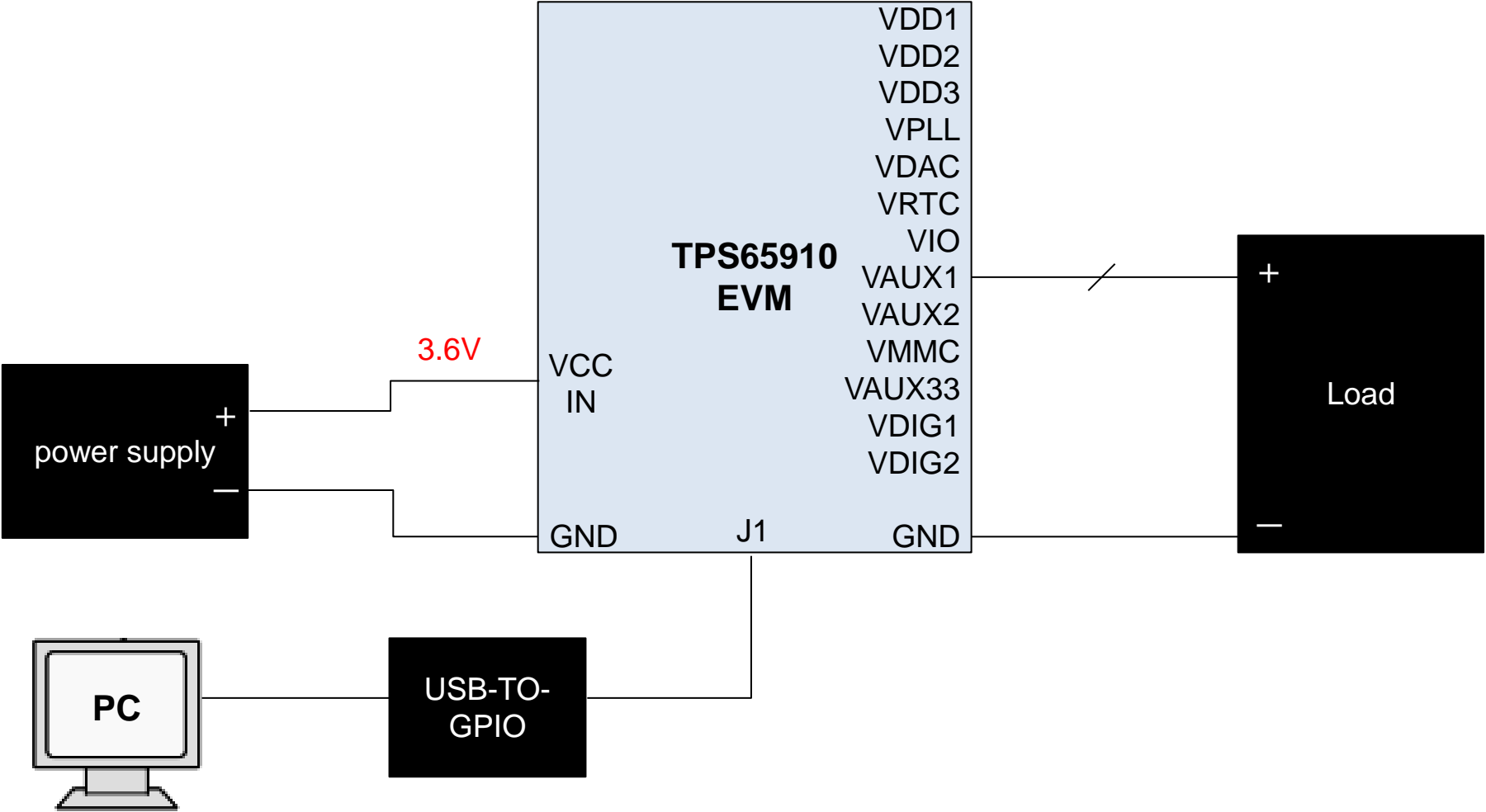


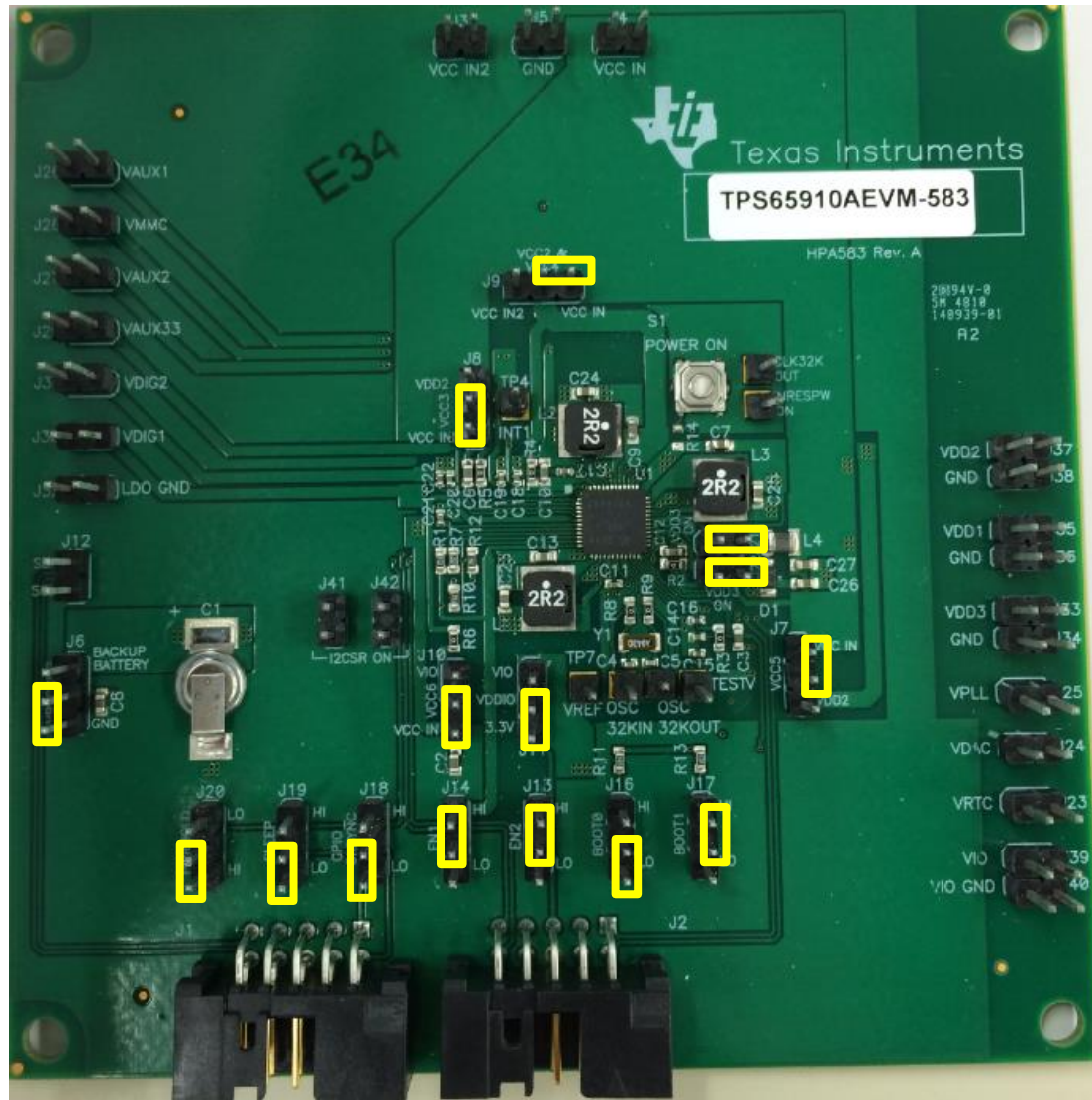
- TPS65910EVM
- USB-TO-GPIO
- USB-TO-USB
micro cable
- 10pin ribbon cable
- PC Windows 7
 - NET Framework4/3.5.1
 - LabView ran time



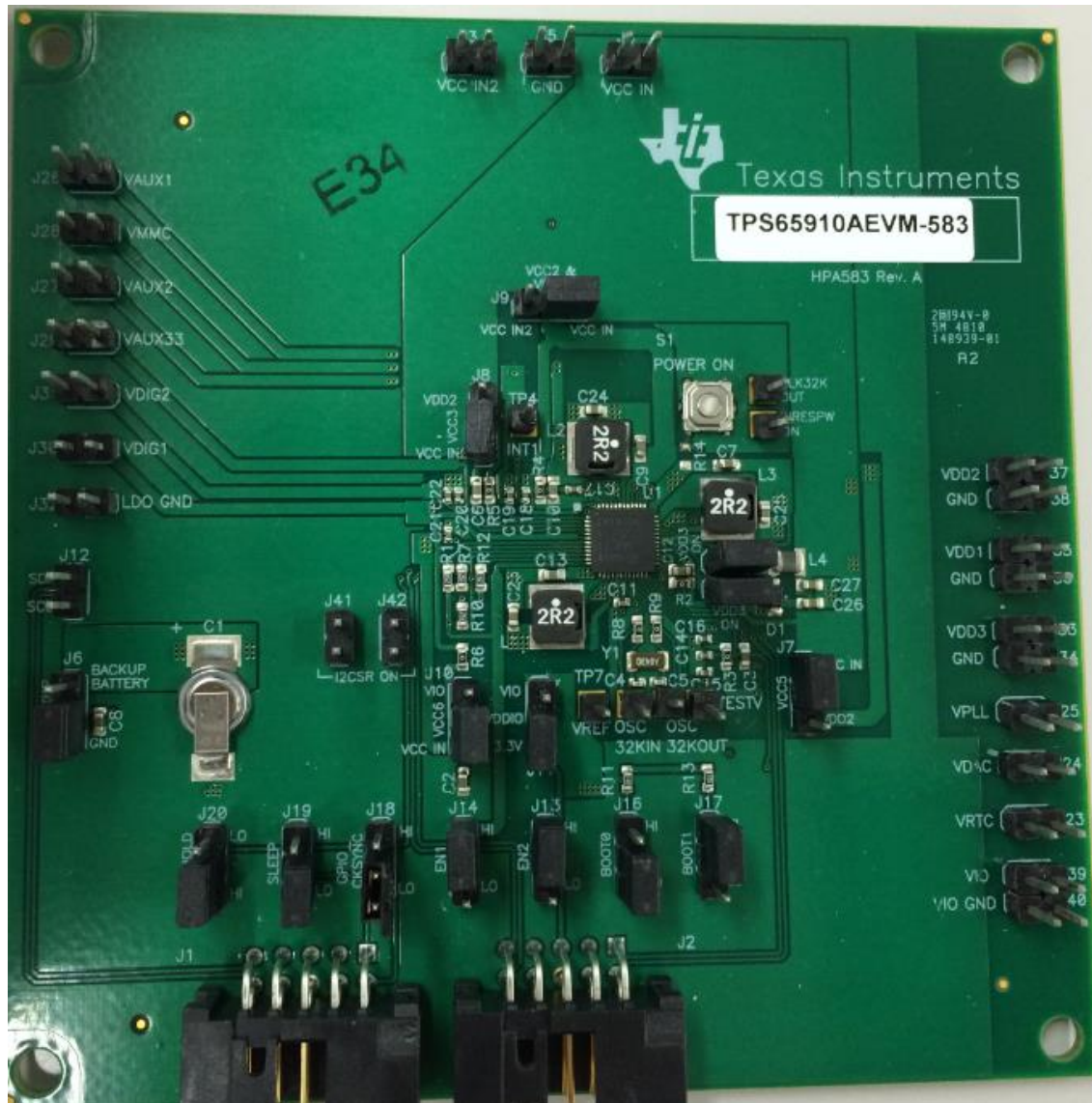
Block Diagram

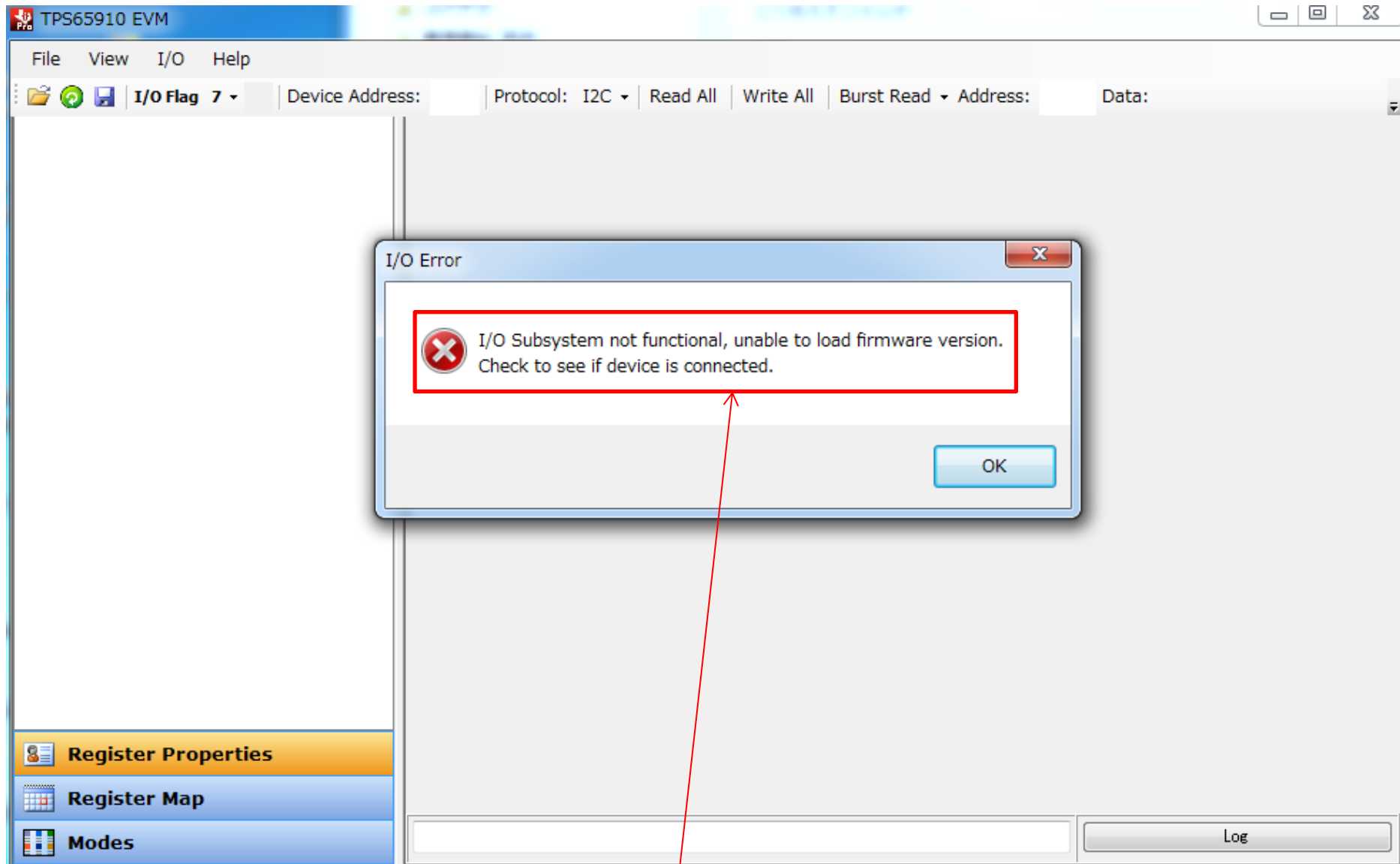


jumper setting



jumper setting





Get an error even though it has already been connected to the Device.